

Mitsubishi

TF035

Type Turbos

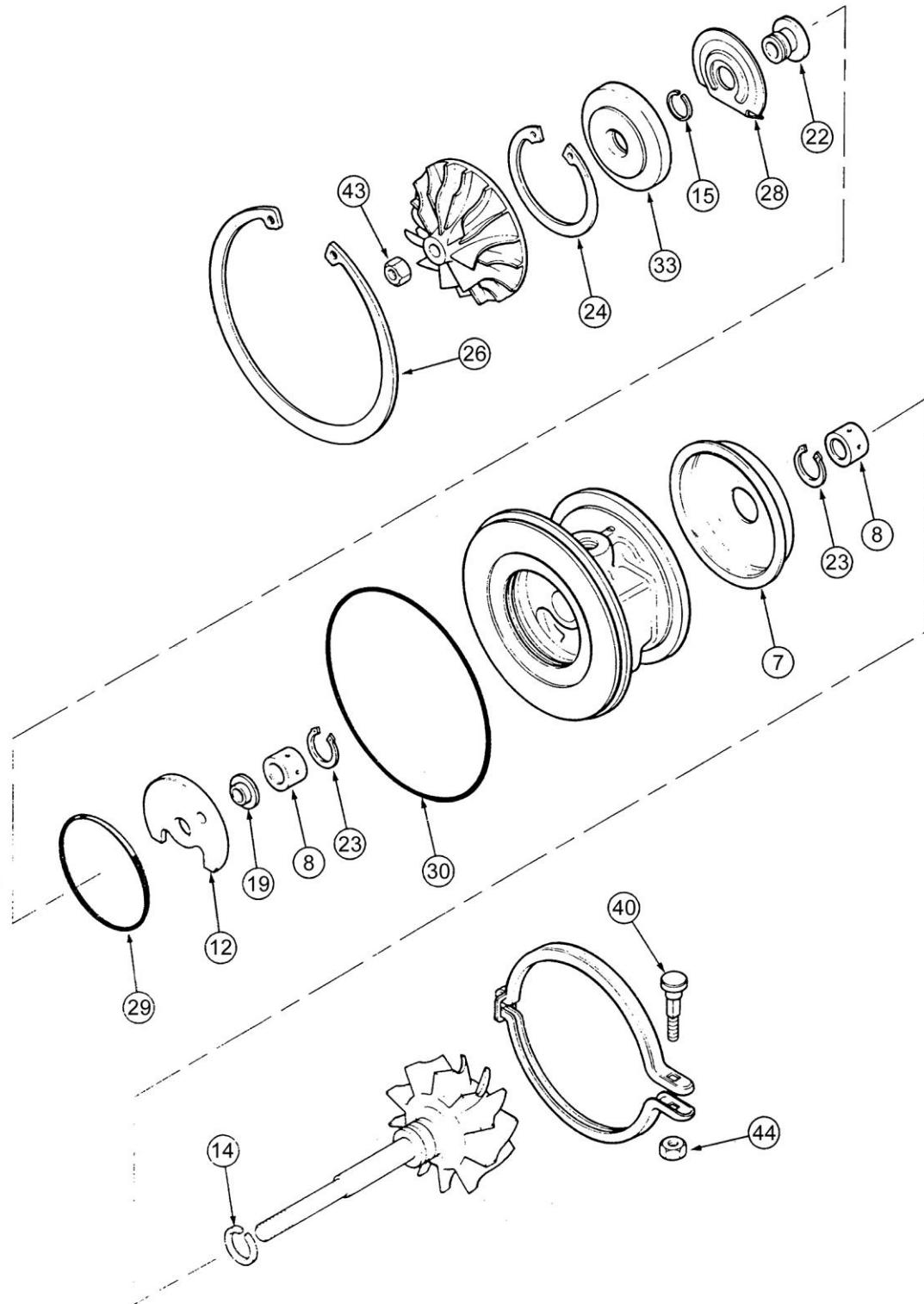
MHI Model Code Explained

*The MHI model code gives the main component parts for each turbo build e.g.
TF035HM-13T-6 means...*

TF035	HM-	13T-	6
Turbo Family	Shaft & Wheel designation	Compressor wheel designation	Turbine housing A/R

TF035 Type

Component Parts Common



TF035 Type

Repair Parts & Service Kits

All parts are available for purchase as individual components
or in the following popular Repair Kits

Key	part number	Description	qty in Turbo	1401-635-750	1401-635-751
8	1401-635-100	Bearing TF035 Std OD/Std ID	2	2	2
12	1401-404-320	Thrust Bearing (TD04)	1	1	1
14	1401-404-160	Piston Ring (TD04 Turbine End)	1	1	1
15	1401-404-170	Piston Ring (TD04 Comp End)	1	1	1
19	1401-404-240	Thrust Collar TD04/TF035	1		1
22	1401-635-200	Thrust Flinger TF035/TD04	1		1
23	1401-404-140	Retaining Ring TD04 J-Brg	2	2	2
23	1401-404-141	Spiral Retaining Ring (TD04 As)	2	2	2
24	1401-404-145	Insert snap ring TD04	1		1
29	1401-404-150	O Ring (TD04 Seal Plate)	1	1	1
30	1401-404-155	O Ring (TD04 Comp Cover)	1	1	1
33	1401-635-300	Insert /Seal Plate TF035/TD04	1		1
43	1401-404-351	Shaft Nut LHT	1	1	1
-	1900-000-042	Gasket (Oil Outlet TD04/05/06)	1		1

Description of Repair Kits available

1401-635-750 Repair Kit (Minor)

1401-635-751 Repair Kit (Major)

For oversize Journal Bearings and piston rings, see page 8

TF035 Type

Oversize Repair Parts

Journal Bearings

TF035		
Standard	Standard	1401-635-100
+ 0.005"	- 0.005"	1401-635-110
+ 0.005"	Standard	1401-635-114
Standard	- 0.005"	1401-635-117
+ 0.010"	Standard	1401-635-124

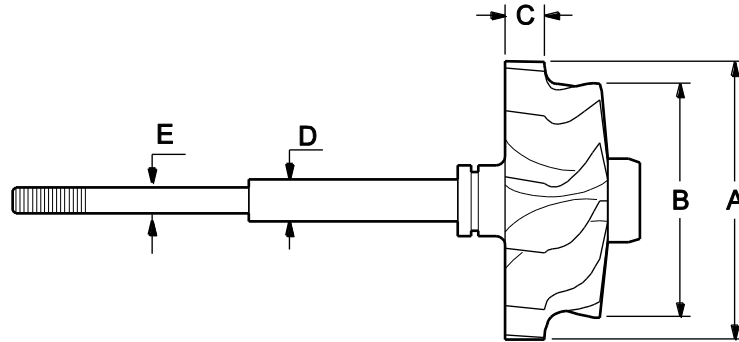
Piston Rings

TF035		Turbine	Compressor
OD	Width		
Standard	Standard	1401-404-160	
Standard	Standard	1401-404-162	
+ 0.010"	Standard	1401-404-180	
Standard	+ 0.010"	1401-404-181	
+ 0.010"	+ 0.010"	1401-404-182	
Standard	Standard		1401-404-170

TF035 Type

Major Replacement Parts

Shaft & Wheel



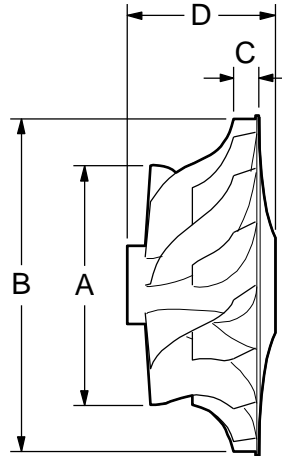
OE Number	Melett Part No.	Inducer Diameter ØA	Exducer Diameter ØB	Tip Height C	Journal Bearing ØD	Comp. Wheel Bore ØE	Blades	Type of Shaft
49135-30100	1401-635-435	42.5	35.0	6.5	7.0	5.0	11	Straight
Not Known	1401-635-437	43.0	37.7	7.0	7.0	5.0	11	Straight
Not Known	1401-635-436	43.2	37.8	7.0	7.0	5.0	11	Straight

Melett's fully qualified Engineers are available to answer any technical enquiry regarding limits, tolerances, and turbo set-up configurations. Email: Engineer@melett.com

TF035 Type

Major Replacement Parts

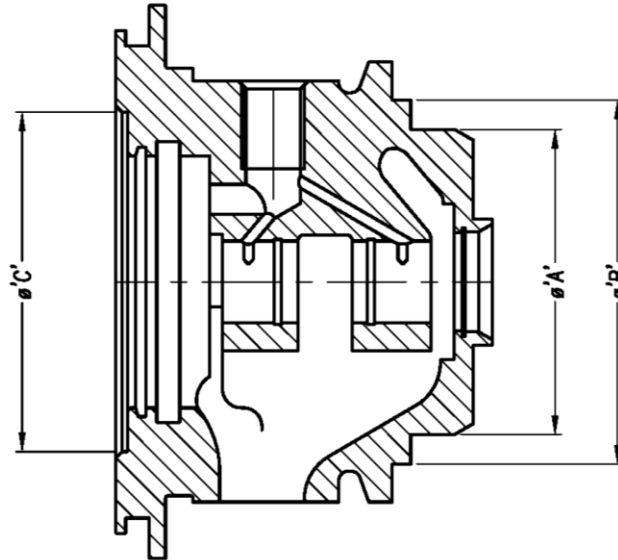
Compressor Wheel



OE Number	Melett Part No.	Inducer Diameter ØA	Exducer Diameter ØB	Tip Height C	Total Height D	Blades	Flatback/ Superback /trim	Shaft Bore Ø
49135-00015	1401-635-427	38.3	51.0	5.1	24.2	6\6	Superback	5.0
49135-00016	1401-635-426	37.8	49.0	5.1	24.2	6\6	Superback	5.0

TF035 Type

Bearing Housings



OE Number	Melett Part No.	A Dia (mm)	B Dia (mm)	C Dia (mm)	D Dia (mm)	E Dia (mm)	F Oil Inlet	G Oil Outlet	H Water
49377-25100	1401-635-460	45.50	55.00	50.00	88.00	80.00	M10x1.25	2 - M6x1	M12 X 1.25

Note: Other bearing housings are due into stock throughout 2009 – ask Melett Sales for latest availability.

Heat Shield

Melett Number	Description	Diameter	Depth	For B/Hsg
1401-404-342	Heat Shield (Water Cooled)	54.0mm	5.0mm	1401-404-464 1401-635-464

TF035 Type Turbine Housings



Make	Model	Turbo Model	To fit turbo...	OE Housing No.	Melett Number
Mitsubishi	Pajero 2.8L	TF035	49135-03130	49135-12201	1401-635-891
Mitsubishi	Canter	TF035	49135-03300	49135-12300	1401-635-892
Mitsubishi	Pajero 3.2L	TF035	49135-03410	49135-12410	1401-635-893
Mitsubishi	L200 2.5L	TF035	49135-02110	49135-13601	1401-635-890
Mitsubishi	Pajero 2.5L	TF035	49135-02100	49135-13601	1401-635-890