



E: info@melett.com
W: www.melett.com

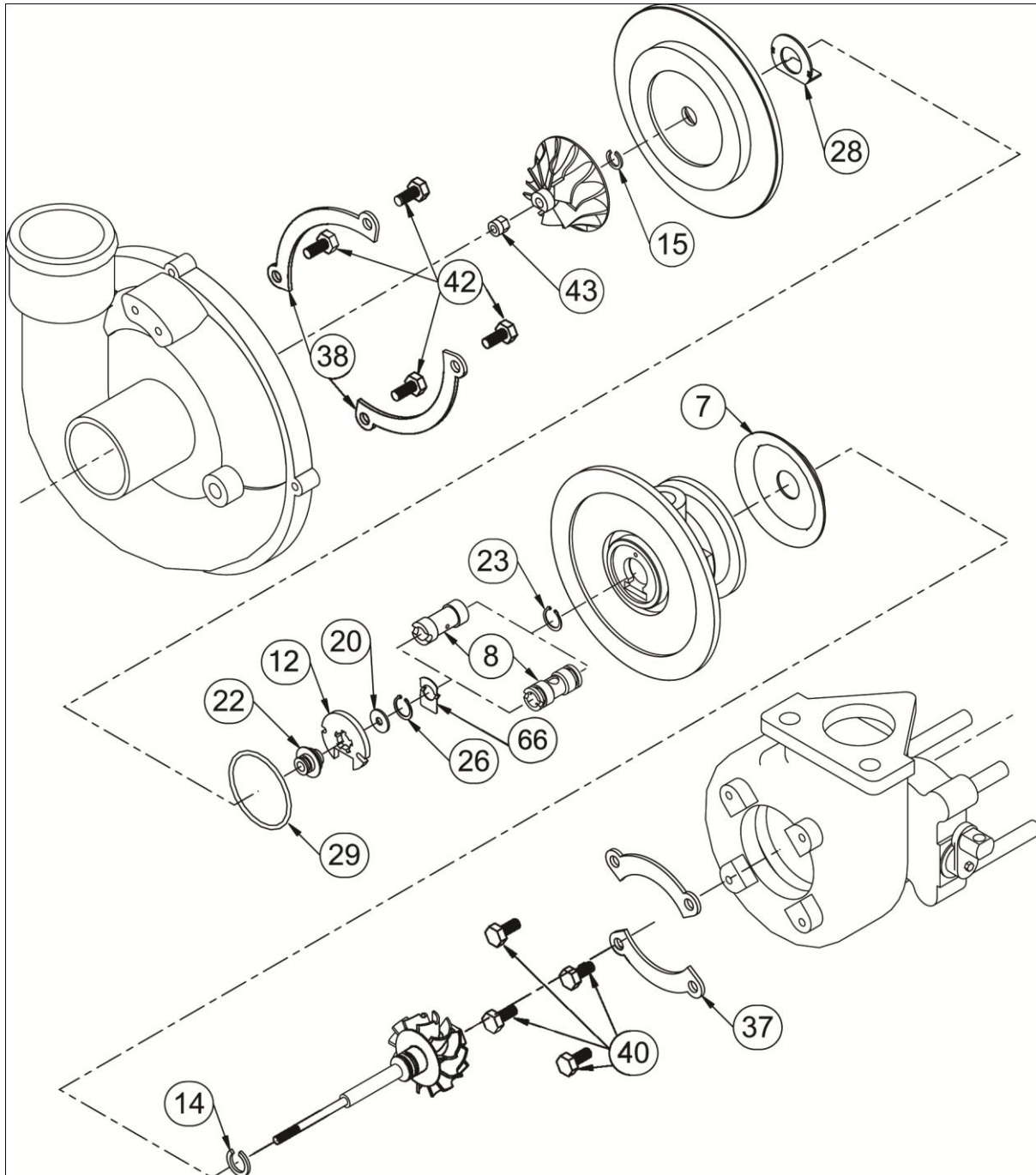


Borg Warner

K03 K04
Type Turbos

K03 K04 Type

Common Service Parts



K03 K04 Type

Repair Kits and Service Parts

All parts are available for purchase as individual components
or in the following popular Repair Kits

Key	Part number	Description	Qty in Turbo	1302-003-750	1302-003-751	1302-003-752	1302-003-753	1302-003-754
8	1302-003-100	Journal Bearing (Twin Oil feed)	1		1		1	
8	1302-004-100	Journal Bearing (Single Oil feed)	1			1		1
12	1302-003-320	Thrust Bearing	1		1	1	1	1
14	1302-003-160	Piston Ring Turbine	1		1	1	1	1
15	1302-003-170	Piston Ring Compressor	1		1	1	1	1
20	1302-003-220	Thrust Washer (Bore 4.6 dia)	1	1			1	1
22	1302-003-200	Thrust Flinger (Bore 4.6 dia)	1	1			1	1
23	1302-003-140	Retaining Ring J-Brg	1		1	1	1	1
26	1302-003-141	C Clip (K03/4 Lockplate retainer)	1		1	1	1	1
29	1302-003-150	O Ring (Seal Plate)	1		1	1	1	1
40	1302-003-600	Bolt - Turbine	6		6	6	6	1
42	1302-003-610	Bolt Comp Cover	4		4	4	4	6
43	1302-003-351	Shaft Nut (4.5mm LHT)	1		1	1	1	1
66	1302-003-290	Anti-Rotation Plate	1		1	1	1	1
-	1302-003-790	Copper Sealing Washer K03	1		1	1	1	4

Description of Repair Kits available

- 1302-003-750** Thrust Kit K03/04 to replace 5303-711-0500
- 1302-003-751** Repair Kit K03/04 (Twin Feed) to replace 5303-711-0001
- 1302-003-752** Repair Kit K03/04 (Single feed) to replace 5303-711-0000
- 1302-003-753** Repair Kit (Major) K03/04 (Twin Feed)
- 1302-003-754** Repair Kit (Major) K03/04 (Single Feed)

For oversize bearings and piston rings, see Page 30

K03 K04 Type

Oversize Repair Parts

Journal Bearings

K03/K04		Single feed	Twin feed
Standard	Standard	1302-004-100	1302-003-100
Standard	- 0.005"	1302-004-117	1302-003-117
Standard	- 0.010"	1302-004-127	1302-003-127

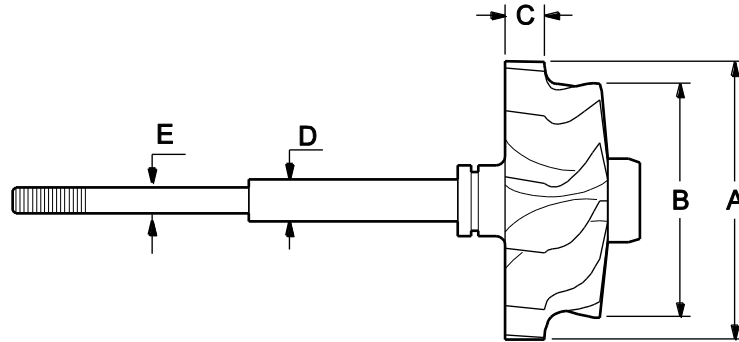
Piston Rings

K03/4		Turbine	Compressor
OD	Width		
Standard	Standard	1302-003-160	
+ 0.010"	Standard	1302-003-180	
+ 0.010"	+ 0.010"	1302-003-182	
Standard	+ 0.010"	1302-003-181	
Standard	Standard		1302-003-170

K03 K04 Type

Major Replacement Parts

Shaft & Wheels



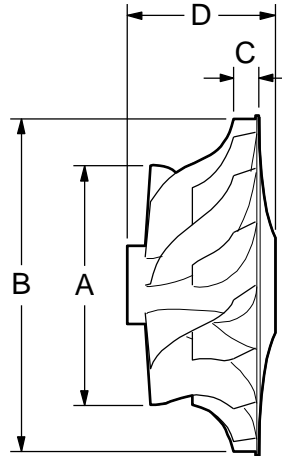
OE Number	Melett Part No.	Inducer Diameter A	Exducer Diameter B	Tip Height C	Journal Bearing D	Comp. Wheel Bore E	Blades	Type of Shaft
K03								
5303-120-5016	1302-003-442	45.0	33.0	6.3	7.0	4.6	11	Straight
5303-120-5029	1302-003-438	45.0	38.0	6.8	7.0	4.6	11	Straight
5303-120-5008	1302-003-435	45.0	40.3	7.7	7.0	4.6	11	Straight
5303-120-5023	1302-003-435	45.0	40.3	7.7	7.0	4.6	11	Straight
5303-120-5015	1302-003-439	45.1	33.5	6.3	7.0	4.6	11	Straight
5303-120-5001	1302-003-440	45.1	33.5	6.3	7.0	4.4	11	Straight
K04								
Turbo K04-32	1302-004-443	43.0	39.7	6.9	7.0	4.6	9	Straight
5304-120-6507	1302-004-444	49.9	43.7	7.6	7.0	4.6	12	Straight
5304-120-5010	1302-004-437	50.0	42.0	6.4	7.0	4.6	11	Straight
5304-120-5008	1302-004-436	50.0	42.0	7.6	7.0	4.6	11	Straight
5304-120-5018	1302-004-441	50.0	44.5	6.5	7.0	4.6	12	Straight

*More Shaft and Wheels are currently in development with many popular parts due into stock through 2010/11.
Please contact Melett Sales for an up to date list of what's available*

K03 K04 Type

Major Replacement Parts

Compressor Wheels



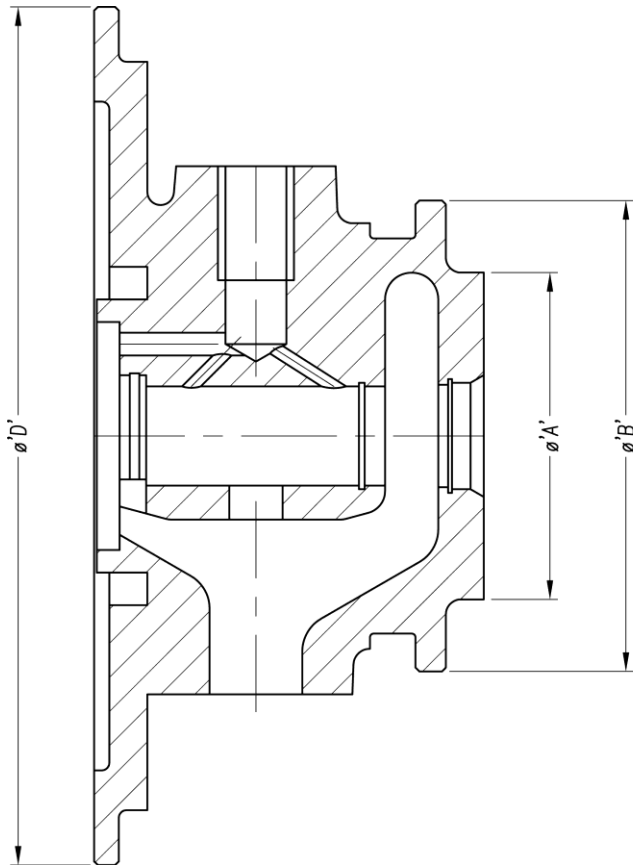
OE Number	Melett Part No.	Inducer Diameter A	Exducer Diameter B	Tip Height C	Total Height D	Blades	Flatback/Superback/trim	Shaft Bore
5303-123-2011	1302-003-401	32.0	46.0	3.2	25.6	4\4	Superback	4.6
5303-123-2016	1302-003-403	33.5	46.0	4.7	25.7	6\6	Superback	4.6
5303-123-2013	1302-003-403	33.5	46.0	4.7	25.7	6\6	Superback	4.6
5303-123-2018	1302-003-403	33.5	46.0	4.7	25.7	6\6	Superback	4.6
5303-123-2021	1302-003-407	33.8	46.0	4.5	25.7	4\4	Superback	4.6
5303-123-2021	1302-003-409	34.5	46.0	4.0	25.7	4\4	Superback	4.6
5304-123-2000	1302-003-408	34.8	50.0	4.5	25.6	6\6	Superback	4.6
5304-123-2005	1302-003-408	34.8	50.0	4.5	25.6	6\6	Superback	4.6
5304-123-2007	1302-003-402	36.0	50.0	4.7	25.6	6\6	Superback	4.6
5304-123-2018	1302-003-402	36.0	50.0	4.7	25.6	6\6	Superback	4.6
5304-123-2202	1302-003-405	37.8	51.0	4.5	25.7	6\6	Superback	4.6
5304-123-2029	1302-003-404	38.1	51.0	5.5	25.7	6\6	Superback	4.6
5304-123-2024	1302-003-406	38.5	51.0	5.5	25.6	6\6	Superback	4.6
5304-123-2201	1302-003-406	38.5	51.0	5.5	25.6	6\6	Superback	4.6
Not Known	1302-003-410	41.2	59.2	4.2	27.7	6\6	Superback	4.6
5304-123-2015	1302-003-411	41.9	56.0	5.9	25.7	4\4	Superback	4.6

*More Compressor Wheels are currently in development with many popular parts due into stock through 2010/11.
Please contact Melett Sales for an up to date list of what's available*

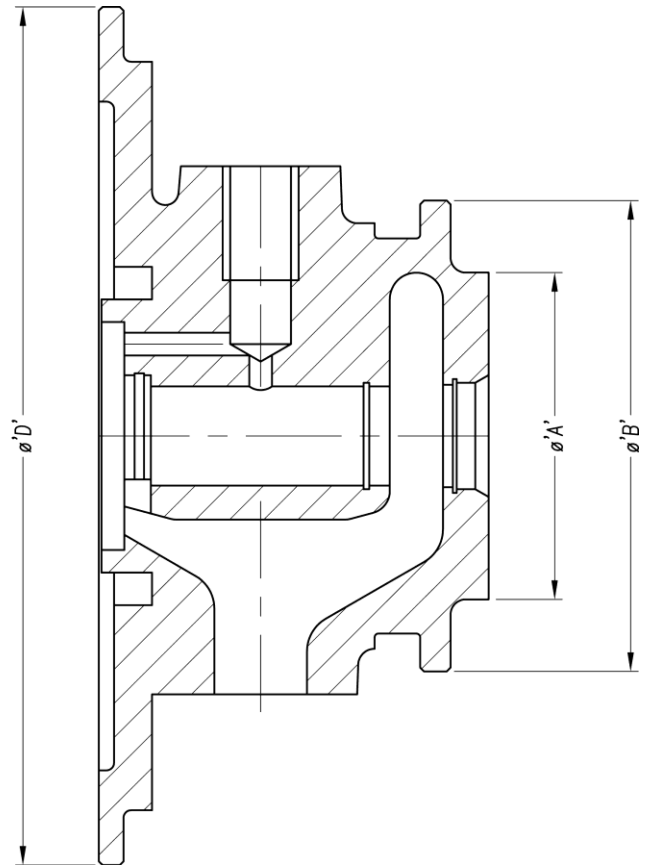
K03 K04 Type

Major Replacement Parts

Bearing Housings



Twin feed



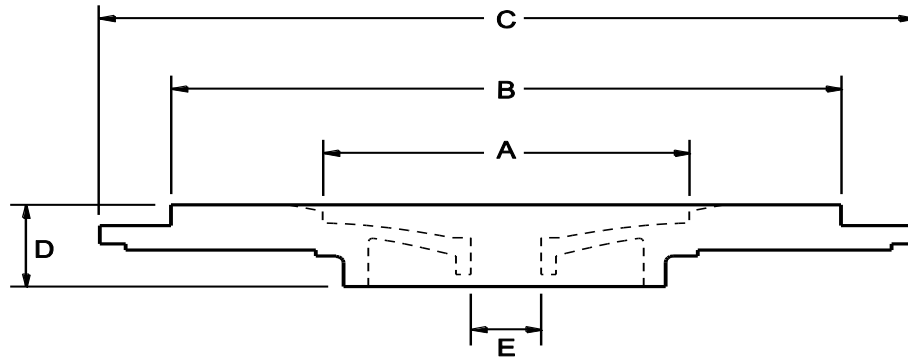
Single feed

OE Number	Melett Part No.	A Dia (mm)	B Dia (mm)	D Dia (mm)	Brg Feed	F Oil Inlet	G Oil Outlet	H Water
5304-150-0004	1302-004-450	48.00	62.00	113.00	Single	M12 X 1.5	2 - M6 x 1	N/a
5304-150-0006	1302-003-460	48.00	62.00	113.00	Single	M12 X 1.5	2 - M6 x 1	M14 x 1.5
5304-150-0009	1302-003-460	48.00	62.00	113.00	Single	M12 X 1.5	2 - M6 x 1	M14 x 1.5
5304-150-0010	1302-004-451	48.00	62.00	113.00	Twin	M12 X 1.5	2 - M6 x 1	N/a
5304-150-0011	1302-004-451	48.00	62.00	113.00	Twin	M12 X 1.5	2 - M6 x 1	N/a
5304-151-0006	1302-004-452	48.00	62.00	113.00	Twin	M10 X 1.25	2 - M6 x 1	N/a
Not Known	1302-004-461	57.00	72.00	113.00	Twin	M12 X 1.5	2 - M6 x 1	M14 x 1.5

K03 K04 Type

Major Replacement Parts

Seal/ Backplates



OE Number	Melett Part No.	A Dia (mm)	B Dia (mm)	C Dia (mm)	D Depth (mm)	E Dia (mm)
5303-151-5701	1302-003-300	46.00	71.70	112.90	16.75	10.00
5304-151-5702	1302-003-302	51.20	76.00	112.90	16.75	10.00
5304-151-5703	1302-003-303	46.00	76.00	112.90	16.75	10.00
5304-151-5708	1302-003-306	57.20	86.60	112.90	16.75	10.00
5304-151-5712	1302-003-304	52.00	85.20	112.90	16.75	10.00
5304-151-5713	1302-003-301	47.20	76.00	112.90	16.75	10.00
5304-151-5716	1302-003-305	52.00	85.20	108.80	16.75	10.00

Heatshield/ Disk Shroud

To replace ...	Melett Part No.	Comments
5303-165-2000	1302-003-340	Recessed Dome
5304-165-2000	1302-003-341	Flat Dome
5304-165-2002	1302-004-342	Triple Tang

K03 K04 Type

Major Replacement Parts

Turbine Housings

Make	Model	Turbo Model	To fit turbo...	Fit Shaft & Wheel trim...	OE Housing No.	Melett Number
Audi	A4 / A6 1.8T	K03	5303-988-0005		5303-100-9019	1302-003-890
VW	Passat 1.8T	K03	5303-988-0005		5303-100-9019	1302-003-890
VW	Sharan 1.8T	K03	5303-988-0022		5303-100-9019	1302-003-890
Seat	Alhambra 1.8T	K03	5303-988-0022		5303-100-9019	1302-003-890
Audi	A4 / A6 1.8T	K03	5303-988-0025		5303-100-9060	1302-003-891
Audi	A4 / A6 1.8T	K03	5303-988-0029		5303-100-9060	1302-003-891
Seat	Alhambra 1.8T	K03	5303-988-0049		5303-100-9060	1302-003-891
Audi	A4 1.8T	K03	5303-988-0073		5303-100-9060	1302-003-891
Audi	A3 1.8T	K03	5303-988-0011		5303-100-9078	1302-003-892
Skoda	Octavia 1.8T	K03	5303-988-0011		5303-100-9078	1302-003-892
VW	Golf 1.8T	K03	5303-988-0011		5303-100-9078	1302-003-892
Audi	A3 1.8T	K03	5303-988-0026		5303-100-9078	1302-003-892
Audi	A3 1.8T	K03	5303-988-0035		5303-100-9078	1302-003-892
Audi	TT	K03	5303-988-0035		5303-100-9078	1302-003-892
VW	Beetle 1.8T	K03	5303-988-0044		5303-100-9078	1302-003-892
Seat	Ibiza Cupra	K03	5303-988-0045		5303-100-9078	1302-003-892
Audi	A3 1.8T	K03	5303-988-0052		5303-100-9078	1302-003-892
Audi	TT	K03	5303-988-0052		5303-100-9078	1302-003-892
Seat	Leon	K03	5303-988-0052		5303-100-9078	1302-003-892
Skoda	Octavia 1.8T	K03	5303-988-0052		5303-100-9078	1302-003-892
VW	Golf 1.8T	K03	5303-988-0052		5303-100-9078	1302-003-892
Skoda	Octavia 1.8T	K03	5303-988-0053		5303-100-9078	1302-003-892
VW	Golf 1.8T	K03	5303-988-0053		5303-100-9078	1302-003-892
VW	Beetle 1.8T	K03	5303-988-0058		5303-100-9078	1302-003-892
Seat	Ibiza Cupra	K03	5303-988-0082		5303-100-9078	1302-003-892
Ford	Transit 2.5LD	K04	5304-988-0001/6/8	5304-120-5008 (7.6mm Tip Width)	5304-100-9006	1302-004-890
Ford	Transit 2.5LD	K04	5304-988-0001/6/8	5304-120-5010 (6.4mm Tip width)	5304-100-9010	1302-004-891

Technical Note:

If in doubt of the type of S&W or T/Hsg required for K04 Transit, the 1302-004-890 housing takes a deeper trim wheel and will fit the more recent CHRA with the 5304-120-5010 shaft but performance will be reduced.

Melett recommend the correct housing is used.