



E: info@melett.com
W: www.melett.com



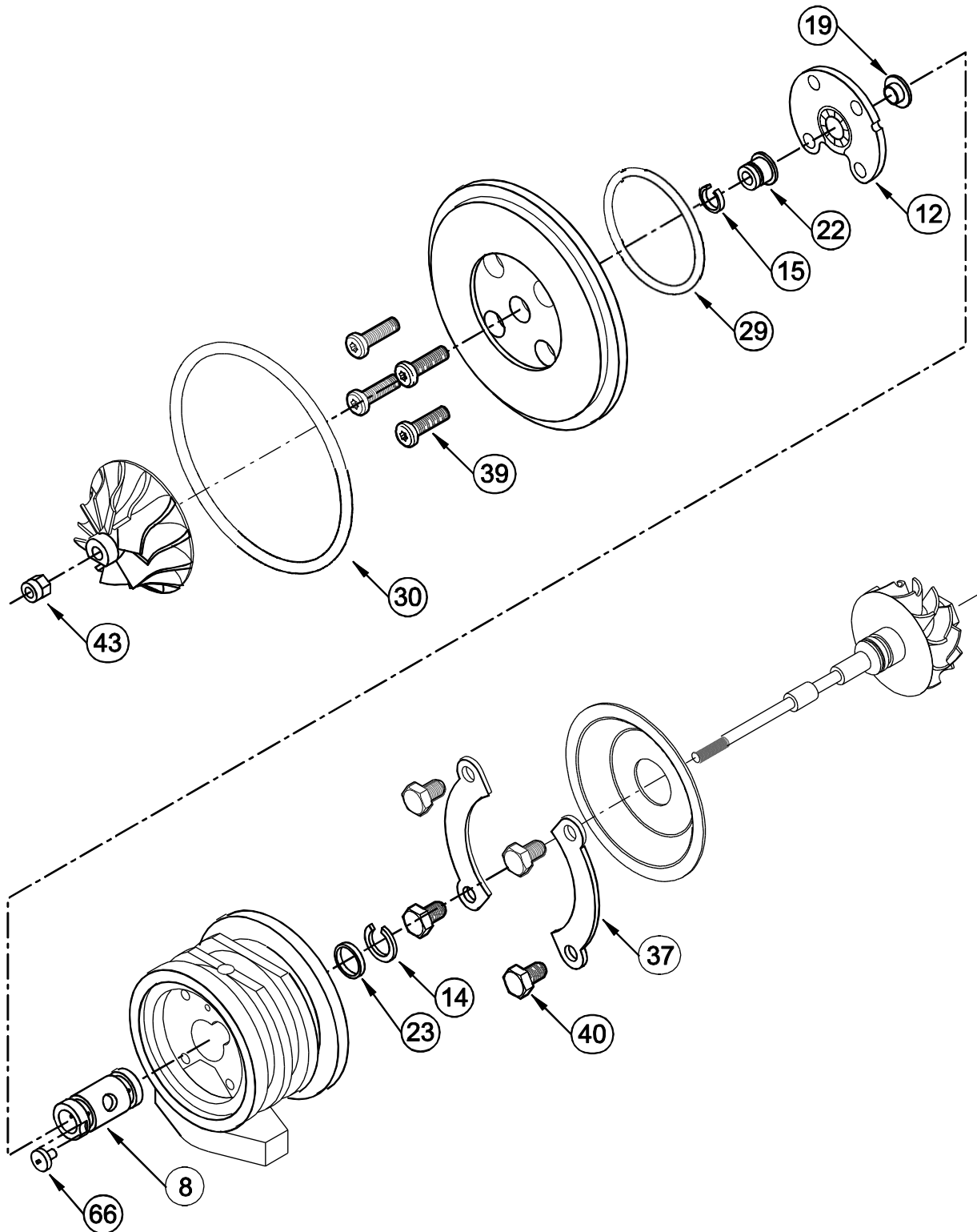
Garrett

GT/VNT15-25

Type Turbos

GT/VNT15-25 Type 1st Generation

Common Service Parts



GT/VNT15-25 Type 1st Generation

Repair Kits and Service Parts

All parts are available for purchase as individual components or in the following popular Repair Kits

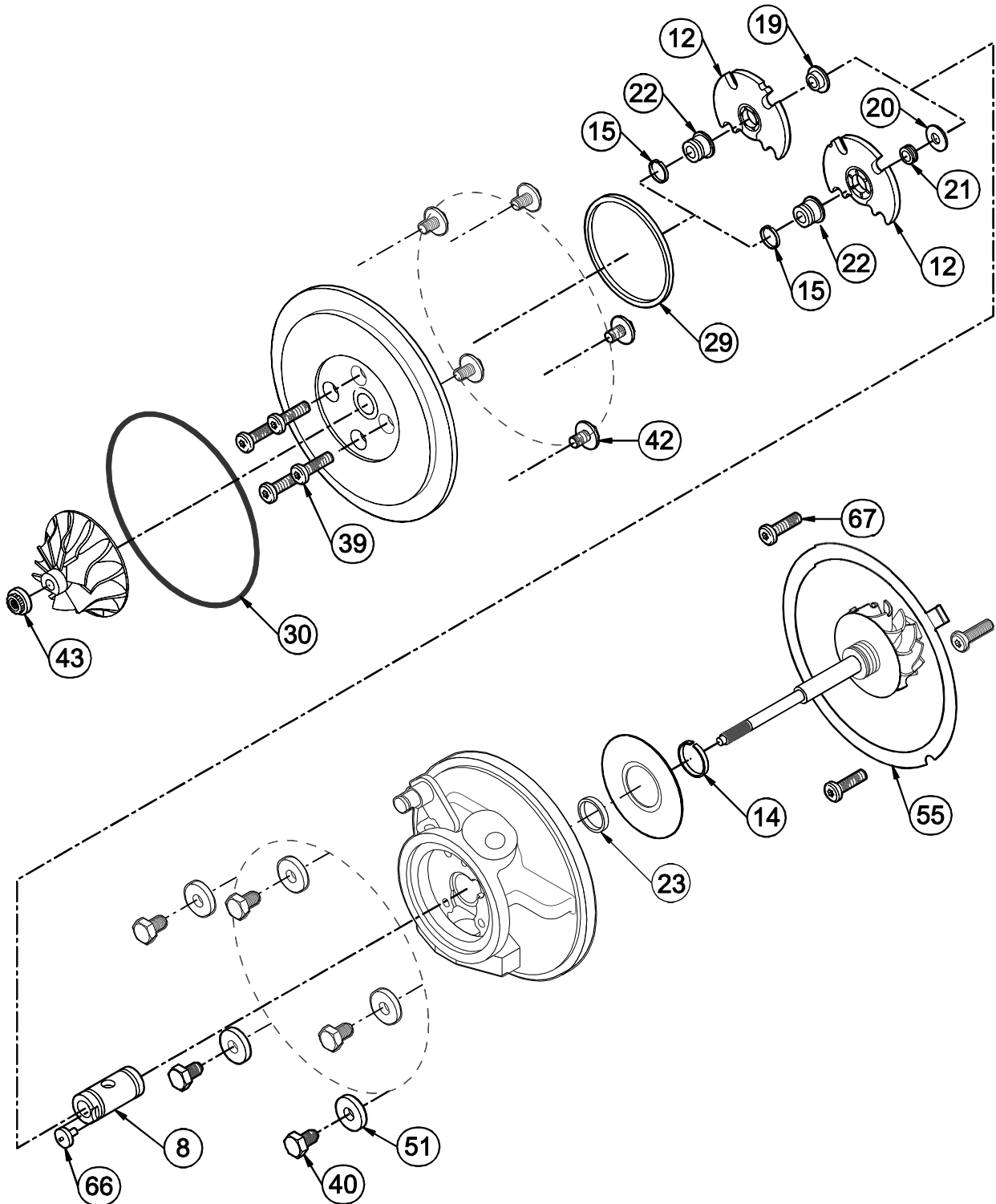
Key	Part Number	Description	Qty in Turbo	1102-015-751	1102-015-752	1102-015-753	1102-015-754	1102-015-755	1102-015-756	1102-015-758	1102-015-759	1102-015-760	1102-015-761	1102-015-762	1102-015-763	1102-015-765	1102-015-766	1102-015-769
8	1102-015-100	Bearing GT15 Std (Slender Shaft)	1		1	1	1	1	1	1					1			
8	1102-015-101	Bearing GT15 Std (Straight shaft)	1	1					1		1					1	1	1
12	1102-015-320	Thrust Bearing (10 pad)	1	1	1	1	1	1	1		1	1	1	1	1	1	1	1
14	1102-015-160	Piston Ring Turbine	1	1	1	1	1	1	1	1	1				1	1	1	1
15	1102-015-171	Piston Ring Compressor 9.3mm	1	1	1	1		1	1		1	1			1	1		
15	1102-015-173	Piston Ring Compressor 10mm	1				1	1	1					1	1	1	1	1
19	1102-015-240	Thrust Collar (10 pad)	1	1	1	1	1	1	1			1	1	1	1	1	1	1
22	1102-015-200	Thrust Flinger Flatback Ø9.3mm	1		1	1		1	1			1					1	
22	1102-015-201	Thrust Flinger Superback Ø10mm	1	1		1		1	1				1				1	
22	1102-015-202	Thrust Flinger (Oil Groove large pad)	1				1	1	1					1		1	1	1
23	1102-015-140	Spiral Spring (Journal Brg)	1	1	1	1	1	1	1	1	1				1	1	1	1
29	1102-015-150	O Ring (Brg Hsg/Sealplate)	1	1	1	1	1	1	1	1	1				1	1	1	1
30	1102-015-151	O Ring (82mm Comp Cover)	1	1	1	1	1	1	1	1	1				1	1	1	1
30	1102-015-152	O Ring (88mm Comp Cover)	1	1	1	1	1	1	1	1	1				1	1	1	1
30	1102-015-153	O Ring (95mm Comp Cover)	1	1	1	1	1	1	1	1	1				1	1	1	1
30	1102-015-154	O Ring (108mm Comp Cover)	1	1	1	1	1	1	1	1	1				1	1	1	1
30	1102-015-155	O Ring (114mm Comp Cover)	1	1	1	1	1	1	1	1	1				1	1	1	1
39	1102-015-620	Screw (Seal Plate)	4	4	4	4	4	4	4	4	4				4	4	4	4
40	1102-015-600	Bolt (Turbine Hsg)	5	5	5	5	5	5	5	5	5				5	5	5	5
42	1102-015-610	Bolt (Flanged) GT15-25 Comp	6	6	6	6	6	6	6	6	6				6	6	6	6
43	1102-015-351	Shaft Nut LHT	1	1	1	1	1	1	1	1	1				1	1	1	1
51	1102-015-481	Clamp Washer (Turbine)	5	5	5	5	5	5	5	5	5				5	5	5	5
66	1102-015-290	Anti-Rotation Pin	1	1	1	1	1	1	1	1	1				1	1	1	1
67	1102-015-630	VNT Nozzle screw M4	3															

For kit descriptions see Page 88

For oversize bearings and piston rings, see Page 89

GT/VNT15-25 Type 2nd Generation

Common Service Parts



GT/VNT15-25 Type 2nd Generation

Repair Kits and Service Parts

Key	Part Number	Description	Qty in Turbo	1102-015-770	1102-015-771	1102-015-780	1102-015-781	1102-015-782	1102-015-783	1102-015-784
8	1102-015-101	Bearing GT20-25 Std (Straight shaft)	1					1	1	
8	1102-015-102	Bearing GT1544Z (ID Ø6.5mm) (For turbo 753420)	1							
8	1102-015-103	Bearing GT1544Z (ID Ø6.5mm) (For turbo Smart)	1		1					
8	1102-015-104	Bearing GT15-20 (Low Viscosity Oil 729952-2)	1				1		1	1
12	1102-015-322	Thrust Bearing (Oil Groove Small pad)	1	1	1					
12	1102-015-324	Thrust Bearing (Oil Groove Large pad)	1			1	1	1	1	1
14	1102-015-160	Piston Ring Turbine	1		1		1	1	1	2
15	1102-015-173	Piston Ring Compressor 10mm	1	1	1	1	1	1	1	1
19	1102-015-243	Thrust Collar VNT (Oil Groove small pad)	1	1	1					
20	1102-015-242	Thrust Washer VNT (Oil Groove large pad)	1			1	1	1	1	1
21	1102-015-220	Thrust Spacer	1			1	1	1	1	1
22	1102-015-202	Thrust Flinger (Oil Groove large pad)	1			1	1	1	1	1
22	1102-015-203	Thrust Flinger (Oil Groove small pad)	1	1	1					
23	1102-015-140	Spiral Spring (Journal Brg)	1		1		1	1	1	1
29	1102-015-150	O Ring (Brg Hsg/Sealplate)	1		1		1	1	1	
29	1102-015-156	O Ring (Brg Hsg/Sealplate)	1							1
30	1102-015-151	O Ring (82mm Comp Cover)	1		1		1	1	1	
30	1102-015-152	O Ring (88mm Comp Cover)	1		1		1	1	1	
30	1102-015-153	O Ring (95mm Comp Cover)	1		1		1	1	1	1
30	1102-015-154	O Ring (108mm Comp Cover)	1		1		1	1	1	
30	1102-015-155	O Ring (114mm Comp Cover)	1		1		1	1	1	
39	1102-015-620	Screw (Seal Plate)	4		4		4	4	4	4
40	1102-015-600	Bolt (Turbine Hsg)	5		5		5	5	5	5
42	1102-015-610	Bolt (Flanged) GT15-25 Comp	6		4		6	6	6	6
43	1102-015-351	Shaft Nut LHT	1		1		1	1	1	1
51	1102-015-481	Clamp Washer (Turbine)	5		3		5	5	5	5
55	1102-015-795	Gasket Steel ID 99mm OD 106.5mm	1							
55	1102-015-796	Gasket Steel ID 91mm OD 106.0mm	1							
55	1102-015-797	Gasket Steel ID 103mm OD 106.0mm "C"	1							
55	1102-015-798	Gasket Steel ID 100mm OD 115mm	1							
55	1102-015-799	Gasket Steel ID 108mm OD 115mm	1							
66	1102-015-291	Anti-Rotation Pin			1		1	1	1	1
67	1102-015-630	VNT Nozzle screw (M4 x 20)	3							

For kit descriptions see Page 88

For oversize bearings and piston rings, see Page 89

GT/VNT15-25 Type

Description of Repair Kits available

Melett No.	OE Number	Description
1102-015-751		Repair Kit GT15-25 (Straight Shaft s/back 9mm P/Ring)
1102-015-752		Repair Kit GT15-25 (Slender Shaft F/Back 9mm P/Ring)
1102-015-753		Repair Kit GT15-25 (Slender Shaft S/Back 9mm P/Ring)
1102-015-754		Repair Kit GT15-25 (Slender Shaft S/Back 10mm P/Ring)
1102-015-755		Repair Kit GT15-25 (Universal Slender Shaft all thrusts)
1102-015-756	732252-0001	Repair Kit GT15-25 (Universal Both brgs all thrusts)
1102-015-758	732136-0001	Base kit GT/VNT15-25 (Slender Shaft)
1102-015-759	732245-0001	Base kit GT/VNT15-25 (Straight Shaft)
1102-015-760	732248-0001	Thrust Kit GT15 (F/Back 9mm Piston Ring)
1102-015-761	732248-0002	Thrust Kit GT15-25 (S/Back 9mm Piston Ring)
1102-015-762	732248-0003	Thrust Kit GT15-25 (S/Back 10mm Piston Ring)
1102-015-763		Repair Kit GT15-25 (Full kit but no Flingers)
1102-015-765		Repair Kit GT15-25 (Universal Straight Shaft all thrusts)
1102-015-766		Repair Kit GT15-25 (Straight Shaft S/Back 10mm P/Ring)
1102-015-769		Repair Kit (Major) GT20/25 Perkins (with oil deflector)
1102-015-770	2 nd Generation	Thrust Kit GT15 (Small Pad thrust)
1102-015-771	2 nd Generation	Repair Kit GT15 (6.5mm shaft Small Pad thrust)
1102-015-780	2 nd Generation	Thrust Kit GT15 (Oil Groove Large Pad)
1102-015-781	2 nd Generation	Repair Kit GT15 (Slender Shaft S/Back 10mm P/Ring Large Pad)
1102-015-782	2 nd Generation	Repair Kit GT15 (Straight Shaft S/Back 10mm P/Ring Large Pad)
1102-015-783	2 nd Generation	Repair Kit GT15 (Universal both bearings all thrusts)
1102-015-784	2 nd Generation	Repair Kit GT15 (Large Thrust / 104 Brg / twin ring)

For oversize bearings and piston rings, see Page 89

GT/VNT15-25 Type

Oversize Repair Parts

Journal Bearings

GT1544 (OD6.5mm Shaft)			
Standard	Standard	1102-015-102	
Standard	Standard	1102-015-103	
GT/VNT 15-25 1st Generation			
		Slender	Straight
Standard	Standard	1102-015-100	1102-015-101
Standard	- 0.005"	1102-015-117	n/a
Standard	- 0.010"	1102-015-127	n/a
GT/VNT 15-18 2nd Generation			
		Slender	Straight
Standard	Standard	1102-015-104	1102-015-104
GT/VNT 18 -25 2nd Generation			
		Slender	Straight
Standard	Standard	1102-015-101	

Technical Note:

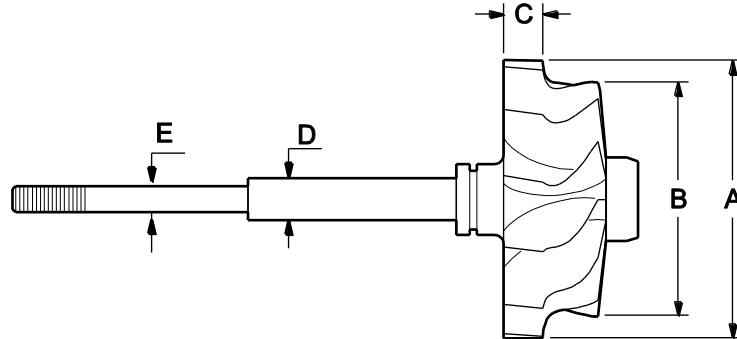
Melett Engineers do not recommend the use of undersize bearings / shafts in the GT/VNT turbos. These turbos are developed using 'limit state' design, which does not allow for any removal of material during reconditioning. We offer the bearings so a temporary repair can be made where no other options are available.

Piston Rings

GT15-25		Turbine	Compressor
OD	Width		
Standard	Standard	1102-015-160	
+ 0.010"	Standard	1102-015-180	
Standard	+ 0.010"	1102-015-181	
+ 0.010"	+ 0.010"	1102-015-182	
Standard	Standard	9mm	1102-015-171
Standard	Standard	10mm	1102-015-173
+ 0.010"	Standard	10mm	1102-015-185

GT/VNT15-25 Type

Shaft & Wheels

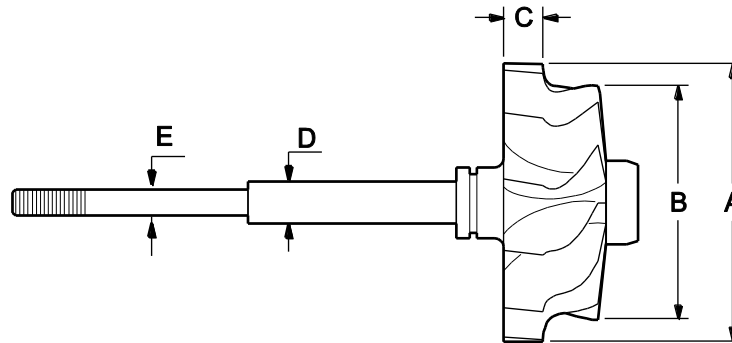


List of turbine wheels available sorted by Inducer diameter A.

OE Number	Melett Part No.	Inducer Diameter A	Exducer Diameter B	Tip Height C	Journal Bearing D	Comp. Wheel Bore E	Blades	Type of Shaft	Comments
Not Known	1102-015-439	39.0	33.2	5.5	6.5	5.08	11	Slender	
Not Known	1102-015-441	39.0	33.2	5.5	7.88	5.08	11	Straight	
702177-0002	1102-015-440	40.0	40.0	0.0	7.88	5.08	9	Straight	
Not Known	1102-016-435	41.0	34.0	6.4	7.88	5.08	9	Slender	
433298-0032	1102-015-436	41.5	33.8	7.3	7.88	5.08	9	Slender	
433165-0001	1102-015-435	41.5	35.2	7.1	7.88	5.08	9	Slender	
433165-0007	1102-015-435	41.5	35.2	7.1	7.88	5.08	9	Slender	
433298-0001	1102-015-435	41.5	35.2	7.1	7.88	5.08	9	Slender	
433298-0030	1102-015-435	41.5	35.2	7.1	7.88	5.08	9	Slender	
707669-0010	1102-015-438	42.0	38.2	6.0	7.88	5.08	12	Slender	
433290-0042	1102-015-437	42.3	32.3	6.0	7.88	5.08	10	Slender	
Not Known	1102-017-447	43.0	37.5	8.3	7.88	5.08	9	Straight	
Not Known	1102-017-448	43.0	38.0	7.2	7.88	5.08	9	Straight	
717904-0001	1102-017-443	43.0	39.5	8.0	7.88	5.08	9	Slender	
717904-0029	1102-017-443	43.0	39.5	8.0	7.88	5.08	9	Slender	
Not Known	1102-017-446	43.0	39.5	8.0	7.88	5.08	9	Straight	
434533-0017	1102-017-445	43.1	35.2	6.3	7.88	5.08	9	Slender	
434533-0002	1102-017-441	43.1	36.0	5.9	7.88	5.08	9	Slender	
434533-0039	1102-017-441	43.1	36.0	5.9	7.88	5.08	9	Slender	
434533-0007	1102-017-438	43.1	36.0	6.3	7.88	5.08	9	Slender	
434533-0009	1102-017-438	43.1	36.0	6.3	7.88	5.08	9	Slender	
434533-0015	1102-017-438	43.1	36.0	6.3	7.88	5.08	9	Slender	
434533-0035	1102-017-438	43.1	36.0	6.3	7.88	5.08	9	Slender	
434533-0037	1102-017-438	43.1	36.0	6.3	7.88	5.08	9	Slender	
434533-0058	1102-017-438	43.1	36.0	6.3	7.88	5.08	9	Slender	
434533-0059	1102-017-438	43.1	36.0	6.3	7.88	5.08	9	Slender	
Not Known	1102-017-434	43.1	36.0	6.3	7.88	5.08	9	Slender	Twin P.Ring
434533-0006	1102-017-436	43.1	37.5	6.3	7.88	5.08	9	Slender	
434533-0012	1102-017-436	43.1	37.5	6.3	7.88	5.08	9	Slender	
434533-0038	1102-017-436	43.1	37.5	6.3	7.88	5.08	9	Slender	
434533-0056	1102-017-436	43.1	37.5	6.3	7.88	5.08	9	Slender	
434533-0057	1102-017-436	43.1	37.5	6.3	7.88	5.08	9	Slender	
434533-0018	1102-017-440	43.1	37.5	6.3	7.88	5.08	9	Straight	
434533-0023	1102-017-440	43.1	37.5	6.3	7.88	5.08	9	Straight	

GT/VNT15-25 Type

Shaft & Wheels



List of turbine wheels available sorted by Inducer diameter A.

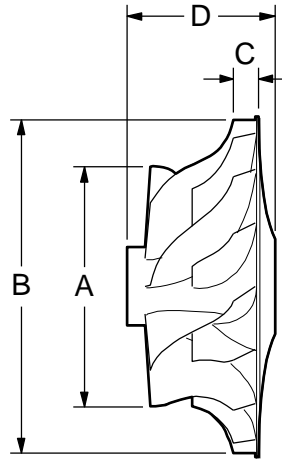
OE Number	Melett Part No.	Inducer Diameter A	Exducer Diameter B	Tip Height C	Journal Bearing D	Comp. Wheel Bore E	Blades	Type of Shaft	Comments
434714-0019	1102-017-444	44.2	37.3	7.5	7.88	5.08	9	Slender	
434714-0034	1102-017-444	44.2	37.3	7.5	7.88	5.08	9	Slender	
434714-0009	1102-017-442	44.2	37.5	7.8	7.88	5.08	9	Straight	
704580-0003	1102-017-435	44.5	40.0	8.0	7.88	5.08	9	Straight	
704580-0001	1102-017-439	44.5	40.0	8.3	7.88	5.08	9	Slender	
704580-0016	1102-017-439	44.5	40.0	8.3	7.88	5.08	9	Slender	
436504-0004	1102-020-438	47.0	38.5	6.3	7.88	5.08	12	Slender	
434883-0001	1102-020-435	47.0	38.7	8.0	7.88	5.08	9	Slender	
434883-0003	1102-020-436	47.0	38.7	8.0	7.88	5.08	9	Straight	
434883-0017	1102-020-436	47.0	38.7	8.0	7.88	5.08	9	Straight	
434883-0030	1102-020-436	47.0	38.7	8.0	7.88	5.08	9	Straight	
434883-0033	1102-020-435	47.0	38.7	8.0	7.88	5.08	9	Slender	
Not Known	1102-020-441	47.0	39.9	8.3	7.88	5.08	9	Straight	
434715-0013	1102-020-440	47.0	40.0	6.2	7.88	5.08	12	Slender	
434715-0027	1102-020-440	47.0	40.0	6.2	7.88	5.08	12	Slender	
434883-0015	1102-020-437	47.0	40.0	8.5	7.88	5.08	9	Straight	
Not Known	1102-020-442	47.0	41.5	9.3	7.88	5.08	9	Straight	
434882-0004	1102-020-439	49.9	42.4	8.3	7.88	5.08	9	Straight	
740244-0001	1102-025-435	49.9	46.0	9.4	7.88	5.08	9	Straight	
434882-0003	1102-022-436	50.0	42.7	7.2	7.88	5.08	9	Straight	
434882-0005	1102-022-435	50.0	42.7	8.2	7.88	5.08	9	Straight	
434882-0010	1102-022-435	50.0	42.7	8.2	7.88	5.08	9	Straight	
434882-0014	1102-022-435	50.0	42.7	8.2	7.88	5.08	9	Straight	
434716-0001	1102-022-437	50.3	42.7	9.0	7.88	5.08	9	Straight	
434717-0028	1102-025-436	51.4	47.0	9.5	7.88	5.08	9	Straight	
434717-0033	1102-025-436	51.4	47.0	9.5	7.88	5.08	9	Straight	
704580-0004	1102-025-436	51.4	47.0	9.5	7.88	5.08	9	Straight	

More Shaft and wheels are currently in development with many popular parts due into stock through 2010/11.

Please contact Melett Sales for an up to date list of what's available

GT/VNT15-25 Type

Compressor Wheels

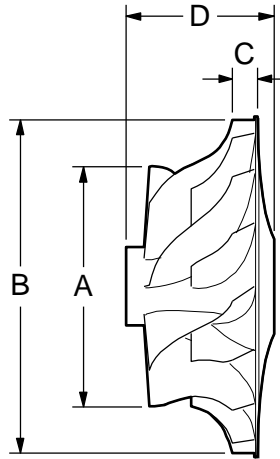


List of compressor wheels available sorted by Exducer diameter B.

OE Number	Melett Part No.	Inducer Diameter A	Exducer Diameter B	Tip Height C	Total Height D	Blades	Flatback/ Superback/ Trim	Shaft Bore
704765-0003	1102-015-418	27.5	41.0	3.1	22.3	6\6	Superback	5.08
737683-0003	1102-015-415	31.1	44.0	3.6	24.2	6\6		5.08
433246-0003	1102-015-410	32.9	44.0	4.3	20.3	6\6	Flatback	5.08
433287-0004	1102-015-413	33.0	44.0	4.5	22.3	6\6	56	5.08
433287-0011	1102-015-413	33.0	44.0	4.5	22.5	6\6	56	5.08
737686-0003	1102-015-417	32.6	46.0	3.7	25.2	6\6	Deep Superback	5.08
436624-0002	1102-015-412	34.1	46.0	4.3	23.6	6\6	55	5.08
702489-0003	1102-015-409	32.9	49.0	3.4	24.8	6\6	Superback	5.08
434812-0001	1102-015-400	32.9	49.0	4.0	22.2	6\6	45 Superback	5.08
434812-0002	1102-015-400	32.9	49.0	4.0	22.2	6\6	45 Superback	5.08
702489-0002	1102-015-401	34.7	49.0	3.7	24.8	6\6	50	5.08
702489-0009	1102-015-401	34.7	49.0	3.7	24.8	6\6	Superback	5.08
436132-0003	1102-015-402	34.7	49.0	4.5	24.8	6\6	50 Superback	5.08
436132-0014	1102-015-402	34.7	49.0	4.5	24.8	6\6	50 Superback	5.08
436334-0003	1102-015-402	34.7	49.0	4.5	24.8	6\6	Superback	5.08
703925-0003	1102-015-402	34.7	49.0	4.5	24.8	6\6	Superback	5.08
703925-0011	1102-015-402	34.7	49.0	4.5	24.8	6\6	Superback	5.08
706164-0003	1102-015-402	34.7	49.0	4.5	24.8	6\6	50	5.08
436334-0002	1102-015-414	36.3	49.0	4.9	24.8	6\6	55	5.08
436132-0002	1102-015-404	36.3	49.0	4.6	24.8	6\6	55 Superback	5.08
436132-0015	1102-015-404	36.3	49.0	4.6	24.8	6\6	55 Superback	5.08
702489-0001	1102-015-407	36.4	49.0	4.0	25.0	6\6	Superback	5.08
702489-0005	1102-015-407	36.4	49.0	4.0	25.0	6\6	Superback	5.08
703925-0002	1102-015-404	36.4	49.0	4.8	24.8	6\6	55	5.08
717697-0003	1102-020-402	34.9	52.0	4.0	27.0	5\5	Deep Superback	5.08

GT/VNT15-25 Type

Compressor Wheels



List of compressor wheels available sorted by Exducer diameter B.

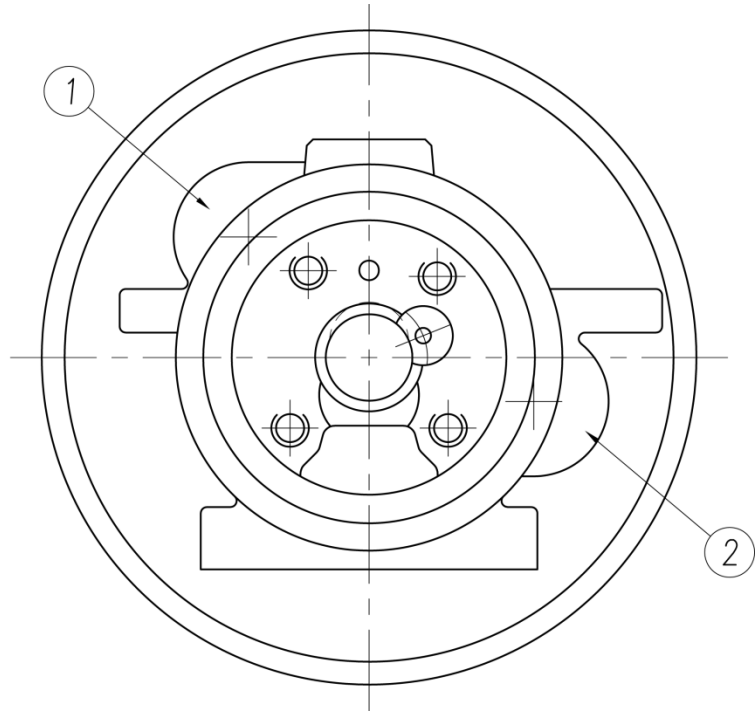
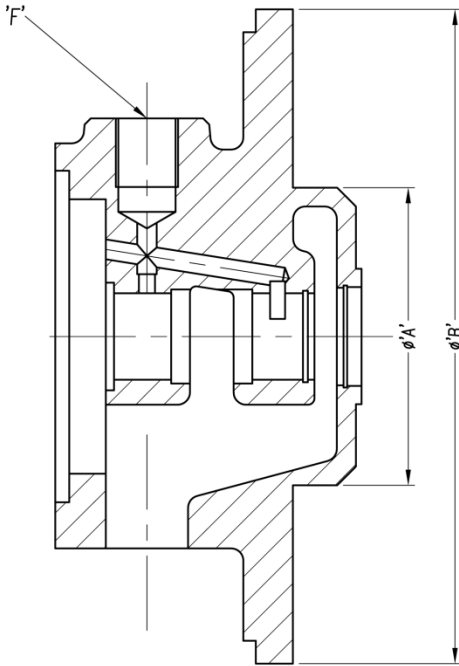
OE Number	Melett Part No.	Inducer Diameter A	Exducer Diameter B	Tip Height C	Total Height D	Blades	Flatback/ Superback/ Trim	Shaft Bore
436131-0003	1102-015-405	36.8	52.0	4.4	26.1	6\6	50	5.08
436131-0013	1102-015-405	36.8	52.0	4.4	24.6	6\6	50	5.08
436131-0017	1102-015-405	36.8	52.0	4.4	24.6	6\6	50	5.08
436131-0019	1102-015-405	36.8	52.0	4.4	26.1	6\6	Superback	5.08
436131-0021	1102-015-405	36.8	52.0	4.4	26.1	6\6	60	5.08
Not Known	1102-020-400	36.8	52.0	5.5	26.1	6\6	Superback	5.08
Not Known	1102-015-419	38.3	52.0	4.8	26.1	6\6	Superback	5.08
702492-0001	1102-015-406	38.6	52.0	4.0	26.0	6\6	55	5.08
702492-0004	1102-015-406	38.6	52.0	4.0	26.0	6\6	55	5.08
436131-0002	1102-015-403	38.6	52.0	4.8	26.1	6\6	Superback	5.08
436131-0012	1102-015-403	38.6	52.0	4.8	24.6	6\6	55	5.08
436131-0016	1102-015-403	38.6	52.0	4.8	24.6	6\6	55	5.08
436131-0022	1102-015-403	38.6	52.0	4.8	26.1	6\6	50	5.08
436563-0012	1102-015-416	39.6	56.0	4.7	30.9	6\6	50 Deep Superback	5.08
737689-0003	1102-015-416	39.6	56.0	4.7	30.9	6\6	Deep Superback	5.08
701374-0003	1102-022-402	39.6	56.0	5.1	29.3	6\6	Superback	5.08
436563-0001	1102-022-400	41.6	56.0	4.6	30.8	6\6	Superback	5.08
701374-0001	1102-025-400	41.6	56.0	5.3	29.2	6\6	55	5.08
701374-0006	1102-025-400	41.6	56.0	5.3	29.2	6\6	Superback	5.08
737689-0001	1102-020-401	43.4	56.0	5.0	30.9	6\6	Deep Superback	5.08
702549-0008	1102-023-402	44.4	59.4	5.9	32.4	6\6	Superback	5.08
720915-0004	1102-022-401	44.5	60.0	4.8	32.4	5\5	Deep Superback	5.08

More Compressor Wheels are currently in development with many popular parts due into stock through 2010/11. Please contact Melett Sales for an up to date list of what's available

GT/VNT15-25 Type

Major Replacement Parts

Bearing Housing



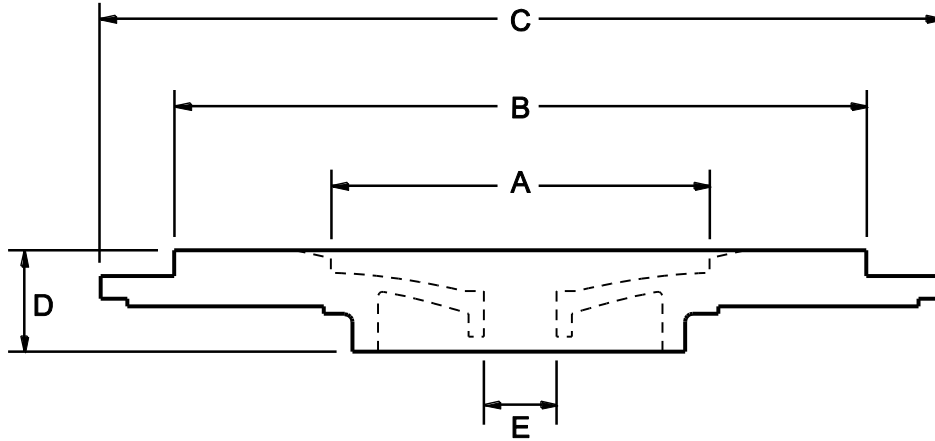
List of bearing housings sorted by dimension A

OE Number	Melett Part No.	A Dia (mm)	B Dia (mm)	F Oil Inlet	G Oil Outlet	H Water	VNT Lever Position	Description
435911-0002	1102-015-453	N/a	68	M10X1	2 - M6 x 1	N/a	N/a	GT15 Oil Cooled
Not Known	1102-017-454	45.4	106.3	M10 X 1	2 - M6 x 1	N/a	1	VNT (fit turbo 753420)
433145-0005	1102-017-450	47.4	105.2	M10 X 1	2 - M6 x 1	N/a	1	VNT
722282-0012	1102-017-453	47.4	106.3	M10 X 1	2 - M6 x 1	N/a	2	VNT
Not Known	1102-017-457	47.4	106.3	M10 X 1	2 - M6 x 1	N/a	1	VNT (fit turbo 750431-4)
703882-0002	1102-017-458	47.4	106.3	M10 X 1	2 - M6 x 1	N/a	1	VNT
706288-0002	1102-017-459	47.4	106.3	M10 X 1	2 - M6 x 1	N/a	1	VNT
722282-0078	1102-017-455	47.4	106.3	M8 X 1.25	2 - M6 x 1	N/a	1	VNT Side-under Oil Inlet
433275-0002	1102-015-450	49	68	M10 X 1	2 - M6 x 1	N/a	N/a	GT15 Oil Cooled
435793-0005	1102-015-451	49	68	M12 X 1.5	2 - M6 x 1	N/a	N/a	GT15
434765-0001	1102-017-452	51.3	113.3	M10 X 1	2 - M6 x 1	N/a	2	VNT
722282-0021	1102-017-451	51.3	115.3	M10 X 1	2 - M6 x 1	N/a	2	VNT
722282-0004	1102-017-456	51.3	115.3	M10 X 1	2 - M6 x 1	N/a	1	VNT
722282-0020	1102-022-450	51.3	115.3	M10 X 1	2 - M6 x 1	N/a	1	VNT
703881-0011	1102-025-450	51.3	115.3	M12 X 1.5	2 - M6 x 1	N/a	2	VNT (703881-11)
434578-0012	1102-015-462	56	68	M10 X 1.5	2 - M6 x 1	M14 x 1.5	N/a	W/C integrated heatshield
713872-0006	1102-015-461	56	68	M12 X 1.5	2 - M6 x 1	M14 x 1.5	N/a	GT15 (Watercooled)
434578-0005	1102-015-460	60.5	68	M12 X 1.5	2 - M6 x 1	M14 x 1.5	N/a	W/C integrated heatshield
700557-0004	1102-015-452	60.5	78.5	M8 X 1.25	2 - M6 x 1	N/a	N/a	GT15 Oil Cooled

GT/VNT15-25 Type

Major Replacement Parts

Seal/ Backplates



List of seal plates sorted by dimension A

Melett Part No	OE Number	A Dia (mm)	B Dia (mm)	C Dia (mm)	D Depth (mm)	E Dia (mm)	Flatback/ Superback/ Deep Superback
1102-015-304	433249-0001	45.00	84.15	95.00	11.5	9.3	
1102-015-304	435787-0001	45.00	84.15	95.00	11.5	9.3	
1102-015-305	433254-0005	45.00	84.15	95.00	12	9.3	
1102-015-308	700593-0001	45.00	84.15	95.00	12	10	
1102-317-300	Not Known	45.00	114.10	117.40	13.4	10	Deep Superback
1102-015-303	701335-0008	47.00	100.20	120.00	12	10	
1102-016-300	Not Known	47.20	84.20	95.00	12	10	
1102-015-300	700593-0006	50.00	89.60	99.00	12	10	
1102-015-300	703682-0023	50.00	89.60	99.00	12	10	
1102-015-300	703682-0045	50.00	89.60	99.00	12	10	
1102-015-306	434813-0001	50.00	89.60	99.00	12	9.3	
1102-015-301	436731-0001	50.00	91.25	111.00	12	10	
1102-015-301	700593-0003	50.00	91.25	111.00	12	10	
1102-015-311	700593-0004	50.00	95.30	120.00	12	9.3	
1102-015-312	Not Known	50.00	95.30	120.00	12	10	
1102-015-315	433294-0002	50.00	97.60	120.00	12	10	
1102-015-309	436399-0002	50.00	118.00	124.00	12	10	
1102-015-309	703682-0014	50.00	118.00	124.00	12	10	

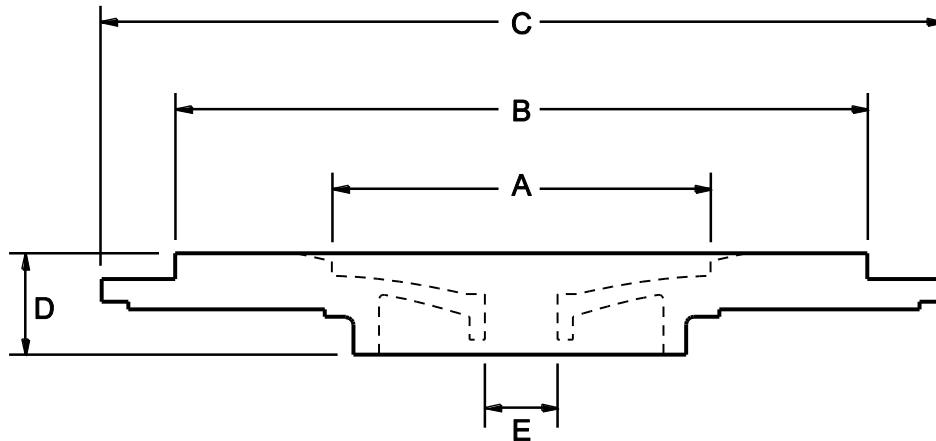
1: 1102-015-312 is the same as 700593-0004 (1102-015-311) but with the improved 10mm piston ring bore ring bore, this seal plate would also need the thrust flinger 1102-015-202

See next page for more seal plates.

GT/VNT15-25 Type

Major Replacement Parts

Seal/ Backplates



List of seal plates sorted by dimension A

Melett Part No	OE Number	A Dia (mm)	B Dia (mm)	C Dia (mm)	D Depth (mm)	E Dia (mm)	Flatback/ Superback/ Deep Superback
1102-320-301	730078-0003	53.00	N/a	79.45	13.4	10	Deep Superback
1102-015-314	434689-0002	53.00	87.20	107.50	12.0	10	
1102-015-307	433254-0001	53.00	96.15	112.10	12.0	10	
1102-015-307	701335-0001	53.00	96.15	112.10	12.0	10	
1102-015-302	701335-0003	53.00	100.20	124.00	12.0	10	
1102-025-301	434689-0004	53.00	100.20	129.00	12.0	9.3	
1102-025-301	703682-0074	53.00	100.20	129.00	12.0	10	
1102-015-316	721085-0001	53.20	87.20	107.50	11.4	10	
1102-015-313	436466-0002	53.20	126.90	134.20	12.0	10	
1102-320-300	730078-0002	57.00	N/a	79.45	13.4	10	Deep Superback
1102-025-300	701335-0005	57.00	100.20	129.00	12.0	10	
1102-322-301	434820-0003	57.50	100.20	129.00	13.6	10	Deep Superback
1102-320-302	730078-0001	61.50	N/a	79.45	13.4	10	Deep Superback
1102-322-300	434820-0006	61.50	116.00	129.00	13.6	10	Deep Superback

Note:

More Major Parts are currently in development with many popular parts due into stock through 2010/11. Please contact Melett Sales for an up to date list of what's available

GT/VNT15-25 Type

Major Replacement Parts

Heatshield/ Disk Shroud

OE Number	Melett Part No	Primary Outside Diameter	Bore	Secondary Outside Diameter	Overall Height	Description
433112-0001	1102-015-342	49	19.4		2.4	VNT17
443768-0003	1102-015-340	57	19.1		2.4	VNT20
434890-0001	1102-015-341	60	18.5	47.4	6	GT20 Ford
434302-0001	1102-015-343	60	18.5	40	8.9	GT15 for 433275-0002 Brg Hsg
Not Known	1102-015-344	46	19.4		2.4	GT15 for

Actuators

Melett Number	OE Number	Description
1102-017-380	434855-0001	Actuator VNT
1102-017-381	434855-0004/15	Actuator VNT
1102-017-382	434855-0012	Actuator VNT
1102-017-383	723455-0002	Actuator VNT

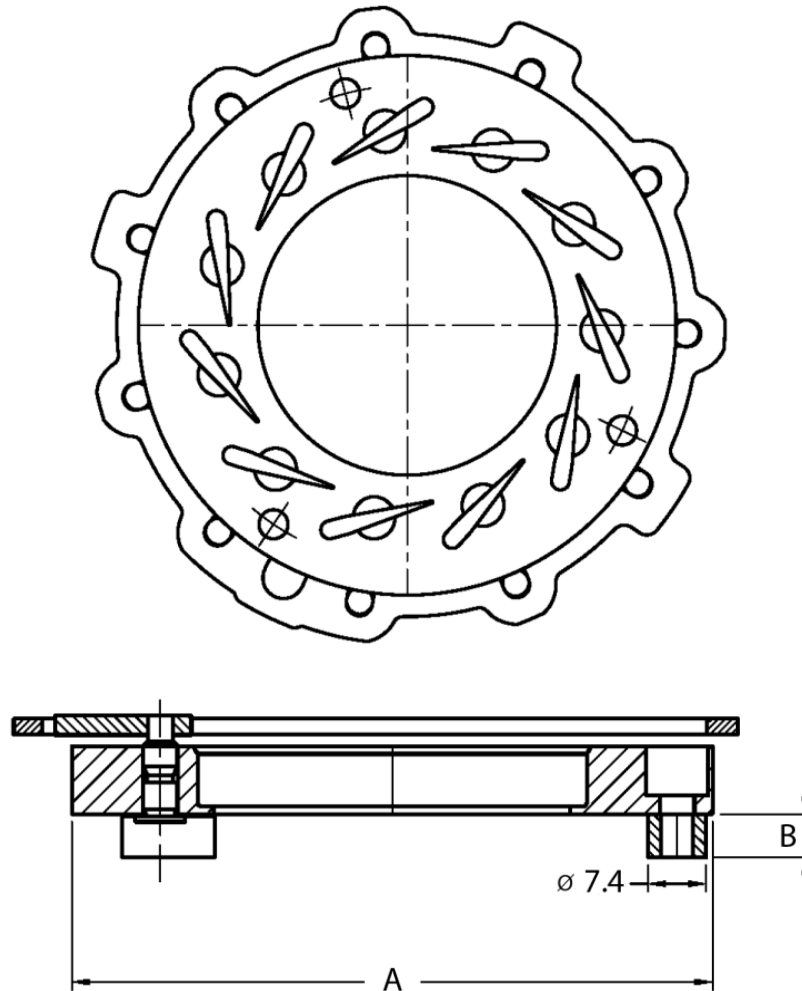
Actuator Position Sensors



Melett Number	Currently fits turbo
1102-015-390	756047-0004
	760774-0002
	714306-0006

GT15-25 Type

Nozzle Ring Assemblies



Melett Part No.	Replace	No. Of Vanes	A Dia (mm)	B Spacer Height (mm)	Description
1102-017-830	704013-1	11	81.5	5.5	GT15/17 Nozzle Ring Assembly (inc. nozzle ring, unison ring, pins and rollers). Fit VW/Audi & Laguna
1102-017-831	704013-13	11	81.5	7.7	GT15/17 Nozzle Ring Assembly (inc. nozzle ring, unison ring, pins and rollers). Fit BMW & Mercedes
1102-017-833	N/A	13	89.75	7.65	GT20/22 Nozzle Ring Assembly (inc. nozzle ring, unison ring, pins and rollers). Fit VW/Audi/ Mercedes/ BMW/ Volvo

This nozzle assembly is also fitted to many other applications.

GT20 / GT25

‘T2 Style’ type turbos

The following GT20/25 turbos are based upon the T2 CHRA design and therefore use T2 repair kits as shown.
For kit details and full kit options, see T2 section.

OE Turbo Number	CHRA	Turbo Model	Melett Repair Kit
454110-0001	443854-0150	GT25C	1100-020-758
454111-0001	443854-0121	GT25C	1100-020-758
454127-0001	443854-0150	GT25C	1100-020-758
454145-0001	443854-0150	GT20C	1100-020-758
454145-0002	443854-0150	GT25C	1100-020-758
454156-0001	443854-0204	GT25C	1100-020-758
454169-0001	443854-0150	GT20	1100-020-758
454169-0001	443854-0150	GT25C	1100-020-758
454169-0002	443854-0150	GT25C	1100-020-758
454184-0001	443854-0149	GT2538C	1100-020-758
454193-0001	443854-0150	GT2538C	1100-020-758
454193-0001	443854-0150	GT25C	1100-020-758
454193-0002	443854-0157	GT25C	1100-020-758
454203-0001	443854-0150	GT25C	1100-020-758
454207-0001	443854-0150	GT2538C	1100-020-758
700716-0003	431876-0109	GT25	1100-020-758
700716-0005	431876-0109	GT25	1100-020-758
700716-0005	431876-0109	GT25	1100-020-758
703325-0001	443854-0172	GT25C	1100-020-758
703325-0001	443854-0172	GT25C	1100-020-758