



When ordering parts, always state:  
 MODEL NO. - PRODUCT NO. - QUANTITY -  
 PART NUMBER - DESCRIPTION  
 For Electric Details also state:  
 VOLTAGE - WATTAGE

# MODEL RM4223 Series PARTS LIST

**USA**  
 SERVICE OFFICE  
 Dometic Corporation  
 509 South Poplar Street  
 Lagrange, IN 46761  
 260-463-4858

**CANADA**  
 Dometic Distribution  
 866 Langs Drive  
 Cambridge, Ontario  
 CANADA N3H 2N7  
 519-653-4390

**For Service Center  
 Assistance Call:**  
 800-544-4881

| Product No. | Model  | Voltage  | Refrig. Frame Color | Door Style | Door/Door Trim Color | Market     | Brand   |
|-------------|--------|----------|---------------------|------------|----------------------|------------|---------|
| 921130225   | RM4223 | 12V-120V | Gray-Brown          | Standard   | Gray-Brown           | USA/Canada | Dometic |
| 921130226   | RM4223 | 12V-120V | Gray-Brown          | Standard   | Gray-Brown           | USA/Canada | Dometic |
| 921130227   | RM4223 | 12V-120V | Gray-Brown          | Standard   | Gray-Brown           | USA/Canada | Dometic |
| 321130228   | RM4223 | 12V-120V | Gray-Brown          | Standard   | Gray-Brown           | USA/Canada | Dometic |
| 921130229   | RM4223 | 12V-120V | Gray-Brown          | Standard   | Gray-Brown           | USA/Canada | Dometic |

# PARTS LIST

**MODEL  
 RM4223  
 Series**

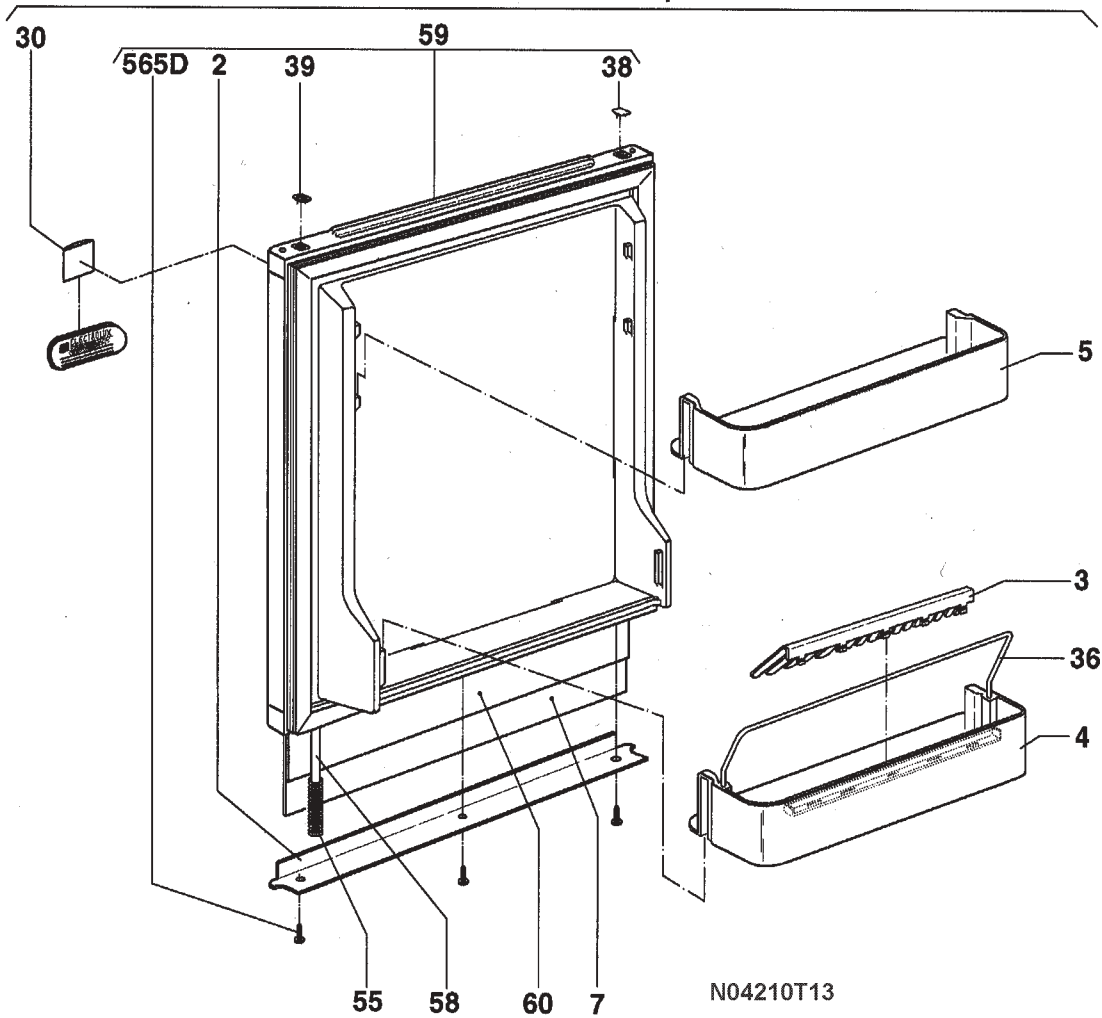
**ALPHABETICAL INDEX**

|                                   | Page# | Index#   |
|-----------------------------------|-------|----------|
| Cabinet, Components .....         | 4-5   | 202-565K |
| Gas & Electric Components .....   | 6-7   | 402-513  |
| Control & Burner Components ..... | 8-9   | 101-327  |
| Door Assm. ....                   | 3     | 1-565D   |
| Wiring Diagram .....              | 13    | —        |

**SPECIFICATIONS**

| Model  | RM4223  |
|--|---|
| <b>Product Number*</b>                               | 921130225<br>921130226<br>921130227<br>921130228<br>921130229 |
| <b>Energy Source</b>                                 | 12VDC, 120 VAC, Gas   |
| <b>AC Heating Element</b>                            |   |
| <b>Amperage</b>                                      | 1.00  |
| <b>Ohm Resis. +/- 10%</b>                            | 120   |
| <b>Wattage</b>                                       | 125   |
| <b>DC Heating Element</b>                            |   |
| <b>Watts</b>   | 125   |
| <b>Ohms</b>  | 12.0  |
| <b>Amperage</b>                                      | 10.4  |
| <b>BTU's Gas Burner</b>                              | 1080  |
| <b>Jet Size</b>                                      | 43  |
| <b>Flue Baffle</b>                                   |   |
| <b>Size</b>  | 3-15/16" x 25/32"   |
| <b>Position Above Burner</b>                         | 1-15/32"  |
| <b>Bottle Holders</b>                                | 1   |
| * Product number located on refrigerator data plate. |   |

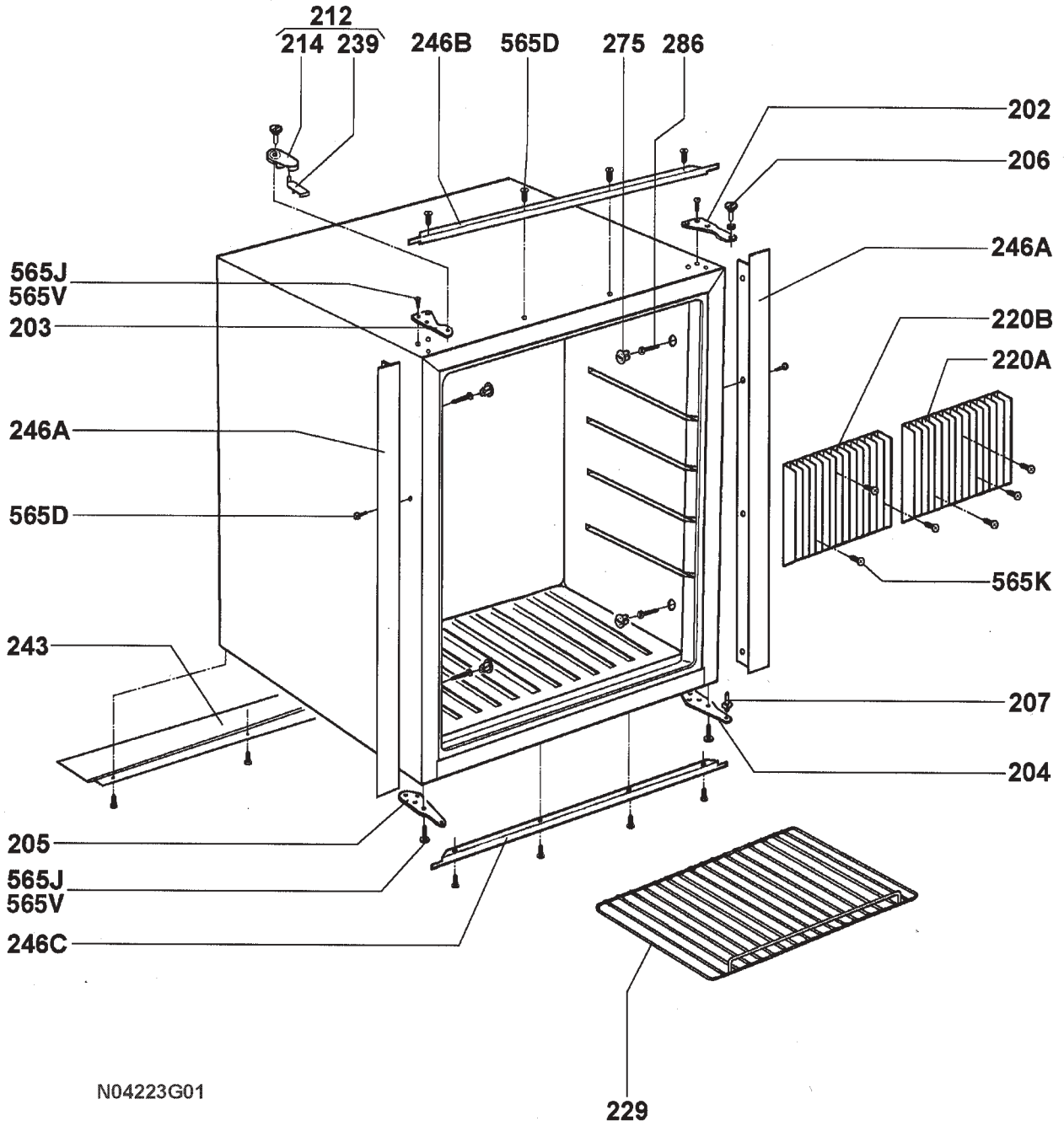
# DOOR ASSEMBLY



| Index # | Part #     | 921130225 | 921130226 | 921130227 | 921130228 | 921130229 | Description                  |
|---------|------------|-----------|-----------|-----------|-----------|-----------|------------------------------|
|         |            | A         | B         | C         | D         | E         |                              |
| 1       | 2106305705 | A         | B         | C         | --        | E         | Door, Complete               |
|         | 2106305002 | --        | --        | --        | D         | --        | Door, Complete               |
| 2       | 2951240155 | A         | B         | C         | --        | E         | Trim, Door Frame Gray        |
|         | 2951240106 | --        | --        | --        | D         | --        | Trim, Door Frame Gray/Brown  |
| 3       | 2951237003 | A         | B         | C         | D         | E         | Holder, Bottle White L=384mm |
| 4       | 2951238100 | A         | B         | C         | D         | E         | Shelf, White L=384mm         |
| 5       | 2951239009 | A         | B         | C         | D         | E         | Shelf, White L=384mm         |
| 38      | 2951297056 | A         | B         | C         | --        | E         | Cover, Gray                  |
|         | 2951297007 | --        | --        | --        | D         | --        | Cover, Gray/Brown            |
| 565D    | 7296279016 | A         | B         | C         | D         | E         | Screw, C 3.5x9.5             |

Only Those Parts Identified With An Index Number Are Available For Service Replacement.

# CABINET, COMPONENTS



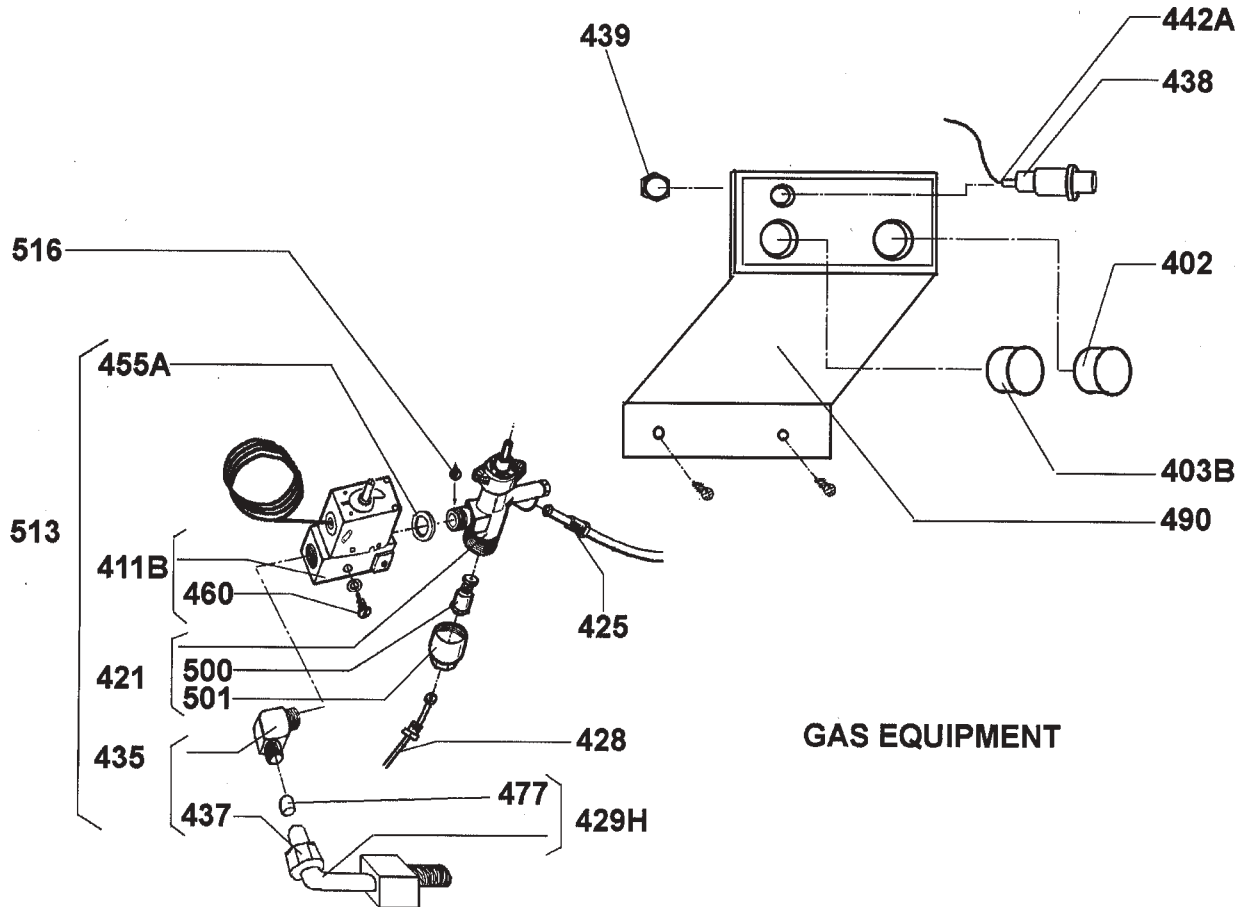
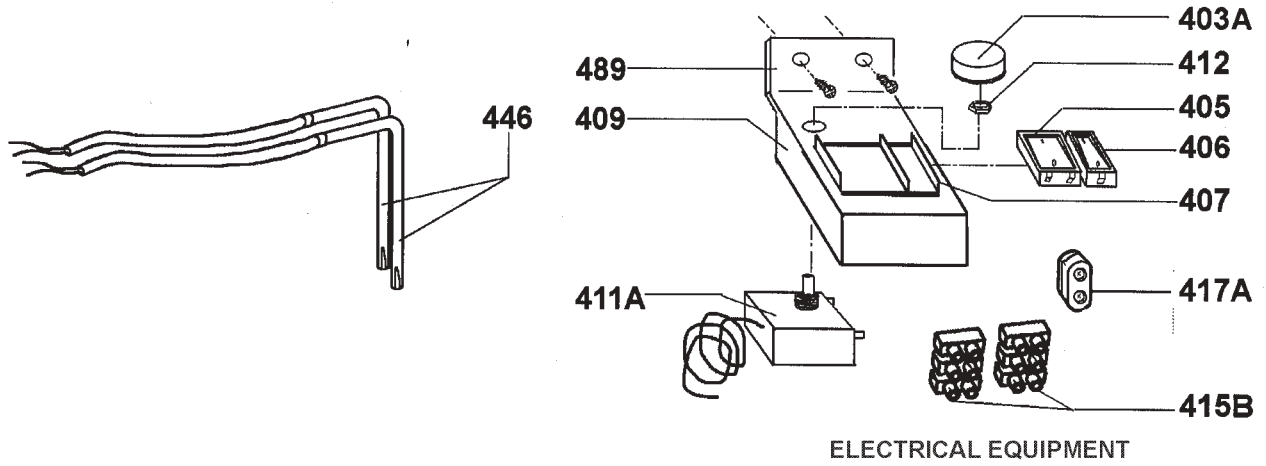
Only Those Parts Identified With An Index Number Are Available For Service Replacement.

## CABINET, COMPONENTS

| Index # | Part #     | 921130225 | 921130226 | 921130227 | 921130228 | 921130229 | Description                         |
|---------|------------|-----------|-----------|-----------|-----------|-----------|-------------------------------------|
|         |            | A         | B         | C         | D         | E         |                                     |
| 202     | 2951246400 | A         | B         | C         | D         | E         | Hinge, Upper RH Chrome              |
| 203     | 2951247408 | A         | B         | C         | D         | E         | Hinge, Upper LH Chrome              |
| 204     | 2951248000 | A         | B         | C         | D         | E         | Hinge, Lower RH Chrome              |
| 205     | 2951249008 | A         | B         | C         | D         | E         | Hinge, Lower LH Chrome              |
| 206     | 2923005009 | A         | B         | C         | D         | E         | Screw, Hinge Chrome                 |
| 207     | 2926265006 | A         | B         | C         | D         | E         | Screw, Hinge Chrome 19.5mm          |
| 212     | 2952140032 | A         | B         | C         | --        | E         | Door Lock Complete Gray             |
|         | 2952140008 | --        | --        | --        | D         | --        | Door Lock, Complete Gray/Brown      |
| 214     | 2952141030 | A         | B         | C         | --        | E         | Door Lock Gray                      |
|         | 2952141006 | --        | --        | --        | D         | --        | Door Lock Gray/Brown                |
| 220A    | 2106303106 | A         | B         | C         | D         | E         | Fins, RH                            |
| 220B    | 2927839502 | A         | B         | C         | D         | E         | Fins, LH                            |
| 229     | 2106302157 | A         | B         | C         | D         | E         | Shelf Wire 2.5x260x422mm            |
| 239     | 2952139034 | A         | B         | C         | --        | E         | Support , Door Lock Gray            |
|         | 2952139000 | --        | --        | --        | D         | --        | Support Door Lock Gray/Brown        |
| 243     | 2951896105 | A         | B         | C         | D         | E         | Mounting Rail, Back-Bottom L=402mm  |
| 246A    | 2951886015 | A         | B         | C         | --        | E         | Stop, Rail Side, Right & Left L=539 |
|         | 2951886007 | --        | --        | --        | D         | --        | Stop, Rail Side, Right & Left L=539 |
| 246B    | 2951887138 | A         | B         | C         | D         | E         | Top Frame L=486mm                   |
|         | 2951887104 | --        | --        | --        | D         | --        | Top, Frame L=486mm                  |
| 246C    | 2951887237 | A         | B         | C         | --        | E         | Bottom Frame L=486mm                |
|         | 2951887203 | --        | --        | --        | D         | --        | Bottom Frame L=486mm                |
| 565D    | 7296279016 | A         | B         | C         | D         | E         | Screw, 3.5x9.5                      |
| 565J    | 7296342012 | A         | B         | C         | D         | E         | Screw, B8x13                        |
| 565K    | 2951230008 | A         | B         | C         | D         | E         | Screw, Lens B4.8x19                 |

**Only Those Parts Identified With An Index Number Are Available For Service Replacement.**

## GAS & ELECTRIC COMPONENTS



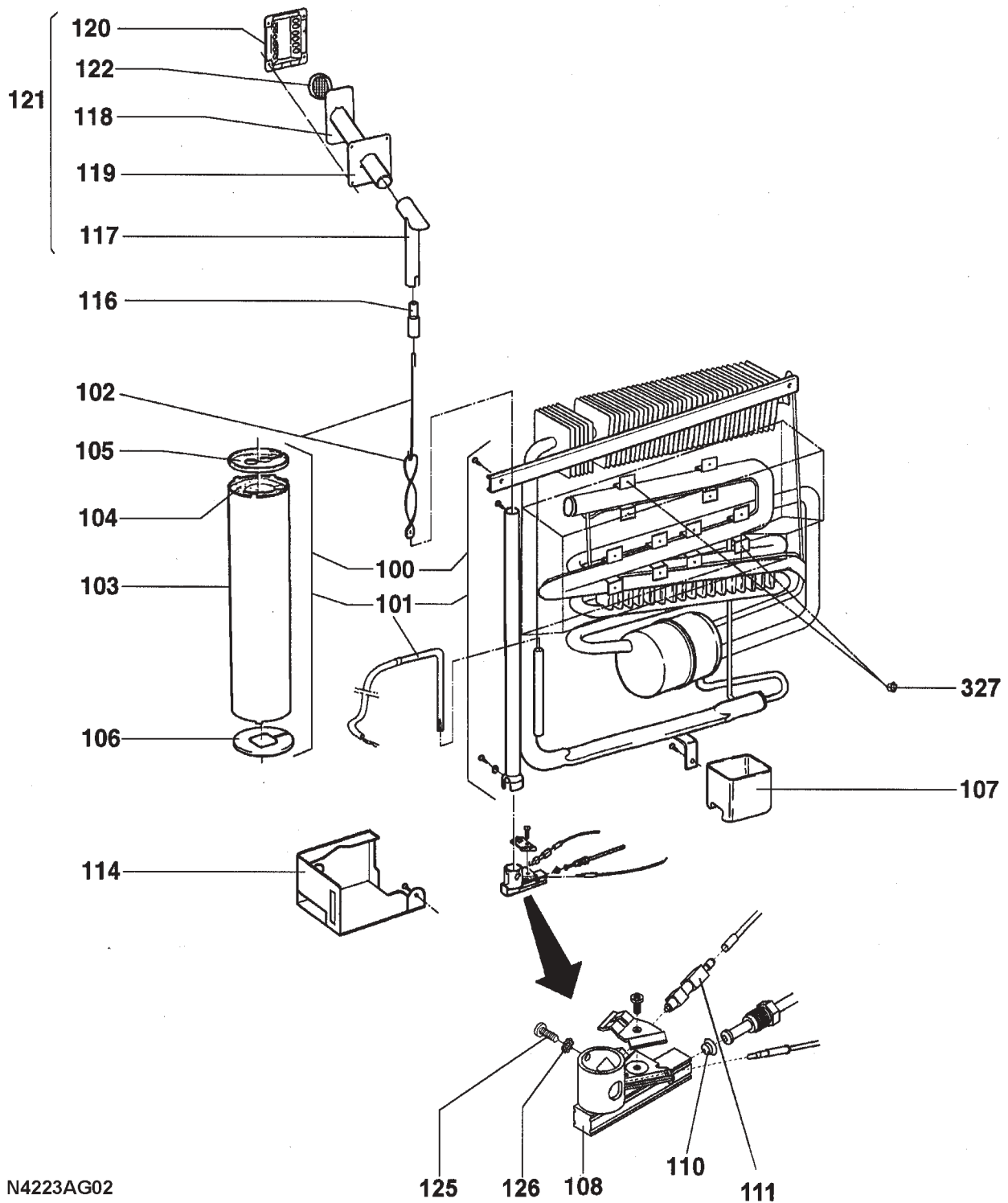
Only Those Parts Identified With An Index Number Are Available For Service Replacement.

## GAS & ELECTRIC COMPONENTS

| Index # | Part #     | 921130225 | 921130226 | 921130227 | 921130228 | 921130229 | Description                   |
|---------|------------|-----------|-----------|-----------|-----------|-----------|-------------------------------|
|         |            | A         | B         | C         | D         | E         |                               |
| 402     | 2923334359 | A         | B         | C         | --        | E         | Knob, Gas                     |
|         | 2923334342 | --        | --        | --        | D         | --        | Knob, Gas Gray/Brown          |
| 403A    | 2923468355 | A         | B         | C         | --        | E         | Knob, Thermostat Gray         |
|         | 2923468348 | --        | --        | --        | D         | --        | Knob, Thermostat Gray/Brown   |
| 403B    | 2923530253 | A         | B         | C         | --        | E         | Knob, Gas Tstat               |
|         | 2923530246 | --        | --        | --        | D         | --        | Knob, Gas Tstat Gray/Brown    |
| 405     | 2951433107 | A         | B         | C         | D         | E         | Switch, AC                    |
| 406     | 2951398201 | A         | B         | C         | D         | E         | Switch, 12VDC                 |
| 407     | 2923815167 | A         | B         | C         | --        | E         | Frame, Switch Gray            |
|         | 2923815134 | --        | --        | --        | D         | --        | Frame, Switch Gray/Brown      |
| 409     | 2952005003 | A         | B         | C         | D         | E         | Cover, Electric               |
| 411     | 2926528122 | A         | B         | C         | D         | E         | Thermostat, Electric          |
| 412     | 2927881009 | A         | B         | C         | D         | E         | Nut, Tstat 10x0.75            |
| 415B    | 2923466045 | A         | B         | C         | D         | E         | Therminial Board, 3 Pole      |
| 417A    | 2926560000 | A         | B         | C         | D         | E         | Strain Releif, Black          |
| 425     | 2106369107 | A         | B         | C         | D         | E         | Gas Inlet Pipe                |
| 428     | 2923435321 | A         | B         | C         | D         | E         | Thermocouple L=1400mm         |
| 429H    | 2106338508 | A         | B         | C         | --        | --        | Gas Connection Complete       |
|         | 2952011001 | --        | --        | --        | D         | E         | Gas Connection Complete       |
| 435     | 2923846600 | A         | B         | C         | --        | --        | Gas Connection Angle Complete |
| 437     | 2927903100 | A         | B         | C         | --        | --        | Union Nut                     |
| 438     | 2923024109 | A         | B         | C         | D         | E         | Piezo Ignitor                 |
| 442A    | 2951918149 | A         | B         | C         | D         | E         | Ignition Cable                |
| 446     | 2951997101 | A         | B         | C         | D         | E         | Heater 12VDC/125W             |
|         | 2951998117 | A         | B         | C         | D         | E         | Heater 120VAC/125W            |
| 477     | 2923191007 | A         | B         | C         | D         | E         | Filter, Gas                   |
| 489     | 2951900204 | A         | B         | C         | D         | E         | Holder Plate, Electric        |
| 490     | 2952003206 | A         | B         | C         | D         | E         | Holder Plate, Gas             |
| 513     | 2952168710 | A         | B         | C         | --        | --        | Valve, Complete               |
|         | 2952168819 | --        | --        | --        | D         | E         | Valve, Complete               |

**Only Those Parts Identified With An Index Number Are Available For Service Replacement.**

## CONTROL & BURNER COMPONENTS



N4223AG02

Only Those Parts Identified With An Index Number Are Available For Service Replacement.

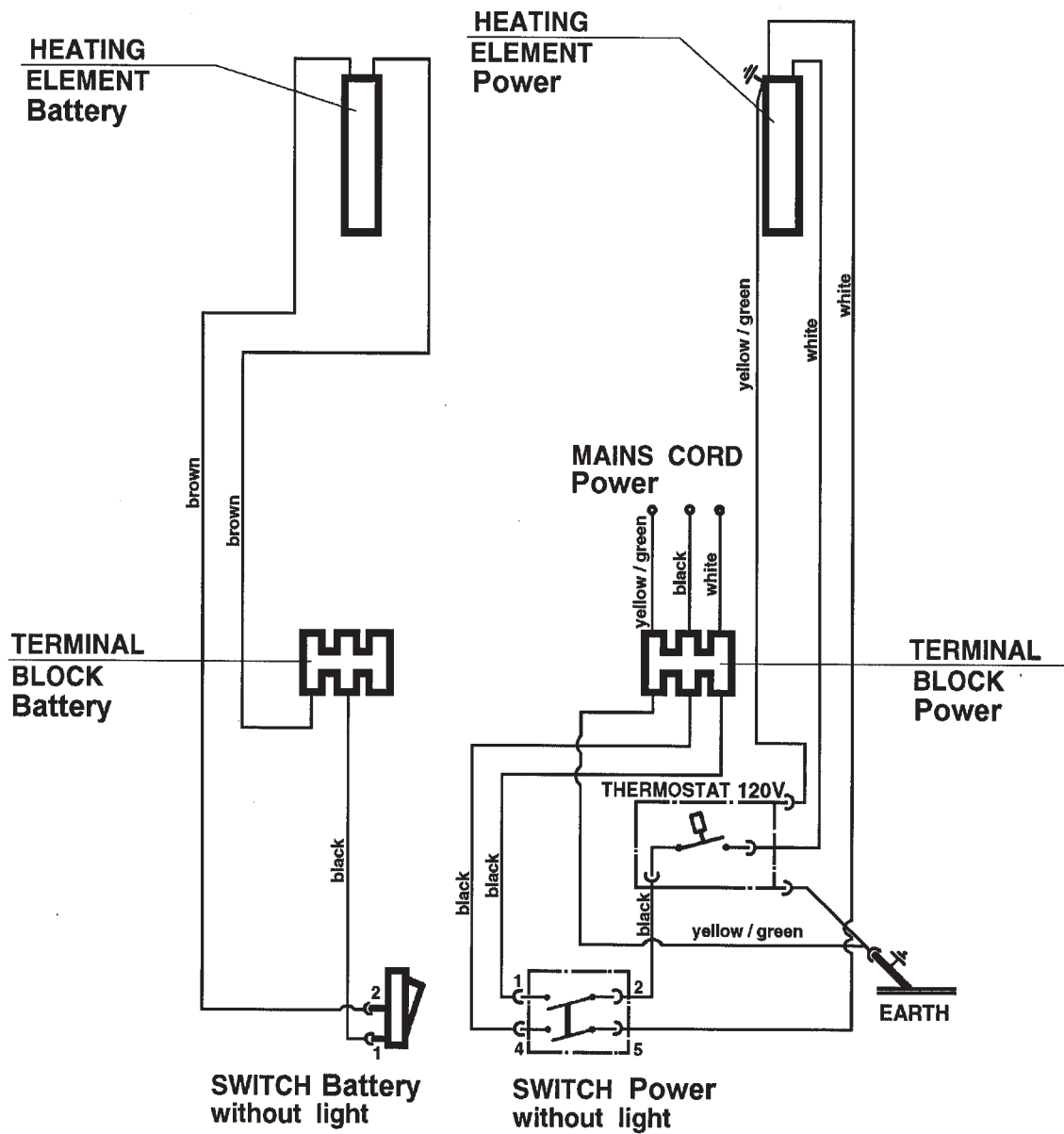


## CONTROL & BURNER COMPONENTS

| Index # | Part #     | 921130225 | 921130226 | 921130227 | 921130228 | 921130229 | Description           |
|---------|------------|-----------|-----------|-----------|-----------|-----------|-----------------------|
|         |            | A         | B         | C         | D         | E         |                       |
| 101     | 2106311117 | A         | B         | C         | D         | E         | Cooling Unit          |
| 102     | 2926212701 | A         | B         | C         | D         | E         | Flue Baffle           |
| 103     | 2924082205 | A         | B         | C         | D         | E         | Sleeve, Boiler        |
| 104     | 2926680139 | A         | B         | C         | D         | E         | Insulation, Boiler    |
| 105     | 2924979004 | A         | B         | C         | D         | E         | Top Cover, Boiler     |
| 106     | 2924089002 | A         | B         | C         | D         | E         | Cover, Bottom, Boiler |
| 108     | 2923430603 | A         | B         | C         | D         | E         | Burner                |
| 110     | 2922033069 | A         | B         | C         | D         | E         | Jet #43               |
| 111     | 2923626002 | A         | B         | C         | D         | E         | Electrode             |
| 114     | 2952083018 | A         | B         | C         | D         | E         | Cover, Burner         |
| 117     | 2952444301 | A         | B         | C         | D         | E         | T-Flue                |
| 125     | 2952435408 | A         | B         | C         | D         | E         | Screw, M4x6           |
| 126     | 2926559036 | A         | B         | C         | D         | E         | Washer, Lock          |
| 327     | 2106626001 | A         | B         | C         | D         | E         | Nut                   |

**Only Those Parts Identified With An Index Number Are Available For Service Replacement.**

# WIRING DIAGRAM



N292682750EN