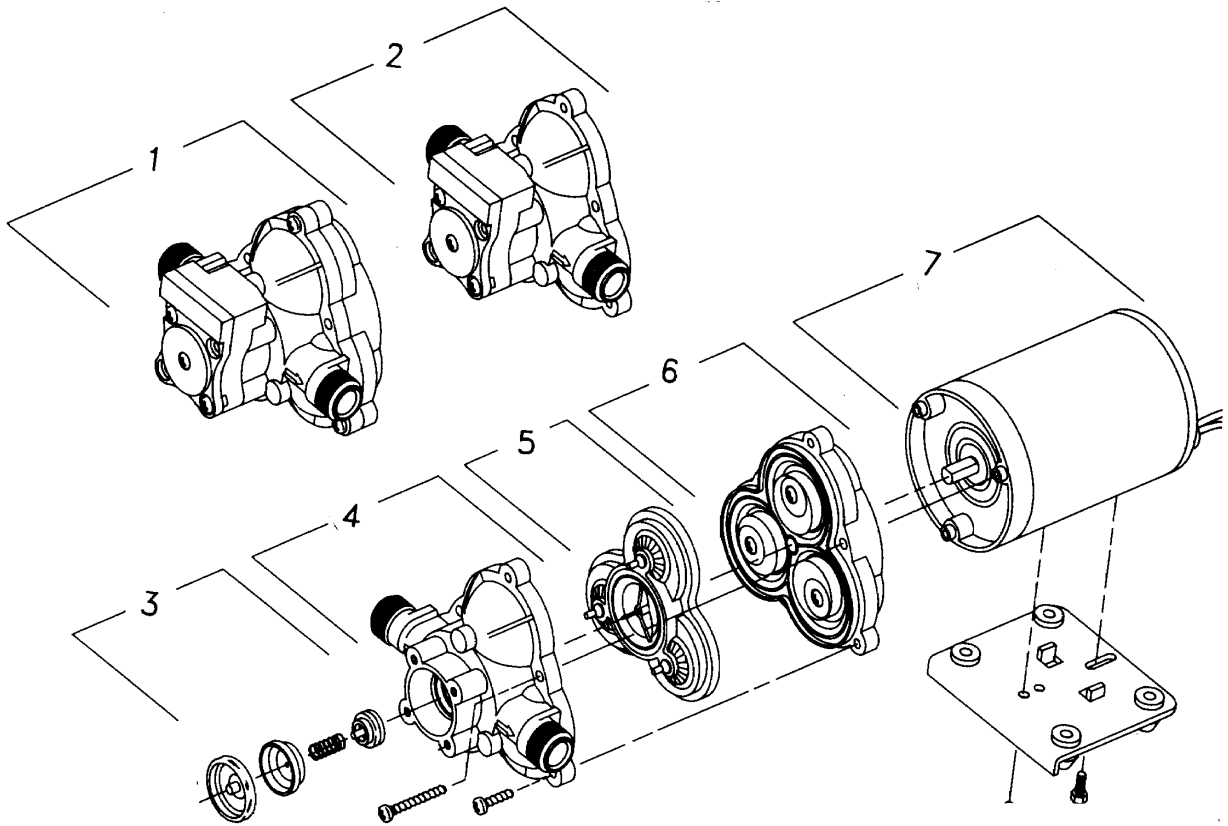


## Trail King 7

For Pumps Numbered :  
2095 - 204 - XXX



Key No.	Description	Manufacturers No.	Burden No.
1	Complete Pump Head	94.236.16	
2	Upper Housing / Switch Assembly	94.231.24	560700
3	Check Valve Assembly	94.237.00	560669
4	Upper Housing	94.231.30	560672
5	Valve Assembly	94.232.06	560667
6	Diaphragm / Drive Assembly	94.238.06	560673
7	Motor 12v	11.189.00	