



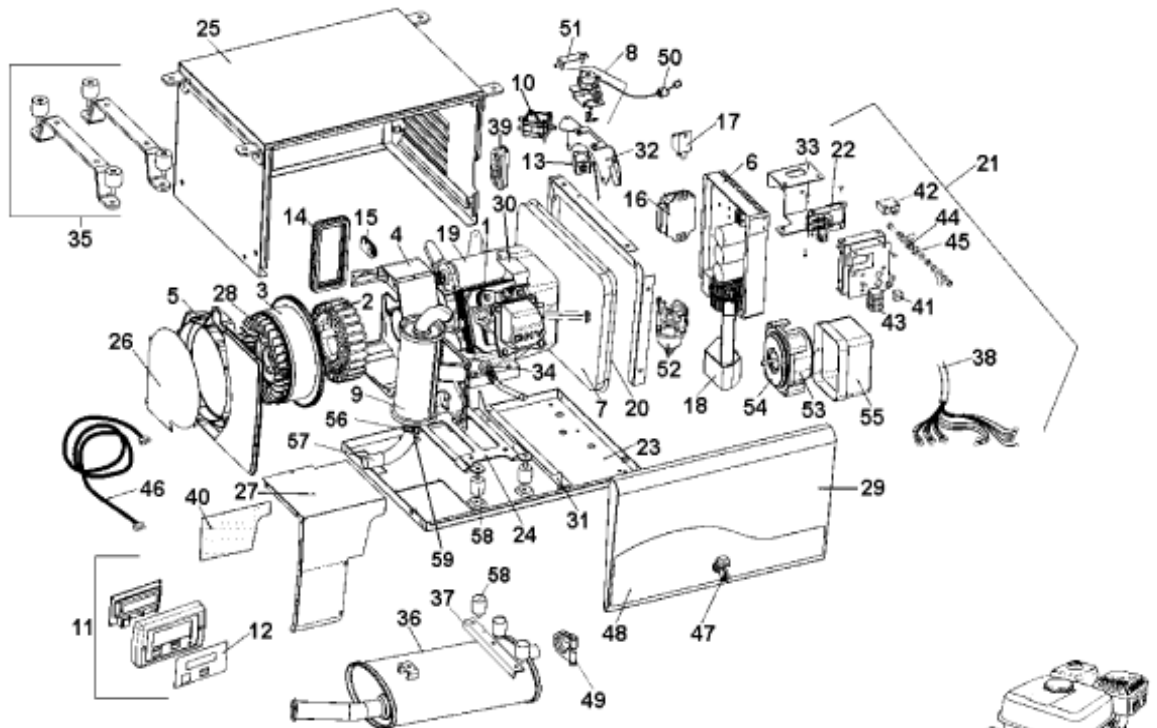
Dometic

The Sign of Comfort

TEC 29



Net Weight:	44Kgs
Maximum Output:	2900 W
Continuous Output:	2600 W
Dimensions:(DxHxW)	385x290x480 mm
Frequency:	50Hz
Engine:	GX 160/5.5 HP
Engine, HP:	5.5
Displacement:	163.4 cm ³
Consumption max:	1.2 l/h
Sound Level:	54/57

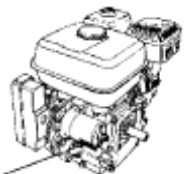


Nur die im Text aufgeführten Ersatzteile sind tatsächlich im Produkt!
 Only the spare parts which are listed, are really in the product!

Bitte bestellen Sie alle Ersatzteile, die den Motor betreffen, direkt bei der Firma Honda. Dafür geben Sie bitte die Motor Kennnummer an.
 Please send orders concerning spare parts for the motor to the company Honda, directly. Therefore please take the engine code.

Motor Kennnummer
 engine code

Gehäuse TEC 29
 (N000TEC29)



COMPLETE APPLIANCE

	RESISTOR	3869001853
	OPERATING INSTRUCTINONS	8250200378
2	STATOR	3867000220
3	ROTOR	3867000238
4	SPARES	3862100256
5	AIR GUIDE	3862100215
6	INVERTER	3869001754
7	SIDE PANEL, MOTOR	3869001762
8	SERVOMOTOR	3869001887
9	MUFFLER	3864200062
10	FUEL PUMP	3864600030
11	CONTROL PANEL	3869002307
12	BADGE, OPERATING PANEL	3868500418
13	STARTER	3865000057
14	SEAL	3862500349
15	FEED THROUGH	3862500356
16	REGULATOR, 12V	3865200061
17	STARTER, RELAY	3865000081
18	SUCTION SPIGOT	3862300690
19	STARTER, 12V / 250W	3867200127
20	SEAL, 895 / 6, L = 1,8M	3862500315
21	OPERATING PANEL, COMPELTE	3869001747
22	CONNECTION BOX, OPERATING PANEL	3865200178
23	BASEPLATE	3861401556
24	FIXING	3861401630
25	CABINET	3869001697
26	COVER, AIR GUIDE	3861401408
27	BAFFLE WALL	3861401820
28	FAN WHEEL	3862300823
29	DOOR, COMPLETE	3869001705
30	PROTECTION COVER, SPARK PLUG	3861401671
31	FIXING ANGLE, SIDE PANEL	3861401606
32	FIXING	3861401523
33	FINXING, OPERATING PANEL	3861500522
34	OIL-LEVEL GAUGE, RED	3862301037
35	FIXING BRACKET	3869001499
36	MUFFLER	3864200096
37	FIXING MUFFLER	3861401861
38	WIRING HARNESS, TEC29	3866001955
39	GUIDE	3862500273
40	HEATING SHEILD	3863500447
41	CLAMP, MK 2 / 3 KRG	3866000411
42	THERMO-SWITCH, 15A / 12V	3866000593
43	CLAMP, MK 6 / 3, COD 062032	3866002102
44	PLAIN WASHER, D.7X16H7 / D.10 X	3861000457
45	PLAIN WASHER, D.10, 5X16 H3	3861000465
46	CONNECTION WIRING, L = 5M	3866001971
47	LOCK	3864000017
48	BADGE, DOOR	3868500392
49	COLLAR, D = 25MM	9585006514

50	BOWDEN CABLE	3866002094
51	FIXING	3861401879
52	CARBURETTOR	3862100249
53	AIR FILTER	3864400043
54	AIR FILTER, CABINET	3862301128
55	AIR FILTER, COVER	3862301136
56	UNION NUT	3861000416
57	BENT, MUFFLER	3864200104
58	DAMPING MAT	3862500232
59	DISC	3860140338