

## GENERAL INDEX

<b>GB</b>	.....	Pag.	1÷9
I	.....	Pag.	10÷18
D	.....	Pag.	19÷27
NL	.....	Pag.	28÷36
F	.....	Pag.	37÷45
SP	.....	Pag.	46÷54

## INDEX

Description	Page
<b>1.0 Identification</b> .....	2
1.1 Manufacturer .....	2
1.2 Definitions .....	2
1.3 Transport - Handling - storage .....	2
1.3.1 Storage conditions .....	2
1.3.2 Weight .....	2
1.3.3 Overall dimensions .....	2
1.3.4 Handling .....	2
<b>2.0 Installation</b> .....	2
2.1 Authorised personnel .....	2
2.2 Mounting the generator .....	3
2.3 Electrical connections .....	3
2.3.1 Connection of the battery recharger .....	3
2.3.2 Connection of the starter battery .....	3
2.3.3 Connection of the remote control panel .....	3
2.4 Installing the fuel tank .....	3
Connection to gas canister .....	3
<b>3.0 General operation</b> .....	4
3.1 Description of generator and functioning .....	4
3.2 Safety advice .....	4
3.3 Noise levels .....	4
<b>4.0 Instructions for use</b> .....	5
4.1 Starting the generator .....	5
4.2 Stopping the generator .....	5
4.3 Inherent risks .....	5
4.4 Improper use .....	5
4.5 Useful advices .....	5
4.6 Troubleshooting .....	5
<b>5.0 Maintenance operations</b> .....	6
5.1 Nature and frequency of checks .....	6
5.2 Maintenance operations which do not require qualified technicians .....	6
5.3 Maintenance operations which require qualified technicians .....	6
5.3.1 Oil change .....	7
5.3.2 Air filter maintenance .....	7
5.3.3 Spark plug maintenance .....	7
5.3.4 Regulating the voltage .....	8
<b>6.0 Inactivity and dismantling</b> .....	8
6.1 Dismantling .....	8
<b>7.0 Dealing with fire hazards</b> .....	8
<b>8.0 Technical data sheet</b> .....	9
8.1 Technical specifications .....	9
8.2 Wiring diagrams .....	55÷71

© WTA srl -1998

All rights reserved

Printed in Italy


Text and graphics by: VEGA - Forli

No part of this publication may be reproduced, copied or transmitted in any form or by any means without prior written permission from **WTA srl**.

Figures, descriptions, reference and technical data in this manual are given as mere example and are not binding.

Because of **WTA** policy of continual product and safety improvement, we reserve the right to make changes at any time without notice.

## 1.0 IDENTIFICATION

The  identification plate of the machine is affixed outside the plate casing (see fig. 1).

### 1.1 MANUFACTURER

WTA srl  
Via Virgilio, 3  
47100 FORLI' - ITALY  
P. IVA 00718330400

### 1.2 DEFINITIONS

In this handbook, three types of "safety graphics" are used to point out different levels of danger or any other important information:



#### DANGER

*Draws attention to potentially dangerous situations which may cause serious personal injury.*



#### CAUTION

*Draws attention to potentially dangerous situations which may cause personal injury or material damage.*



#### IMPORTANT

*Draws attention to situations which may cause malfunctioning or damage to the machine.*

## 1.3 TRANSPORT - HANDLING - STORAGE

### 1.3.1 STORAGE CONDITIONS

The generator is protected against sudden impact by suitable packing consisting of cardboard, polystyrene and a wooden frame support.

The generator should be stored horizontally in a dry and well-ventilated room.

### 1.3.2 WEIGHT

Gross weight (including packing):

Mod. 1000 .....	Kg	50
Mod. 2500 .....	Kg	62
Mod. 3000 .....	Kg	71
Mod. 4000 .....	Kg	114
Mod. 5500 .....	Kg	140

### 1.3.3 OVERALL DIMENSIONS

See figg. 2, 3, 4 :

		Model				
		1000	2500	3000	4000	5500
TYPE "A" INSTALLATION	A mm	470	530	570	660	700
	B mm	535	605	650	740	--
	C mm	565	640	680	770	--
	D mm	320	385	385	475	515
	E mm	315	290	290	355	510
	F mm	260	295	295	310	--
	G mm	27	30	30	62	--
	H mm	--	360	360	--	--
TYPE "B" INSTALLATION	I mm	65	87	113	78	--
	L mm	65	96	97	265	--
	M mm	225	222	230	130	--
	N mm	36	28	25	17	--
	O mm	535	605	650	740	735
	P mm	27	30	30	62	55
	Q mm	260	295	295	310	370
	OPENING DIM.	X mm	590	650	690	780
Y mm		385	430	435	540	505
Z mm		335	305	305	380	550
Air intake area						
	cm <sup>2</sup>	220	220	220	260	

### 1.3.4 HANDLING

The packed generator can be handled by normal means of lifting and transport.

Boxes are fitted with spacers which enable the use of manual fork-lifts.



#### DANGER

*Strictly observe the accident prevention precautions and safety regulations during lifting and transport, and always use machines with a higher maximum capacity than the load to be lifted.*

## 2.0 INSTALLATION

### 2.1 AUTHORISED PERSONNEL

The generator shall be installed onto the vehicle (caravan, motorhome or special vehicle) by authorised personnel only, namely by skilled technicians or workshops, authorised directly by W.T.A.

If the installation is carried out by non-authorized technicians

or workshops, W.T.A. disclaims any responsibility for the safety and efficient running of the generator according to the M.D. 89/392/EEC.



## DANGER

The instructions given in sections 2.2 - 2.3 - 2.4 are addressed to qualified technicians only.

## 2.2 MOUNTING THE GENERATOR

Generators mod. 1000 - 2500 - 3000 - 4000 are provided with fixing brackets, vibration dampers and petrol filter to be placed on the fuel feed hose to the generator. Brackets allow either suspended type "A" mounting (see fig. 3) or traditional type "B" mounting (see fig. 4).

This is made possible by the supporting frame of the outer casing.

Generator mod. 5500 is provided with brackets for fixing the external seal, brackets for anchoring the unit, vibration dampers, silencer (pos. 29 fig. 16) to be coupled to the exhaust hose delivered as accessory AG 125 (pos. 34 fig. 16), and fuel filter which is standard installed inside the casing (pos. 33 fig. 15). The brackets (pos. 31 fig. 16) which allow to fix the seal (pos. 35 fig. 16) allow to mount the generator complete with seal inside the arranged compartment and to perfectly seal the vehicle side. The exhaust hose can be positioned at will as shown in fig. 16 by rotating the curve inwards to either upper position or lower position. By removing the curve, it is also possible to directly fit the exhaust pipe by crossing the casing on its left-hand side. The prearranged floor must tolerate both the generator mass and the vibrations due to the motion of the vehicle ("TYPE B" mounting).

The type "A" mounting (suspended installation) offers the following advantages: reduced overall dimensions, quick installation, easy access for both ordinary and extraordinary maintenance operations.

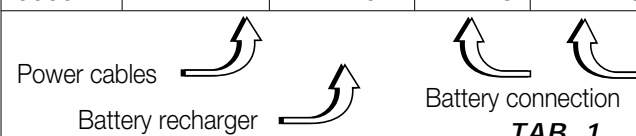
Make sure there is enough space around the generator casing for air to pass freely (for cooling). It is also necessary to leave at least 20 mm distance between the casing and the surrounding parts.

If the breathing manifold is positioned behind one of the vehicle's wheels, make sure that the tyre is prevented from throwing water into the casing when travelling on wet roads. For the type "A" mounting, use the plate supports provided to ensure that the genset is fixed securely. If type "B" mounting is preferred (traditional installation), a watertight compartment (fig. 2), set towards the vehicle interior and having the dimensions given in section 1.3.3, needs to be prearranged, with exhaust holes and air inlets drilled into the floor and door. In addition, use an exhaust union (fig. 4), supplied as accessory, to be fixed directly onto the generator casing with screws or rivets. In order to prevent the exhaust gas recycling within the compartment, place flameproof sealing around the exhaust union.

## 2.3 ELECTRICAL CONNECTIONS

For the 230V use a standard cable with cross-section according to table 1 below. Pass it inside the casing via the airlead (pos. 30 fig. 7 and 9) and connect to the terminals (pos. 17/18 fig. 6 and 14). Connect the earth wire to pos. 15. The electrical circuit should have a relay or change-over switch (such as accessory AG102/AG113), so as to prevent any damage to the generator when the camper is connected to an external mains supply (precedence is automatically given to the mains).

Mod.	Cross-section mm <sup>2</sup> -230 V	Cross-section mm <sup>2</sup> -12 V	6 m	> 6 m
1000	1.5	6	10	16
2500	2.5	2.5	10	16
3000	2.5	2.5	10	16
4000	4	2.5	10	16
5500	4	2.5	16	25



Power cables      Battery recharger      Battery connection

**TAB. 1**

### 2.3.1 CONNECTION OF BATTERY RECHARGER

Use a wire with minimum cross-section according to table 1 above to connect the terminal (pos. 16 fig. 6 and 14) to the positive lead of the battery to be recharged.

Insert the AG111 voltage regulator, or alternatively a switch, to interrupt recharging when complete.

(See wiring diagrams, pages 55 ÷ 71).

### 2.3.2 CONNECTION OF STARTER BATTERY

For starting the generator, connect the positive terminal of the vehicle's starter battery to pos. 12 fig. 6 and 14 using a flame-resistant sheathed cable having a cross-section according to table 1 above.

The earth cable should have the same cross-section and be connected from pos. 13 to the vehicle chassis. Make sure that a clean, rust-free contact is made (i.e. rub down surface if painted), and protect with grease.

### 2.3.3 CONNECTION OF REMOTE CONTROL PANEL

Fix the control panel in desired position inside the vehicle and use the individually-tested AG103 extension cable to connect it to the genset by means of the connector pos. 14 fig. 6 and 14.

## 2.4 INSTALLING THE FUEL TANK

Install the fuel tank as near as possible to the generator and if possible on the same horizontal level, or up to 30cm below. As well as reducing the length of fuel pipe as much as possible, make sure it is not bent or squashed. Do not put the tank near sources of heat, and make sure that water

cannot infiltrate.

Use LOCTITE 577 to make all connections, so as to prevent fuel leakages.

To connect the fuel tank to the generator, use a 6x13mm rubber-coated tube, of the same type used for the genset and suitable for unleaded petrol. For the extension, use the ties and filter provided. It is advisable to use fuel hose AG118 (accessory) for the connection from tank to refuelling-mouth.



## IMPORTANT

Model 5500 does not need fuel tank, since it is standard fitted inside the genset casing.



## DANGER

- The unit shall be used only and exclusively with the door closed.
- Keep inflammable substances like petrol, paints, solvents, etc. away from the generator.
- Do not let hot parts of the genset come into contact with inflammable materials.
- Do not fill up with the engine running if the tank is placed close to the generator.
- Do not touch the generator or its connections with wet hands.
- Do not replace the fuses or thermal switches with new ones of higher amperage.
- Any check of the electrical parts shall be made with engine stopped and by authorised technicians only.

## CONNECTION TO GAS CANISTER



## CAUTION

For the LPG genset, withdraw the gas from the upright canister before the vehicle's service regulator and from the upper part, so that gas enters the genset at high pressure and in the gaseous state.

(Minimum recommended pressure: 0.7- 0.9 bar)

The generator is manufactured according to the safety rules given in the Conformity Declaration.

## 3.3 NOISE LEVELS

The generator has been submitted to a noise emission test at a qualified ISTEDIL lab, where all the necessary tests were carried out and EC Certificate No.I-225/92 issued, stating following results:

Measured according to: EC DIRECTIVE 84/536

NOISE LEVEL:

Mod. 1000 .....	LwA	81
Mod. 2500 .....	LwA	85
Mod. 3000 .....	LwA	85
Mod. 4000 .....	LwA	87
Mod. 5500 .....	LwA	87

## 3.0 GENERAL OPERATION



## IMPORTANT

The firm disclaims any responsibility for damages arising from malfunctioning of the generator.

## 3.1 DESCRIPTION OF GENERATOR AND FUNCTIONING

The generator consists of an endothermic petrol engine connected to an alternator which produces both alternate and direct current.

The unit comes in a soundproof casing made of pressed steel plate and insulated with special deadening materials. Fuel comes to the combustion engine through a pump which is standard fitted on the unit itself.

## 3.2 SAFETY ADVICE

The unit is housed within a perfectly closed casing. Therefore, there is no danger of accidental contacts with hot or moving parts or wires under voltage.

The door of the unit is fitted with lock and key and should not be left within the reach of children or non-authorised persons.

## 4.0 INSTRUCTIONS FOR USE

### 4.1 STARTING THE GENERATOR

Normally the vehicle's 12V battery is used to start the genset.

First press the red button (pos. 27 fig. 5) on the control panel into the "I" position.

To start the genset from cold, press and hold down the green START button (pos. 25 fig. 5) together with the white CHOKE button (pos. 26 fig. 5) for max. 5 seconds.

When starting the LPG generator from cold, press the green button (pos. 25 fig. 5) and at the same time "blip" the white button (pos. 26 fig. 5) for about a second at intervals of around 3 seconds. As soon as the engine fires, release both buttons.

If the engine does not start, wait a few seconds, then repeat the operation.



### CAUTION

*Do not make prolonged or repeated (more than 5 consecutive) attempts to start the genset, as this may damage the starter motor.*

To start the genset when already warmed-up, or during the summer, when the outside temperature is high, press the green "START" button (pos. 25 fig. 5) only.

In an emergency the genset can be started manually using the pull-cord handle (pos. 4 fig. 8 and 15) and holding the choke magnet (pos. 36 fig. 8 and 15) shut with one hand if the engine is cold.

The green LED on the control panel ((pos. 23 fig. 5) indicates that the genset is running correctly.

### 4.2 STOPPING THE GENERATOR

Push the red "STOP" button (pos. 27 fig. 5) on control panel into the "0" position. Alternatively use the safety switch on the genset itself (pos. 7 fig. 6 and 14) for models 2500 - 3000 - 4000 - 5500.

### 4.3 INHERENT RISKS



### DANGER

*The generator is fitted with a combustion engine, and therefore runs on highly inflammable fuelstuffs.*

*Exhaust gases are conveyed under the casing and, although mixed with cooling air, they are inevitably hot.*

*Do not touch the parts of the casing close to the exhaust and do not place your hands or other objects within the duct.*

## 4.4 IMPROPER USE



### DANGER

*The generator is to be installed by qualified technicians only, according to the manufacturer's instructions.*

*The generator is to be used only and exclusively for producing current for mobile vehicles, fitted with a standard electrical circuit in keeping with the power supplied by the generator.*

## 4.5 USEFUL ADVICES

To use the genset at best, we remember you that little, but prolonged, overloads may cut off thermal switches pos. 10 and 11 shown in fig. 6 and 14.

During running-in, it is advisable that the new engine is not subjected to loads exceeding its nominal load by 70%, at least during the first 50 running hours.

## 4.6 TROUBLESHOOTING

We have listed below some problems which may occur, along with their respective causes and possible solutions. In the case of problems which are not listed below, please seek advice from an authorised after-sales service centre.

### 1 When the green "START" button (pos. 25 fig. 5) on the control board is pressed, the generator does not work.

Causes and Solutions:

- 1.1 Check that the red switch (pos. 27 fig. 5) is in the "I" position.
- 1.2 Electrical wires loose or disconnected. (Have checked by qualified personnel).
- 1.3 No power supplied to starter-motor. (Have checked by qualified personnel).
- 1.4 Earth wire of generator disconnected. (Have checked by qualified personnel).

### 2 The starter-motor turns, but the generator does not start.

Causes and Solutions:

- 2.1 No fuel: check.
- 2.2 No oil in engine. Check if the red warning light (pos. 6 fig. 5) on the control board blinks during the starting phase. Check the oil level and top up if necessary (see Maintenance section).
- 2.3 The safety switch (pos. 7 fig. 6 and 14) is in the "0" position. Check and press in the "I" position.
- 2.4 Check that the engine's spark-plug nipple is fully inserted.
- 2.5 No current to the spark plug. (Have checked by qualified personnel).
- 2.6 No fuel getting to the carburettor. (Have checked by qualified personnel).

### 3 The generator tends to stall.

Causes and Solutions:

- 3.1 No more fuel left in the tank: refill.
- 3.2 Low oil level.  
Check and top up.  
(See Maintenance section).
- 3.3 Air filter is dirty.  
(Have checked by qualified personnel).

### 4 The generator does not produce current

Causes and Solutions:

- 4.1 Thermal switch off.  
Set it to 'on' by pushing the switches (pos. 10 fig. 6 and 14) for 230V A.C., (pos. 11 fig. 6 and 14) for 12V D.C.
- 4.2 Condenser (pos. 19 fig. 8) damaged.  
(Have checked by qualified personnel).
- 4.3 Diode rectifier (pos. 21 fig. 8) damaged.  
In this case, only the 12V D.C. and the green LED on the control board are not working.  
(Have checked by qualified personnel).
- 4.4 Rotor diodes damaged.  
(Have checked by qualified personnel).
- 4.5 Frequency too low.  
(Have checked by qualified personnel).

### 5 The unloaded current produced oscillates.

Causes and Solutions:

- 5.1 Too much oil in the engine: check.
- 5.2 Defective carburation.  
Have the carburettor cleaned by qualified personnel.

## 5.0 MAINTENANCE OPERATIONS



### IMPORTANT

Use only genuine spare parts. The generator may get damaged if other than genuine parts having a different quality standard are used.

To make sure that the generator keeps working to maximum efficiency, it is essential that it is properly and regularly maintained. Additionally, a proper maintenance grants the generator a longer lifetime.



### DANGER

Before carrying out any check or maintenance operation on the genset, rotate safety switch (pos. 7 fig. 6 and 14) to "0" position to prevent any accidental startings of the unit.  
For mod. 1000, it is necessary to disconnect the spark-plug nipple (pos. 1 fig. 8), since no safety switch is fitted.

## 5.1 NATURE AND FREQUENCY OF CHECKS

ORDINARY MAINTENANCE INTERVAL carry out at the intervals or after the running hours given in the table, depending on which occurs first.		Every use	First month or 20 hours	Every 3 months or 50 hours	Every 6 months or 100 hours	Every year or 300 hours
Engine oil	Inspection	▲				
	Change		▲(2)		▲(2)	
Air filter	Cleaning			(1)▲(2)		
Spark plug	Inspection - Cleaning				▲(2)	
Valve adjustment	Check - adjust					▲(2)
Fuel filter and tank	Cleaning					▲(2)
R.p.m. or frequency	Adjust		▲(2)			▲(2)
Suspension points for vibration dampers	Inspection					▲(2)
Fuel hoses	Check (replace, if necessary)	Every two years (2)				

REMARK (1): Clean more frequently when used in dusty areas

(2): Get this work done by a specialist only

## 5.2 MAINTENANCE OPERATIONS WHICH DO NOT REQUIRE QUALIFIED TECHNICIANS

To carry out these operations, the generator door first needs to be opened. Therefore, the following measures should be taken:

- 1) The generator must be stopped with all parts cold.
- 2) Let the unit cool.
- 3) Set the safety switch to the "0" position.

N.B. Remember to set it to the "I" position again after check!

## OIL LEVEL CHECK

- 1) Remove the oil filling cap (pos. 9 fig. 8) and clean the dipstick.
- 2) Re-introduce the dipstick by screwing it in fully.
- 3) Remove the dipstick and check that the oil level is between min. and max. levels.

If not, top up with the recommended oil.

- 4) Refit the cap.



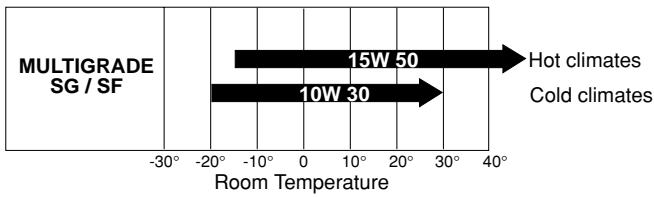
### IMPORTANT

All checks should be carried out with the genset horizontal.

## 5.3 MAINTENANCE OPERATIONS WHICH REQUIRE QUALIFIED TECHNICIANS

For some maintenance operations you need to slide the unit out on its runners (pos. 28 fig. 7 and 15) after first loosening the fixing screws.

## 5.3.1 OIL CHANGE



Use detergent oil for four-stroke engines, class API SG or SF (indicated on the oil can) with SAE viscosity suitable for the climate (see table).

To allow the oil to drain out easier, run the engine for about 3÷5 minutes. Then discharge the oil when the engine is still warm so that the emptying is quicker and more complete via the drainage hose (pos. 2 fig. 8 and 15) by removing the drain cap (pos. 8 fig. 8 and 15).

Top up with oil of the recommended type via the filling cap (pos. 9 fig. 8).

Table 2 shows the amount of oil in the oil pan.

Mod.	Liters
1000	0.45
2500	0.6
3000	0.6
4000	1.1
5500	1.1

**TAB. 2**



### DANGER

- Warm oil may burn you.
- Running the engine with a poor amount of oil can seriously damage the engine itself.
- Check the oil level when engine is stopped.



### IMPORTANT

Used oils must never be poured on the ground. They shall be collected and consigned to qualified companies for the disposal in accordance with any local regulations.

## 5.3.2 AIR FILTER MAINTENANCE



### IMPORTANT

A dirty air filter reduces the air flow to the carburettor. To keep the carburettor working properly, check it often. Check more frequently if the engine is used in dusty areas.



### DANGER

Never use diesel oil or solvents with a low evaporation point for cleaning the air filter, since this may lead to danger of flames or explosion.

Never let the engine run without the air filter. It would get damaged in a short space of time.

1. Carefully check both cartridges. Replace them if there are holes or tears (mod. 1000 H/HG is fitted with a single cartridge).
2. Sponge cartridge: wash it with a neutral detergent solution and rinse carefully. Let the cartridge dry completely, then soak it in clean engine oil and wring out the excess.
3. Paper cartridge: smoothly beat it several times on a hard surface to remove any dirt, or blow compressed air through the filter from inside to out. Do not brush the dirt: this operation would just push it into the fibres. If the paper cartridge is too dirty, replace it.

## 5.3.3 SPARK PLUG MAINTENANCE

RECOMMENDED SPARK PLUG:

Mod. 1000      BMR-4A (980073-54744)      NGK  
                   BPMR4A-10 (98073-54941)      NGK

Mod. 2500/3000/4000/5500

                  BP6ES, BPR6ES      NGK  
                   W20EP-U, W20EPR-U      ND

Never use a spark plug with a different thermal degree.

1. Remove the spark plug nipple (pos. 1 fig. 8) and use a suitable wrench to remove the spark plug.
2. Visually check the spark plug. If it is worn or if the insulator is broken or chipped, replace it. Clean the spark plug with an iron brush if it is to be used again.
3. Measure the electrode distance by means of a thickness gauge.  
 The distance should be 0.7-0.8 mm.  
 Adjust, if necessary, by bending the side electrode.
4. Check that the spark plug washer is in good condition and screw it manually to prevent it being set at an angle.
5. Once mounted, tighten the spark plug using a wrench with the right driving torque.

**IMPORTANT**

---

*When mounting a new spark plug, tighten it a half-turn after it has compressed the washer. When re-using the same spark plug, tighten it 1/8-1/4 turn after the washer compression.*

---

**CAUTION**

---

*The spark plug should be tightened carefully. A loose spark plug can get very hot and damage the engine.*

---

**5.3.4 REGULATING THE VOLTAGE**

This regulation should be carried out with the engine warm and the generator running without a load.

Check the generator voltage using a tester or voltmeter connected to the vehicle's 230V socket or to the terminals (pos. 17-18 fig. 6 and 14) of the generator terminal board. The voltage should be between 230 and 240 Volts.

If these values are not obtained, adjust the current regulation screw (pos. 32 fig. 10 and 15) until they are.

Rotate clockwise to increase the voltage.

Rotate anticlockwise to decrease both r.p.m. and voltage.

**6.00 INACTIVITY AND DISMANTLING****6.01 DISMANTLING**

If the unit must be dismantled, get the work done by authorised workshops.

**7.0 DEALING WITH FIRE HAZARDS**

In case of fire, do not open the generator casing and use type-approved fire-extinguishers.

## 8.0 TECHNICAL DATA

### 8.1 TECHNICAL SPECIFICATIONS

ENGINE		1000H	2500H	3000H	4000H	5500H
Type		Single-cylinder four-stroke side valves	Single-cylinder, four-stroke, overhead valves			
Honda model		G100K2	GX 160	GX 200	GX 270	GX 390
Displacement	cm <sup>3</sup>	97	163	196	270	389
Stroke x bore	mm	52x46	68x45	68x54	77x58	88x64
Consumption	gkW/h	300	230	230	230	235
Fuel		Lead-free petrol				
Starter system		Electronic				
Spark plug		NGK / ND	NGK	NGK	NGK	NGK
Engine-oil sump capacity	litres	0,45	0,6	0,6	1,1	1,1
Frequency regulator		Automatic with centrifugal masses				
ALTERNATOR		1000H	2500H	3000H	4000H	5500H
Type		Synchronous, single-phase, self-regulated, self-energized, two-pole, brushless				
Peak max. power	W	900	2200	2700	3800	5300
For continuous utilization	W	800	2000	2400	3500	4500
Voltage/frequence		230V 50Hz				
D.C. power		12V 25A	12V 10A	12V 10A	12V 10A	12V 10A
Rotor insulation class	H	H	H	H	H	H
Stator insulation class	F	F	F	F	F	F
Cooling		Centrifugal fan				
GENERATOR		1000H	2500H	3000H	4000H	5500H
Total weight	Kg	39	50	59	102	132
Overall dimensions (LxWxH)	mm	470x320x315	530x385x290	570x385x290	660x475x355	700x520x510
Ignition		Electric/man.				
Fuel pump		Vacuum				
Remote control		Separate control board with: push-button starter push-button choke stop switch low fuel LED running LED low oil LED (automatic stop) hour meter				

## INDICE GENERALE

GB	.....	Pag.	1÷9
I	.....	Pag.	10÷18
D	.....	Pag.	19÷27
NL	.....	Pag.	28÷36
F	.....	Pag.	37÷45
SP	.....	Pag.	46÷54

## INDICE

Descrizione	Pagina
1.0 Identificazione .....	11
1.1 Costruttore .....	11
1.2 Definizioni .....	11
1.3 Trasporto - Movimentazione	
Immagazzinamento .....	11
1.3.1 Condizioni di immagazzinamento .....	11
1.3.2 Peso .....	11
1.3.3 Dimensioni d'ingombro .....	11
1.3.4 Movimentazione .....	11
<b>2.0 Installazione</b> .....	11
2.1 Personale autorizzato .....	11
2.2 Istruzioni per il fissaggio del generatore .....	12
2.3 Istruzioni per il collegamento elettrico .....	12
2.3.1 Collegamento elettrico del carica batterie .....	12
2.3.2 Collegamento batteria .....	12
2.3.3 Collegamento cruscotto comando a distanza ..	12
2.4 Istruzioni per l'installazione serbatoio	
carburante .....	13
<b>3.0 Indicazioni e funzionamento</b> .....	13
3.1 Descrizione del generatore e funzionamento ....	13
3.2 Sicurezza delle macchine .....	13
3.3 Indicazione sul rumore .....	13
<b>4.0 Uso del generatore</b> .....	14
4.1 Avviamento del generatore .....	14
4.2 Arresto del generatore .....	14
4.3 Informazione sui pericoli ineliminabili .....	14
4.4 Informazione sugli usi non consentiti .....	14
4.5 Consigli utili .....	14
4.6 Indicazioni per l'individuazione dei guasti .....	14
<b>5.0 Indicazioni per la manutenzione</b> .....	15
5.1 Natura e frequenza delle verifiche .....	15
5.2 Interventi manutentivi che non richiedono	
personale qualificato .....	15
5.3 Interventi manutentivi che richiedono	
personale qualificato .....	16
5.3.1 Sostituzione olio .....	16
5.3.2 Manutenzione filtro aria .....	16
5.3.3 Manutenzione candela .....	16
5.3.4 Regolazione della tensione .....	17
<b>6.0 Indicazioni per la messa fuori servizio</b> ....	17
6.1 Smantellamento .....	17
<b>7.0 Mezzi antincendio da utilizzare</b> .....	17
<b>8.0 Dati tecnici</b> .....	18
8.1 Caratteristiche tecniche .....	18
8.2 Schemi elettrici .....	55÷71

© WTA srl -1998

Tutti i diritti riservati

Stampato in Italia

Realizzazione: VEGA - Forlì

Nessuna parte di questo manuale può essere riprodotta, copiata o divulgata con qualsiasi mezzo senza l'autorizzazione scritta della WTA srl. Le figure, le descrizioni, i riferimenti ed i dati tecnici contenuti nel presente manuale sono indicativi e non impegnativi.

La WTA srl si riserva il diritto di apportare in qualsiasi momento e senza preavviso tutte le modifiche che riterrà opportuno, nella costante ricerca di migliorare la qualità e la sicurezza, senza impegnarsi ad aggiornare di volta in volta questo manuale.

## 1.0 IDENTIFICAZIONE

La targhetta di identificazione della macchina **CE** è fissata all'esterno della cassa in lamiera (vedi fig. 1).

### 1.1 COSTRUTTORE

WTA srl  
Via Virgilio, 3  
47100 FORLI' - ITALY  
P. IVA 00718330400

### 1.2 DEFINIZIONI

In questo libretto sono utilizzati tre "simboli grafici di sicurezza", che hanno lo scopo di evidenziare altrettanti livelli di pericolo o importanti informazioni:



#### PERICOLO

*Richiamo che indica una situazione potenzialmente pericolosa che, potrebbe provocare infortuni gravi.*



#### ATTENZIONE

*Richiamo che indica una situazione potenzialmente pericolosa che potrebbe provocare infortuni o danni a cose.*



#### IMPORTANTE

*Richiamo che indica una situazione potenzialmente pericolosa che potrebbe provocare mal funzionamenti o danni alla macchina.*

## 1.3 TRASPORTO - MOVIMENTAZIONE - IMMAGAZZINAMENTO

### 1.3.1 CONDIZIONI DI IMMAGAZZINAMENTO

Il generatore viene protetto contro gli urti da un opportuno imballaggio di cartone, polistirolo e base di appoggio in legno.

Il generatore deve essere immagazzinato in posizione normale in ambiente coperto, asciutto e ventilato.

### 1.3.2 PESO

Peso lordo completo di imballaggio:

Mod. 1000 .....	Kg	50
Mod. 2500 .....	Kg	62
Mod. 3000 .....	Kg	71
Mod. 4000 .....	Kg	114
Mod. 5500 .....	Kg	140

### 1.3.3 DIMENSIONI D'INGOMBRO

Vedere figg. 2, 3, 4 :

		Modello				
		1000	2500	3000	4000	5500
INSTALLAZIONE TIPO A	A mm	470	530	570	660	700
	B mm	535	605	650	740	--
	C mm	565	640	680	770	770
	D mm	320	385	385	475	520
	E mm	315	290	290	355	510
	F mm	260	295	295	310	--
	G mm	27	30	30	62	--
	H mm	--	360	360	--	--
INSTALLAZIONE TIPO B	I mm	65	87	113	78	--
	L mm	65	96	97	265	--
	M mm	225	222	230	130	--
	N mm	36	28	25	17	--
	O mm	535	605	650	740	735
	P mm	27	30	30	62	55
	Q mm	260	295	295	310	370
	DIM. VANO	X mm	590	650	690	780
Y mm		385	430	435	540	530
Z mm		335	305	305	380	530
Area feritoie sportello						
cm <sup>2</sup>		220	220	220	260	--

### 1.3.4 MOVIMENTAZIONE

Il generatore completo di imballo è movimentabile con i comuni mezzi di sollevamento e trasporto.

Le casse sono dotate di distanziali per l'utilizzo di transpallet.



#### PERICOLO

*Durante le fasi di sollevamento e trasporto rispettare le norme antinfortunistiche e di sicurezza ed utilizzare macchine con portata massima superiore al carico da sollevare.*

## 2.0 INSTALLAZIONE

### 2.1 PERSONALE AUTORIZZATO

Il generatore deve essere installato sul mezzo (camper, motor home o veicoli speciali) solo ed esclusivamente da ditte o personale qualificato ed autorizzato dalla W.T.A. Qualora l'installazione sia effettuata da personale o da ditte

non autorizzate, la W.T.A. declina ogni responsabilità sul buon funzionamento e sulla sicurezza in base alla D.M. 89/392/CEE.



## PERICOLO

Le indicazioni riportate ai punti 2.2 - 2.3 - 2.4 sono ad uso esclusivo degli installatori specializzati.

## 2.2 ISTRUZIONI PER IL FISSAGGIO DEL GENERATORE

I generatori mod. 1000 - 2500 - 3000 - 4000 sono forniti con la dotazione di staffe per l'ancoraggio del gruppo con antivibranti supplementari e filtro benzina da interporre lungo il tubo di aduzione carburante al generatore. Le staffe permettono il montaggio sia in sospensione: montaggio di "TIPO A" (vedi fig. 3), sia in modo tradizionale: montaggio di "TIPO B" (vedi fig. 4).

Ciò è possibile grazie alla struttura portante dell'involucro esterno.

Il generatore mod. 5500 è fornito di serie con la dotazione di staffe per il fissaggio della guarnizione di finitura, staffe per l'ancoraggio del gruppo con antivibranti supplementari, silenziatore (pos. 29 fig. 16) da montare in linea al tubo di scarico fornito come accessorio AG 125 (pos. 34 fig. 16) e filtro benzina montato di serie all'interno della cassa (pos. 33 fig. 15). Le staffe (pos. 31 fig. 16) per il fissaggio della guarnizione (pos. 35 fig. 16) permettono di montare il generatore completo di guarnizione nel vano predisposto, sigillando perfettamente sul fianco del mezzo. Il tubo di scarico può essere indirizzato a scelta come indicato in fig. 16, ruotando la curva all'interno della macchina in posizione superiore, inferiore oppure, togliendola, è possibile entrare direttamente con il tubo di scarico attraversando la cassa sul fianco sinistro. Il piano d'appoggio predisposto dovrà sopportare, oltre al peso del generatore, anche le sollecitazioni del mezzo in movimento (montaggio di "TIPO B").

Il montaggio di "TIPO A" (installazione esterna) offre i seguenti vantaggi: minor spazio di ingombro, rapida installazione, facile accesso per le operazioni di normale e straordinaria manutenzione.

Occorre assicurarsi che attorno al cofano del generatore vi sia spazio sufficiente per il passaggio d'aria di raffreddamento; inoltre lasciare almeno 20 mm di spazio libero fra il cofano e le parti circostanti.

Nel caso in cui la presa d'aria di aspirazione del generatore resti dietro a una ruota del mezzo, occorre impedire che, in caso di pioggia, la ruota del mezzo butti acqua dentro al generatore.

Per il montaggio di "TIPO A" è necessario usufruire dei due supporti di lamiera in dotazione per garantire un solido fissaggio del gruppo.

Se si decide di adottare il montaggio di "TIPO B" (installazione interna), occorre predisporre un vano a tenuta stagna (fig. 2) verso l'interno del mezzo con dimensioni minime indicate al punto 1.3.3, con i fori di scarico e prese d'aria praticate sul pianale e sullo sportello. Occorre inoltre utilizzare il raccordo di scarico (fig. 4), fornito come accessorio, che sarà fissato, tramite viti o rivetti, direttamente sul cofano

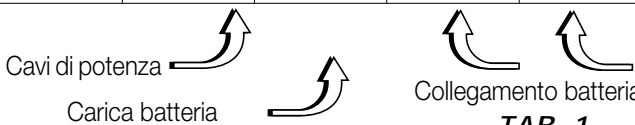
del generatore. Per evitare il riciclo dei gas di scarico dentro il vano è necessario inserire una guarnizione di tenuta ignifuga, attorno al raccordo di scarico.

## 2.3 ISTRUZIONI PER IL COLLEGAMENTO ELETTRICO

Usare per la 230V un cavo a norme la cui sezione è da rilevare in tab. 1; inserirlo nella cassa tramite il passacavo (pos. 30 fig.7 e 9) e collegarlo ai morsetti (pos.17/18 fig.6 e 14). In pos.15 fissare il cavo di terra.

Occorre installare sull'impianto elettrico del mezzo un relè o commutatore (es. l'accessorio AG102/AG113) per non danneggiare il generatore quando è allacciato alla rete d'alimentazione esterna: bisogna dare la precedenza alla rete esterna.

Mod.	Sez. mm <sup>2</sup> 230 V	Sez. mm <sup>2</sup> 12 V	6 m	> 6 m
1000	1,5	6	10	16
2500	2,5	2,5	10	16
3000	2,5	2,5	10	16
4000	4	2,5	10	16
5500	4	2,5	16	25



**TAB. 1**

### 2.3.1 COLLEGAMENTO ELETTRICO DEL CARICA BATTERIE

Usare un cavo la cui sezione è da rilevare in tab. 1, collegandolo al morsetto (pos.16 fig.6 e 14) e al polo positivo della batteria che si vuole caricare.

E' consigliabile inserire il regolatore di tensione AG 111 o un interruttore per interrompere la carica sulla batteria. (Vedere schemi elettrici a pag. 55 ÷ 71)

### 2.3.2 COLLEGAMENTO BATTERIA

Per l'avviamento del generatore collegarsi al polo positivo della batteria di avviamento del mezzo con un cavo a norme inguainato la cui sezione è da rilevare in tab. 1 e collegarlo in pos.12 fig.6 e 14.

Il cavo di massa deve avere la stessa sezione e va collegato in pos.13 e al telaio del mezzo. Occorre assicurarsi che il contatto sia buono, asportando se necessario la vernice o la ruggine dalla superficie, proteggendo il collegamento con grasso.

### 2.3.3 COLLEGAMENTO CRUSCOTTO COMANDO A DISTANZA

Scegliere la posizione desiderata all'interno del mezzo e usufruire della prolunga AG 103 per il collegamento del cruscotto al generatore tramite il connettore pos. 14 fig. 6 e 14.

## 2.4 ISTRUZIONI PER L'INSTALLAZIONE DEL SERBATOIO

L'ubicazione del serbatoio deve essere scelta in modo da ridurre al minimo la lunghezza del tubo carburante. Evitare inoltre che la sezione del tubo possa essere ridotta per strozzature, curvature o schiacciamenti. Si consiglia inoltre di installare il serbatoio allo stesso livello del generatore o al massimo 30 cm sotto. Non posizionare il serbatoio nelle vicinanze di fonti di calore e al riparo da infiltrazioni esterne di acqua.

Montare i raccordi con LOCTITE 577 per evitare il pericolo di perdite di carburante.

Usare per il collegamento serbatoio-generatore un tubo di gomma rivestito adatto a benzina verde delle dimensioni 6 x13 dello stesso tipo usato nel gruppo. Per la prolunga è indispensabile usufruire delle fascette e del filtro in dotazione. Si consiglia di usare il tubo AG 118 (accessorio) per il collegamento dal serbatoio al bocchettone.



### IMPORTANTE

*Il modello 5500 non necessita di serbatoio poichè è installato di serie all'interno della cassa.*

## COLLEGAMENTO DELLA BOMBOLA GAS GPL



### ATTENZIONE

*Il gruppo ad alimentazione GPL deve prelevare il gas della bombola in posizione verticale e dalla parte superiore, dopo il rubinetto e prima del regolatore della bombola, perchè l'alimentazione avvenga allo stato gassoso e in alta pressione.*

*(Pressione minima consigliata: 0.7- 0.9 bar)*

## 3.0 INDICAZIONI E FUNZIONAMENTO



### IMPORTANTE

*La ditta non risponde dei danni dovuti al mancato funzionamento del generatore.*

## 3.1 DESCRIZIONE DEL GENERATORE E FUNZIONAMENTO

Il generatore di corrente è costituito da un motore endotermico a benzina collegato ad un alternatore che produce corrente elettrica alternata e continua.

Il gruppo è montato all'interno di un cofano in lamiera d'acciaio stampato isolato ed insonorizzato con speciali materiali fonoassorbenti.

L'alimentazione del carburante al motore endotermico avviene tramite una pompa montata di serie sul generatore.

## 3.2 SICUREZZA DELLE MACCHINE

Il gruppo è alloggiato nel cofano perfettamente chiuso pertanto non esiste il rischio di contatto con parti mobili, con temperature elevate, o con conduttori sottotensione.

Lo sportello è dotato inoltre di apertura con serratura a chiave che non deve essere lasciata alla portata dei bambini o di persone inesperte.



### PERICOLO

- *Il gruppo deve essere utilizzato solo ed esclusivamente a sportello chiuso.*
- *Allontanare le sostanze infiammabili dal generatore quali ad esempio: benzina, vernici, solventi, ecc.*
- *Assicurarsi che le parti calde del gruppo non siano in contatto con materiali facilmente infiammabili.*
- *Non fare il pieno di benzina con il motore in moto se il serbatoio è posto nelle vicinanze del generatore.*
- *Non toccare il generatore o i collegamenti con le mani bagnate.*
- *Non sostituire i fusibili o termici con altri di amperaggio maggiore.*
- *Eventuali controlli di parti elettriche vanno eseguiti a motore spento, e solo da personale autorizzato.*

Il generatore è realizzato secondo le norme di sicurezza indicate nella dichiarazione di conformità.

## 3.3 INDICAZIONE SUL RUMORE

Il generatore è stato sottoposto ad esame di emissione acustica presso il laboratorio qualificato ISTDIL che ha provveduto ad eseguire le prove rilasciando certificato CEE. N° I-225/92 con i seguenti risultati:

Misurazioni DIRETTIVA CEE 84/536

LIVELLO DI POTENZA ACUSTICA:

Mod. 1000 .....	LwA	81
Mod. 2500 .....	LwA	85
Mod. 3000 .....	LwA	85
Mod. 4000 .....	LwA	87
Mod. 5500 .....	LwA	87

## 4.0 USO DEL GENERATORE

### 4.1 AVVIAMENTO DEL GENERATORE

L'avviamento del gruppo avviene normalmente tramite batteria a 12 volt in dotazione al veicolo.

Prima di procedere all'avviamento del motore posizionare l'interruttore rosso (pos. 27 fig. 5) in posizione "I".

Per l'avviamento a motore freddo premere e mantenere premuto il pulsante verde d'avviamento (pos. 25 fig. 5) insieme al pulsante bianco "aria" (pos. 26 fig. 5) per un tempo non superiore ai 5 secondi.

Per l'avviamento del generatore a motore freddo con alimentazione a GPL premere il pulsante verde (pos. 25 fig. 5) ed agire sul pulsante bianco (pos. 26 fig. 5) per circa 1 secondo ad intervalli di 3 secondi; al primo scoppio lasciare entrambi i pulsanti.

Se il motore non parte attendere qualche secondo prima di ripetere l'operazione.



### ATTENZIONE

*Non insistere mai più di 5 tentativi consecutivi vi è il rischio di danneggiare il motorino di avviamento.*

Per l'avviamento a motore caldo o d'estate, quando la temperatura ambiente è molto elevata premere solo il pulsante verde "avviamento" (pos. 25 fig. 5).

In caso di emergenza si può avviare il gruppo manualmente utilizzando l'impugnatura di avviamento (pos. 4 fig. 8 e 15); se il motore è freddo bisogna agire anche sull'asta di comando dell'elettromagnete (pos. 36 fig. 8 e 15) fino a portare la leva dell'aria in posizione chiusa.

Il corretto funzionamento è evidenziato dalla spia verde (pos. 23 fig. 5).

### 4.2 ARRESTO DEL GENERATORE

Premere in posizione "0" l'interruttore rosso "STOP" (pos. 27 fig. 5). In alternativa, solo per i modd. 2500 - 3000 - 4000 - 5500, usare l'interruttore di sicurezza (pos. 7 fig. 6 e 14).

### 4.3 INFORMAZIONE SUI PERICOLI INELIMINABILI



### PERICOLO

*Il generatore è dotato di motore a scoppio, quindi il carburante utilizzato è altamente infiammabile.*

*Sotto al cofano vengono convogliati i gas di scarico che, inevitabilmente, hanno temperature piuttosto elevate anche se miscelati all'aria di raffreddamento.*

*Non toccare le zone del cofano vicine allo scarico e non inserire le mani od oggetti vari nel cofano*

### 4.4 INFORMAZIONE SUGLI USI NON CONSENTITI



### PERICOLO

*Il generatore deve essere installato solo ed esclusivamente da personale qualificato ed autorizzato secondo le indicazioni fornite dal costruttore.*

*Il generatore deve essere impiegato ed utilizzato solo ed esclusivamente per la produzione di corrente elettrica su mezzi mobili dotati di impianto elettrico realizzato secondo le normative ed in base alla potenza erogata dal generatore.*

### 4.5 CONSIGLI UTILI

Per utilizzare al meglio il gruppo elettrogeno è bene tenere presente che anche sovraccarichi di piccola entità, se prolungati, provocano il disarmo dei termici di protezione pos. 10 e 11 di fig. 6 e 14.

Nel periodo di rodaggio è importante non sottoporre il motore nuovo ad un carico superiore al 70% del carico nominale almeno per le prime 50 ore di funzionamento.

### 4.6 INDICAZIONE PER L'INDIVIDUAZIONE DEI GUASTI

Vi elenchiamo gli inconvenienti che possono eventualmente presentarsi; con relativa causa e possibili rimedi.

Per i guasti non previsti rivolgersi ad un centro assistenza autorizzato o specializzato.

#### 1 Premendo il pulsante verde "AVVIAMENTO" (pos. 25 fig. 5) sul cruscotto non si riscontra alcun funzionamento.

Cause e Rimedi:

- 1.1 Verificare che l'interruttore rosso (pos. 27 fig. 5) sia in posizione "I".
- 1.2 Cavi elettrici interrotti.  
(Fare controllare da personale qualificato).
- 1.3 Motorino di avviamento non alimentato.  
(Fare controllare da personale qualificato).
- 1.4 Cavo di massa del generatore interrotto.  
(Fare controllare da personale qualificato).

#### 2 Il motorino di avviamento gira ma il generatore non parte.

Cause e Rimedi:

- 2.1 Mancanza di carburante: controllare.
- 2.2 Mancanza olio nel motore.  
Controllare se durante l'avviamento la spia rossa sul cruscotto (pos. 6 fig. 5) lampeggia.  
Verificare il livello e ripristinarlo (vedi indicazioni per la manutenzione).
- 2.3 Interruttore di sicurezza (pos. 7 fig. 6 e 14) in posizione "0".  
Verificare e portare in posizione "I".
- 2.4 Controllare che il cappuccio della candela motore sia inserito correttamente.
- 2.5 Non arriva corrente alla candela.

- (Fare controllare da personale qualificato).
- 2.6 Non arriva benzina al carburatore.  
(Fare controllare da personale qualificato).

### 3 Il generatore tende a spegnersi.

Cause e Rimedi:

- 3.1 Sta per finire il carburante nel serbatoio: fare rifornimento.
- 3.2 Livello olio insufficiente.  
Controllare e ripristinare il livello.  
(Vedi indicazioni per la manutenzione).
- 3.3 Filtro aria sporco.  
(Fare controllare da personale qualificato).

### 4 Il generatore non eroga tensione.

Cause e Rimedi:

- 4.1 Protezione termica disinserita.  
Reinserirla premendo gli interruttori (pos.10 fig. 6 e 14) per tensione alternata 230 V; (pos.11 fig. 6 e 14) per tensione continua 12 V.
- 4.2 Condensatore (pos. 19 fig. 8) danneggiato.  
(Fare controllare da personale qualificato).
- 4.3 Ponte diodi (pos. 21 fig. 8) danneggiato.  
In questo caso non funziona solo la tensione continua 12 V ed è segnalato dal non funzionamento del LED verde sul cruscotto.  
(Fare controllare da personale qualificato).
- 4.4 Diodi rotore danneggiati.  
(Fare controllare da personale qualificato).
- 4.5 Numero di giri troppo bassi.  
(Fare controllare da personale qualificato).

### 5 La tensione prodotta senza carico inserito oscilla.

Cause e Rimedi:

- 5.1 Troppo olio nel motore: controllare.
- 5.2 Carburazione difettosa.  
Fare pulire il carburatore da personale qualificato.

## 5.0 INDICAZIONI PER LA MANUTENZIONE



### IMPORTANTE

Usare solo ricambi originali. L'uso di parti di ricambio non di equivalente qualità possono danneggiare il generatore. Il controllo periodico e le regolazioni sono essenziali affinché l'alto livello di prestazioni venga mantenuto. La manutenzione regolare assicura inoltre lunga vita al generatore.



### PERICOLO

Prima di eseguire qualsiasi controllo o intervento di manutenzione sul generatore, ruotare l'interruttore di sicurezza (pos. 7 fig. 6 e 14) in posizione "0" al fine di evitare partenze accidentali del gruppo.

Nel mod. 1000, non essendo presente l'interruttore di sicurezza, è necessario scollegare il cappuccio della candela pos. 1 fig. 8.

## 5.1 NATURA E FREQUENZA DELLE VERIFICHE

INTERVALLO DI ASSISTENZA PERIODICA da eseguire agli intervalli o al numero di ore di funzionamento indicate, a seconda di quale caso si verifica prima.		Ogni uso	Primo mese o 20 ore	Ogni 3 mesi o 50 ore	Ogni 6 mesi o 100 ore	Ogni anno o 300 ore
Olio motore	Ispezione	▲				
	Cambio		▲(2)		▲(2)	
Filtro aria	Pulizia			(1)▲(2)		
Candela	Ispezione - Pulizia				▲(2)	
Registrazione valvole	Controllare - regolare					▲(2)
Serbatoio e filtro carburante	Pulizia					▲(2)
Numero di giri o frequenza	Regolare		▲(2)			▲(2)
Punti di sospensione antivibranti	Controllare					▲(2)
Tubazioni carburante	Controllare (e sostituire se necessario)	Ogni due anni (2)				

NOTA (1): Pulire più frequentemente se usato in aree polverose

(2): Questi interventi devono essere eseguiti solo da personale specializzato

## 5.2 INTERVENTI MANUTENTIVI CHE NON RICHIEDONO PERSONALE QUALIFICATO

Per eseguire questi controlli occorre aprire lo sportello del generatore pertanto occorre adottare le seguenti precauzioni:

- 1) Il generatore non deve essere in funzione e tutte le parti devono essere fredde.
- 2) Lasciare raffreddare.
- 3) Girare l'interruttore di sicurezza in posizione "0".

N.B. Ricordarsi di rimetterlo in posizione "I" terminati i controlli.

### CONTROLLO LIVELLO OLIO

- 1) Sfilare il tappo di rifornimento olio (pos. 9 fig. 8) e pulire l'asta.
- 2) Reinsierirla fino in fondo.
- 3) Sfilare l'asta e controllare che il livello dell'olio sia compreso fra le due tacche (min.-max.).  
In caso contrario ripristinare il livello con olio raccomandato.
- 4) Reinsierire il tappo.



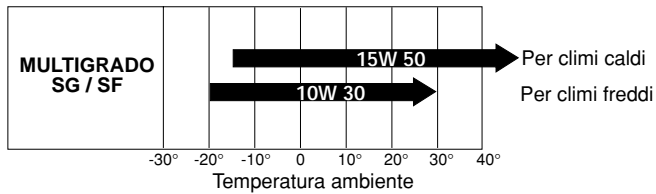
### IMPORTANTE

Eseguire tutte le operazioni di controllo con il generatore in piano.

## 5.3 INTERVENTI MANUTENTIVI CHE RICHIEDONO PERSONALE QUALIFICATO

Per alcune operazioni di manutenzione è prevista la possibilità di sfilare il gruppo, questa operazione è possibile tramite la slitta (pos. 28 fig. 7 e 15) dopo aver allentato le viti di bloccaggio.

### 5.3.1 SOSTITUZIONE OLIO



Usare olio detergente per motori a 4 tempi di categorie API SG o SF (tale indicazione è riportata sul contenitore dell'olio) con viscosità SAE appropriata al clima di esercizio (vedi tabella).

Per rendere più agevole l'operazione di estrazione dell'olio è preferibile far scaldare la macchina per circa 3÷5 minuti, in tal modo l'olio sarà più fluido e lo svuotamento più rapido e completo tramite il tubo di scarico (pos. 2 fig. 8 e 15) dopo aver tolto il tappo di scarico (pos. 8 fig. 8 e 15).

Ripristinare il livello con l'olio del tipo raccomandato tramite il tappo pos.9 fig. 8.

La quantità di olio contenuta nel carter è indicata in tab. 2.

Mod.	Quantità litri
1000	0,45
2500	0,6
3000	0,6
4000	1,1
5500	1,1

**TAB. 2**



### PERICOLO

- L'olio caldo può provocare ustioni.
- Facendo girare il motore con livello di olio insufficiente lo si può danneggiare gravemente.
- Controllare il livello dell'olio a motore spento.



### IMPORTANTE

Gli oli esausti non devono essere dispersi nell'ambiente, ma affidati a Ditte specializzate allo smaltimento e/o riciclaggio attenendosi alle leggi vigenti nel paese dove si compiono tali operazioni.

## 5.3.2 MANUTENZIONE FILTRO ARIA



### IMPORTANTE

Il filtro aria sporco (pos. 3 fig. 8, 11 e 15) riduce il flusso di aria al carburatore. Per prevenire mal funzionamenti al carburatore, controllare regolarmente. Controllare più frequentemente se il motore viene usato in zone polverose.



### PERICOLO

Non usare gasolio o solventi a basso punto di evaporazione per la pulizia dell'elemento del filtro aria. Potrebbero svilupparsi fiamme o esplosioni.

Non fare mai funzionare il motore senza il filtro dell'aria. Il motore si usurerebbe in breve tempo.

- 1 Controllare attentamente entrambi gli elementi da eventuali fori o strappi e sostituirli se danneggiati (1000 H/HG solo 1 elemento).
- 2 Elemento in spugna: lavare l'elemento in una soluzione contenente detergente neutro, risciacquare accuratamente. Lasciare asciugare completamente l'elemento ed immergerlo in olio motore pulito quindi strizzare l'eccesso di olio.
- 3 Elemento in carta: battere dolcemente alcune volte l'elemento su una superficie dura per rimuovere l'eccesso di sporcizia, o soffiare con aria compressa il filtro dall'interno verso l'esterno. Non spazzolare mai la sporcizia; la spazzolatura spingerebbe la sporcizia ad entrare nelle fibre. Sostituire l'elemento in carta se eccessivamente sporco.

## 5.3.3 MANUTENZIONE CANDELA

CANDELA RACCOMANDATA:

Mod. 1000 BMR-4A (980073-54744) NGK  
BPMR4A-10 (98073-54941) NGK

Mod. 2500/3000/4000/5500  
BP6ES, BPR6ES NGK  
W20EP-U, W20EPR-U ND

Non usare mai una candela con grado termico diverso.

- 1 Rimuovere il cappuccio della candela (pos. 1 fig. 8) e usare la chiave per rimuovere la candela.
- 2 Controllare visivamente la candela. Sostituire se vi è una apparente usura o se l'isolatore è rotto o scheggiato. Pulire la candela con una spazzola in setole d'acciaio se può essere riutilizzata.
- 3 Misurare la distanza degli elettrodi con uno spessore. La distanza deve essere di 0,7-0,8 mm. Correggere se necessario piegando l'elettrodo laterale.
- 4 Controllare che la rondella della candela sia in buone condizioni ed avvitare manualmente per evitare di inserirla storta.
- 5 Dopo che la candela è montata, serrare con la chiave alla giusta coppia.



## IMPORTANTE

Quando si monta una candela nuova, serrare di 1/2 giro dopo che la candela ha compresso la rondella. Se si sta riutilizzando una candela, serrarla di 1/8 - 1/4 di giro dopo che la stessa ha compresso la rondella.



## ATTENZIONE

La candela deve essere accuratamente serrata. Una candela non serrata può diventare molto calda e causare danni al motore.

### 5.3.4 REGOLAZIONE DELLA TENSIONE

La regolazione deve essere eseguita a motore caldo senza nessun carico inserito e col generatore in funzione.

Controllare la tensione del generatore con un "tester" o un voltmetro tramite una presa a 230 V di servizio del mezzo o ai terminali della morsettiera sul generatore (pos. 17- 18 fig. 6 e 14).

La tensione deve essere compresa fra i 230 e i 240 Volt senza nessuna utenza inserita.

Se non si riscontrano tali valori occorre ripristinarli agendo sulla vite di regolazione dell'acceleratore (pos. 32 fig. 10 e 15).

Girando la vite in senso orario si aumentano i giri e quindi la tensione.

Girando la vite in senso antiorario per diminuire giri e tensione.

## 6.00 INDICAZIONI PER LA MESSA FUORI SERVIZIO E LO SMANTELLAMENTO

### 6.01 SMANTELLAMENTO

Nel caso in cui si debba procedere allo smantellamento del gruppo, rivolgersi a officine specializzate.

## 7.0 MEZZI ANTINCENDIO DA UTILIZZARE

In caso di incendio non aprire assolutamente il cofano del generatore ed usare estintori di tipo omologato.

## 8.0 DATI TECNICI

### 8.1 CARATTERISTICHE TECNICHE

MOTORE		1000H	2500H	3000H	4000H	5500H
Tipo		Monocilindrico 4 tempi valvole laterali	Monocilindrico, 4 tempi, valvole in testa			
Modello Honda		G100K2	GX 160	GX 200	GX 270	GX 390
Cilindrata	cm <sup>3</sup>	97	163	196	270	389
Alesaggio x Corsa	mm	52x46	68x45	68x54	77x58	88x64
Consumo	gkW/h	300	230	230	230	235
Alimentazione		Benzina verde				
Sistema di accensione		Elettronica				
Candela		NGK / ND	NGK	NGK	NGK	NGK
Capacità coppa olio motore	litri	0,45	0,6	0,6	1,1	1,1
Regolatore di giri		Automatico a masse centrifughe				
ALTERNATORE		1000H	2500H	3000H	4000H	5500H
Tipo		Sincrono monofase, autoregolato, autoeccitato, due poli senza spazzole				
Potenza max istantanea	W	900	2200	2700	3800	5300
Per uso continuo	W	800	2000	2400	3500	4500
Tensione/frequenza		230V 50Hz				
Potenza corrente continua		12V 25A	12V 10A	12V 10A	12V 10A	12V 10A
Classe isolamento rotore	H	H	H	H	H	H
Classe isolamento statore	F	F	F	F	F	F
Raffreddamento		Ventola centrifuga				
GENERATORE		1000H	2500H	3000H	4000H	5500H
Peso complessivo	Kg	39	50	59	102	132
Dimensioni di ingombro (Lungh.xLargh.xAlt.)	mm	470x320x315	530x385x290	570x385x290	660x475x355	700x520x510
Avviamento		Elettrico/manuale				
Pompa alimentazione		A depressione				
Comando a distanza		Cruscotto separato composto da: pulsante avviamento pulsante starter interruttore stop spia mancanza carburante spia funzionamento spia arresto per mancanza olio contaore				

## ALLGEMEINES INHALTSVERZEICHNIS

GB	Seiten	1÷9
I	Seiten	10÷18
<b>D</b>	Seiten	19÷27
NL	Seiten	28÷36
F	Seiten	37÷45
SP	Seiten	46÷54

## INHALTSVERZEICHNIS

Beschreibung	Seite
<b>1.0 Identifikation</b> .....	20
1.1 Hersteller .....	20
1.2 Erläuterungen .....	20
1.3 Transport-Bewegung-Lagerung .....	20
1.3.1 Lagerbedingungen .....	20
1.3.2 Gewicht .....	20
1.3.3 Abmessungen .....	20
1.3.4 Bewegung .....	20
<b>2.0 Installation</b> .....	20
2.1 Geschultes Fachpersonal .....	20
2.2 Montage des Generators .....	21
2.3 Elektranschluß .....	21
2.3.1 Anschluß des Batterieladers .....	21
2.3.2 Anschluß der Starterbatterie .....	21
2.3.3 Anschluß des Bedienpaneels .....	21
2.4 Installation des Benzintanks .....	21
<b>3.0 Funktionshinweise</b> .....	22
3.1 Beschreibung des Generators und Funktionsweise .....	22
3.2 Sicherheitshinweise .....	22
3.3 Lärmentwicklung .....	22
<b>4.0 Gebrauch des Generators</b> .....	23
4.1 Starten des Generators .....	23
4.2 Stoppen des Generators .....	23
4.3 Hinweise über unvermeidliche Gefahren ..	23
4.4 Hinweise über unsachgemäßen Gebrauch	23
4.5 Nützliche Hinweise .....	23
4.6 Hinweise für die Fehlersuche .....	23
<b>5.0 Wartung</b> .....	24
5.1 Kontrollarten und zeitliche Abstände .....	24
5.2 Wartungsarbeiten ohne Fachpersonal .....	24
5.3 Wartungsarbeiten durch Fachpersonal .....	24
5.3.1 Ölwechsel .....	25
5.3.2 Luftfilterreinigung .....	25
5.3.3 Zündkerzenwartung .....	25
5.3.4 Spannungsregulierung .....	26
<b>6.0 Stilllegung und Abrüstung</b> .....	26
6.1 Abrüstung .....	26
<b>7.0 Mittel zur Feuerbekämpfung</b> .....	26
<b>8.0 Technische Einzelheiten</b> .....	27
8.1 Technische Daten .....	27
8.2 Elektropläne .....	55÷71

© WTA srl -1998

Alle Rechte vorbehalten

Gedruckt in Italien

Realisierung: VEGA - Forli

Kein Teil dieses Handbuchs darf ohne schriftliche Genehmigung der Fa. **WTA srl** reproduziert, kopiert oder auf sonstige Weise verbreitet werden.

Die Abbildungen, Beschreibungen, Hinweise und technischen Daten in dem vorliegenden Handbuch sind unverbindlich und ohne Gewähr.

Die Fa. **WTA srl** behält sich das Recht vor, jederzeit und ohne vorherige Ankündigung alle Änderungen vorzunehmen, die sie im Interesse der Verbesserung des Produkts und seiner Sicherheit für angebracht hält, ohne sich zur jedesmaligen Anpassung dieses Handbuchs zu verpflichten.

## 1.0 IDENTIFIKATION

Das CE-Typenschild der Maschine ist auf dem Gehäuse angebracht (siehe Abb. 1).

### 1.1 HERSTELLER

WTA srl  
Via Virgilio, 3  
47100 FORLI' - ITALY  
P. IVA 00718330400

### 1.2 ERLÄUTERUNGEN

In diesem Handbuch treten drei Arten von "grafischen Sicherheitskennzeichen" zur Hervorhebung der jeweiligen Gefahrenmomente oder Informationsarten auf:



#### GEFAHR

Die Aufmerksamkeit wird auf potentiell gefährliche Situationen gelenkt, die die Sicherheit der Personen bedrohen und zu Verletzungen führen können.



#### ACHTUNG

Die Aufmerksamkeit wird auf potentiell gefährliche Situationen gelenkt, die die Sicherheit der Personen bedrohen und zu leichten Verletzungen oder Schäden an der Maschine führen können.



#### VERMERK

Die Aufmerksamkeit wird auf potentiell gefährliche Situationen gelenkt, die die Leistungsfähigkeit und Betriebssicherheit des Geräts beeinflussen können.

## 1.3 TRANSPORT - BEWEGUNG - LAGERUNG

### 1.3.1 LAGERBEDINGUNGEN

Der Generator wird mit Karton, Polystyrol und Holzboden stoßfest verpackt.

Der Generator muß in waagerechter Stellung an einem geschützten, trockenen und gelüfteten Ort gelagert werden.

### 1.3.2 GEWICHT

Bruttogewicht mit Verpackung:

Mod. 1000 .....	Kg	50
Mod. 2500 .....	Kg	62
Mod. 3000 .....	Kg	71
Mod. 4000 .....	Kg	114
Mod. 5500 .....	Kg	140

## 1.3.3 ABMESSUNGEN

Siehe Abb. 2, 3, 4 :

		Modell				
		1000	2500	3000	4000	5500
INSTALLATION TYP A	A mm	470	530	570	660	700
	B mm	535	605	650	740	--
	C mm	565	640	680	770	770
	D mm	320	385	385	475	520
	E mm	315	290	290	355	510
	F mm	260	295	295	310	--
	G mm	27	30	30	62	--
	H mm	--	360	360	--	--
INSTALLATION TYP B	I mm	65	87	113	78	--
	L mm	65	96	97	265	--
	M mm	225	222	230	130	--
	N mm	36	28	25	17	--
	O mm	535	605	650	740	735
	P mm	27	30	30	62	55
	Q mm	260	295	295	310	370
	RAUMGRÖSSE	X mm	590	650	690	780
Y mm		385	430	435	540	530
Z mm		335	305	305	380	530
Luftschlitze Außenklappe						
	cm <sup>2</sup>	220	220	220	260	--

### 1.3.4 BEWEGUNG

Der verpackte Generator kann mit den handelsüblichen Hebe- und Beförderungsmitteln bewegt werden. Die Kisten verfügen über Distanzstücke zum Einsatz eines manuellen Gabelstaplers.



#### GEFAHR

Während der Hebe- und Transportgänge sind die Sicherheitsvorschriften zur Unfallverhütung zu berücksichtigen und die Tragfähigkeit der Maschinen muß über der zu hebenden Last liegen.

## 2.0 INSTALLATION

### 2.1 GESCHULTES FACHPERSONAL

Der Generator darf auf Caravans, Wohnmobile oder Spezialfahrzeuge nur von Fachpersonal mit der Genehmigung der Firma W.T.A. installiert werden. Bei einer nicht fachgerechten Montage, Installation und Anschluß kann es zu Fehlfunktionen und zu Gefährdungen

an Mensch und/oder Material kommen, für die der Hersteller keine Haftung im Sinne der Maschinenrichtlinie 89/392/EG übernimmt.



## GEFAHR

Die Installationsanweisungen der Abschnitte 2.2 - 2.3 - 2.04 sind ausschließlich für autorisiertes Fachpersonal bestimmt.

## 2.2 MONTAGE DES GENERATORS

Die Modelle 1000, 2500, 3000 und 4000 besitzen Befestigungsschienen für das Aggregat mit zusätzlichen Schwingungsdämpfern und einen Benzinfilter, der auf die Kraftstoffleitung zu montieren ist. Mit den Befestigungsschienen kann der Generator sowohl hängend (Montage "TYP A", siehe Abb. 3) als auch auf herkömmliche Weise (Montage "TYP B", siehe Abb. 4) montiert werden. Dies ist möglich dank der Tragfähigkeit der Außenkonstruktion.

Das Modell 5500 besitzt serienmäßig Halterungen für die Gummidichtung, Befestigungsschienen für das Aggregat mit zusätzlichen Schwingungsdämpfern, einen Auspufftopf, der auf das als Zubehör AG 125 (Nr. 34 Abb. 16) gelieferte Auspuffrohr zu montieren ist, und einen serienmäßig im Inneren des Gehäuses montierten Benzinfilter (Nr. 33 Abb. 15). Die Halterungen (Nr. 31 Abb. 16) für die Dichtung (Nr. 35 Abb. 16) ermöglichen die Montage des Generators mitsamt der Dichtung in dem vorgesehenen Raum, so daß der Generator fest mit der Seite des Fahrzeugs verbunden ist. Das Auspuffrohr kann wahlweise so ausgerichtet werden, wie in Abb. 16 gezeigt, indem der Krümmer im Inneren des Geräts in die obere oder untere Position gedreht wird, oder man kann nach Abnahme des Krümmers das Auspuffrohr direkt durch die linke Seite des Gehäuses einsetzen. Die vorgesehene Auflagefläche muß nicht nur das Gewicht des Generators, sondern auch die Belastungen durch das sich bewegende Fahrzeug aushalten (Montage "TYP B").

Die Montage vom "TYP A" (Außeninstallation) bietet folgende Vorteile: geringer Platzbedarf, schnelle Installation, leichter Zugang für planmäßige und außerplanmäßige Wartung. Es muß sichergestellt werden, daß um das Generatorgehäuse genügend Platz für die Luftzufuhr zur Kühlung des Generators vorhanden ist; außerdem müssen mindestens 20 mm freier Platz zwischen dem Gehäuse und den umstehenden Teilen verbleiben.

Wenn das Gehäuse hinter einem Fahrzeugrad montiert wird, muß verhindert werden, daß bei Regen Wasser vom Reifen in den Generator spritzt.

Bei der Montage vom "TYP A" müssen die beiden mitgelieferten Metallstützen benutzt werden, um einen festen Halt des Aggregats zu gewährleisten.

Wenn man sich für die Montage vom "TYP B" (Inneninstallation) entscheidet, muß ein gegen das Fahrzeuginnere wasserdichter Stauraum (Abb. 2) mit den unter Punkt 1.3.3 angegebenen Mindestabmessungen vorgesehen werden, mit den Öffnungen für Auspuff und Luftzufuhr auf dem Fahrzeugboden oder der Bordwand. Außerdem muß der als Zubehör gelieferte Auspuffanschluß (Abb. 4) benutzt werden, der mit Schrauben oder Nieten

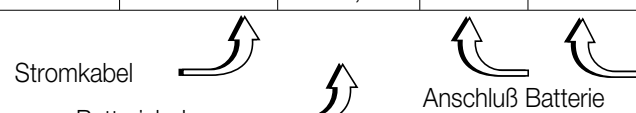
direkt auf dem Generatorgehäuse zu befestigen ist. Um einen Rückfluß der Abgase in den Stauraum zu verhindern, muß der Auspuffanschluß hitzebeständig abgedichtet werden.

## 2.3 ELEKTRANSCHLUß

Für die 230 V ist ein Standardkabel zu benutzen, dessen Querschnitt aus Tab. 1 zu entnehmen ist; es wird durch die Kabeldurchführung (Nr. 30 Abb. 7 und 9) in das Gehäuse eingeführt und an die Klemmen (Nr. 17/18 Abb. 6 und 14) angeschlossen. Den Schutzleiter an Klemme Nr. 15 befestigen.

In die Elektroanlage des Fahrzeugs muß ein Relais oder ein Handumschalter (z. B. Zubehörteil AG102/AG113) installiert werden, um den Generator nicht zu beschädigen, wenn er an das Stromnetz angeschlossen wird. Das externe Stromnetz muß Vorrang haben.

Mod.	Querschnitt mm <sup>2</sup> 230 V	Querschnitt mm <sup>2</sup> 12 V	6 m	> 6 m
1000	1,5	6	10	16
2500	2,5	2,5	10	16
3000	2,5	2,5	10	16
4000	4	2,5	10	16
5500	4	2,5	16	25



**TAB. 1**

### 2.3.1 ANSCHLUß DES BATTERIELADERS

Es ist ein Kabel zu benutzen, dessen Querschnitt aus Tab. 1 zu entnehmen ist. Das Kabel wird an die Klemme (Nr. 16 Abb. 6 und 14) und an den Pluspol der zu ladenden Batterie angeschlossen.

Es empfiehlt sich, den Laderegler AG 111 oder einen Schalter zum Unterbrechen des Ladevorgangs einzubauen. (Siehe Elektropläne auf S. 55 - 71)

### 2.3.2 ANSCHLUß DER STARTERBATTERIE

Zum Starten des Generators verbinden Sie ein ummanteltes Standardkabel, dessen Querschnitt aus Tab. 1 zu entnehmen ist, mit dem Pluspol der Starterbatterie des Fahrzeugs und mit der Klemme (Nr. 12 Abb. 6 und 14).

Das Massekabel, das denselben Querschnitt haben muß, wird an die Klemme Nr. 13 und an das Chassis des Fahrzeugs angeschlossen.

### 2.3.3 ANSCHLUß DES BEDIENPANEELS

Wählen Sie die Einbauposition im Inneren des Fahrzeugs und benutzen Sie das Verlängerungskabel AG103 zum Anschluß des Bedienpaneels an den Generator über den Konnektor Nr. 14 Abb. 6 und 14.

## 2.4 INSTALLATION DES BENZINTANKS

Der Platz für den Benzintank sollte so gewählt werden, daß die Länge des Benzinschlauchs auf ein Minimum reduziert wird. Außerdem sind Drosselstellen, Biegungen oder

Quetschungen der Benzinleitung zu vermeiden. Es wird außerdem empfohlen, den Tank auf derselben Höhe wie den Generator zu montieren oder höchstens 30 cm darunter. Den Benzintank nicht in der Nähe von Hitzequellen oder von eindringendem Wasser anbringen.

Die Anschlüsse mit LOCTITE 577 montieren, um die Gefahr von Kraftstoffverlusten zu vermeiden.

Für den Anschluß vom Tank zum Generator einen für bleifreies Benzin geeigneten verkleideten Kraftstoffschlauch mit den Abmessungen 6x13 verwenden, vom gleichen Typ, wie er auch im Aggregat verwendet wird. Für die Verlängerung müssen unbedingt die mitgelieferten Schellen und der Filter verwendet werden. Die Verbindung zwischen dem Tank und dem Einfüllstutzen geschieht am besten mit dem Schlauch AG 118 (Zubehör).



## VERMERK

*Das Modell 5500 benötigt keinen Tank, da dieser serienmäßig im Gehäuse installiert ist*

## ANSCHLUß AN DEN GASTANK



## ACHTUNG

*Das Gasversorgungsaggregat muß das Gas aus dem Oberteil der aufrecht stehenden Flasche entnehmen, hinter dem Gasentnahmestutzen und vor dem Druckregler der Flasche, damit die Versorgung in flüssigem Zustand und unter Hochdruck erfolgt.*

*(Empfohlener Mindestdruck: 0,7 - 0,9 bar)*

## 3.0 FUNKTIONSHINWEISE



## VERMERK

*Die Firma haftet nicht für Schäden, die auf schlechtes Funktionieren des Generators zurückzuführen sind.*

## 3.1 BESCHREIBUNG DES GENERATORS UND FUNKTIONSWEISE

Der Stromgenerator besteht aus einem Verbrennungsmotor, der mit einem Stromerzeuger verbunden ist, der Wechsel- und Gleichspannung erzeugt.

Das Aggregat ist von einem isolierten und mit speziellen schallschluckenden Materialien besonders gedämpften Stahlgehäuse umhüllt.

Die Benzinzufuhr zum Verbrennungsmotor erfolgt über eine serienmäßig auf den Generator montierte Pumpe.

## 3.2 SICHERHEITSHINWEISE

Da das Aggregat in dem geschlossenen Gehäuse liegt, besteht keine Gefahr von Kontakten mit beweglichen Teilen, höheren Temperaturen oder Spannungsleitern.

Die Außenklappe ist außerdem verschließbar und der Schlüssel darf nicht in die Reichweite von Kindern oder unbefugten Personen gelangen.



## GEFAHR

- *Das Aggregat darf nur bei geschlossener Außenklappe benutzt werden.*
- *Aus der Nähe des Generators müssen alle leicht brennbaren Materialien wie Benzin, Lacke oder Lösemittel entfernt werden.*
- *Die heißwerdenden Teile dürfen nicht mit leicht brennbaren Materialien in Berührung kommen.*
- *Nie bei laufendem Motor tanken, wenn sich der Tank in der Nähe des Generators befindet.*
- *Den Generator oder die Leitungen nicht mit feuchten Händen berühren.*
- *Niemals stärkere Sicherungen oder Thermoschalter verwenden als die vom Werk vorgegebenen.*
- *Eventuelle Kontrollen von elektrischen Teilen dürfen nur bei ausgeschaltetem Motor und von autorisierten Personen durchgeführt werden.*

Der Generator ist gemäß den in der Garantieerklärung angegebenen Sicherheitsvorschriften gebaut.

## 3.3 LÄRMENTWICKLUNG

Der Generator ist im Untersuchungslabor ISTDIL auf die Lärmentwicklung überprüft worden und das EG-Zertifikat Nr. I-225/92 enthält folgende Ergebnisse:

Messung nach EG-VORSCHRIFT 84/536

LÄRMPEGEL:

Mod. 1000 .....	LwA	81
Mod. 2500 .....	LwA	85
Mod. 3000 .....	LwA	85
Mod. 4000 .....	LwA	87
Mod. 5500 .....	LwA	87

## 4.0 GEBRAUCH DES GENERATORS

### 4.1 STARTEN DES GENERATORS

Der Generator wird normalerweise über eine 12V-Batterie des Fahrzeugs gestartet.

Vor dem Start den roten Schalter (Nr. 27 Abb. 5) auf Position "I" bringen.

Für den Start bei kaltem Motor gleichzeitig den grünen Startknopf (Nr. 25 Abb. 5) und den weißen Kaltstartknopf (Nr. 26 Abb. 5) für maximal 5 Sekunden drücken.

Für den Start des gasbetriebenen Modells bei kaltem Motor den grünen Knopf (Nr. 25 Abb. 5) drücken und gleichzeitig im 3-Sekunden-Takt für jeweils eine Sekunde den weißen Knopf (Nr. 26 Abb. 5) tippen; bei Zündung beide Knöpfe loslassen.

Sollte der Generator nicht anspringen, einige Sekunden warten und den Vorgang wiederholen.



### ACHTUNG

*Den Startvorgang auf keinen Fall mehr als fünfmal versuchen, denn der Anlasser könnte sonst beschädigt werden.*

Beim warmen Motor oder im Sommer, wenn die Außentemperatur höher ist, erfolgt das Starten nur mit dem grünen Knopf (Nr.25 Abb. 5).

Im Notfall kann das Aggregat auch manuell mit Hilfe des Startgriffs (Nr. 4 Abb. 8 und 15) gestartet werden; bei kaltem Motor muß auch die Stellstange des Elektromagneten (Nr. 36 Abb. 8 und 15) betätigt werden, bis der Lufthebel sich schließt. Die grüne Kontrolleuchte (Nr. 23 Abb. 5) zeigt an, daß der Generator ordnungsgemäß läuft.

### 4.2 STOPPEN DES GENERATORS

Den roten STOP-Schalter (Nr.27 Abb. 5) auf die Position "0" drücken. Alternativ können Sie bei den Modellen 2500-3000-4000-5000 auch den Sicherheitsschalter (Nr.7 Abb. 6 und 14) ausschalten.

### 4.3 HINWEISE ÜBER UNVERMEIDLICHE GEFAHREN



### GEFAHR

*Der Generator besitzt einen Verbrennungsmotor, der verwendete Kraftstoff ist daher hochentzündlich.*

*Unter dem Gehäuse sammeln sich Abgase an, die unvermeidlicherweise ziemlich hohe Temperaturen haben, auch wenn sie mit der Kühlungsluft gemischt sind.*

*Die Gehäuseteile in der Nähe des Auspuffrohrs dürfen daher nicht berührt werden, es dürfen keine Gegenstände in das Gehäuse gebracht und es darf nicht hineingegriffen werden.*

## 4.4 HINWEISE ÜBER UNSACHGEMÄßEN GEBRAUCH



### GEFAHR

*Der Generator darf nur von Fachpersonal nach den vom Hersteller angegebenen Vorschriften installiert werden.*

*Der Generator darf nur für die Erzeugung von elektrischem Strom auf Fahrzeugen benutzt werden, die über eine normgerechte Elektroanlage verfügen und die der abgegebenen Leistungsstärke des Generators entspricht.*

### 4.5 NÜTZLICHE HINWEISE

Um das Stromerzeugungsaggregat optimal zu nutzen, sollte man daran denken, daß auch geringe Überlastungen auf Dauer zum Ausschalten der Thermoschalter Nr. 10 und 11 in Abb. 6 und 14 führen.

In der Einlaufzeit ist es wichtig, den neuen Motor wenigstens in den ersten 50 Betriebsstunden nicht über 70% der Nominallast zu beanspruchen.

### 4.6 HINWEISE FÜR DIE FEHLERSUCHE

Nachstehend werden eventuell auftretende Fehler und deren Ursache und Behebung aufgelistet.

Für unvorhersehbare Fehler ist der autorisierte Kundendienst zu Rate zu ziehen.

#### 1 Beim Start durch den grünen STARTEN-Knopf (Nr.25 Abb. 5) am Bedienpaneel erfolgt keine Reaktion

Ursache und Behebung:

- 1.1 Nachprüfen, ob der rote Schalter (Nr.27 Abb. 5) auf Position "I" ist.
- 1.2 Elektrische Kabel ohne Anschluß.  
(Durch Fachpersonal prüfen lassen).
- 1.3 Starter ohne Stromzufuhr.  
(Durch Fachpersonal prüfen lassen).
- 1.4 Erdungskabel des Generators ohne Anschluß.  
(Durch Fachpersonal prüfen lassen).

#### 2 Starter reagiert, Motor springt nicht an

Ursache und Behebung:

- 2.1 Mangel an Brennstoff: Kontrollieren.
- 2.2 Mangel an Motoröl.  
Nachprüfen, ob beim Starten die rote Lampe am Bedienungspaneel (Nr.6 Abb. 5) aufleuchtet.  
Ölstand kontrollieren und auffüllen (siehe Wartungshinweise).
- 2.3 Sicherheitsschalter (Nr.7 Abb. 6 und 14) auf Position "0".  
Auf Position "I" stellen.
- 2.4 Den Kerzenstecker überprüfen.
- 2.5 Spannung gelangt nicht zur Kerze.  
(Durch Fachpersonal prüfen lassen).
- 2.6 Treibstoff gelangt nicht zum Vergaser.  
(Durch Fachpersonal prüfen lassen).

### 3 Der Generator geht oft aus.

Ursache und Behebung:

- 3.1 Der Treibstoff geht zu Ende: Nachtanken.
- 3.2 Mangel an Öl.  
Ölstand kontrollieren und auffüllen.  
(siehe Wartungshinweise).
- 3.3 Luftfilter schmutzig.  
(Durch Fachpersonal prüfen lassen).

### 4 Der Generator erzeugt keine Spannung

Ursache und Behebung:

- 4.1 Thermoschutz ausgeschaltet:  
durch Knopfdruck wieder einschalten  
(Nr.10 Abb. 6 und 14) für Wechselstrom 230V;  
(Nr.11 Abb. 6 und 14) für Wechselstrom 12V.
- 4.2 Kondensator (Nr.19 Abb. 8) beschädigt.  
(Durch Fachpersonal prüfen lassen).
- 4.3 Diodenbrücke (Nr.21 Abb. 8) beschädigt.  
In diesem Fall funktionieren nur die 12V-Gleichspannung  
und das grüne LED am Bedienpaneel nicht.  
(Durch Fachpersonal prüfen lassen).
- 4.4 Rotordioden beschädigt.  
(Durch Fachpersonal prüfen lassen).
- 4.5 Frequenz zu niedrig.  
(Durch Fachpersonal prüfen lassen).

### 5 Der ohne eingeschaltete Verbraucher erzeugte Strom schwankt

Ursache und Behebung:

- 5.1 Öltank zu voll: Überprüfen.
- 5.2 Defekte Vergasung.  
Den Vergaser vom Fachpersonal reinigen lassen.

## 5.0 WARTUNG



### VERMERK

Nur Originalersatzteile verwenden. Bei Verwendung von Ersatzteilen ungleicher Qualität kann der Generator beschädigt werden.

Regelmäßige Kontrolle und Einstellungen sind unerlässlich zum Erhalt des hohen Leistungsniveaus. Regelmäßige Wartung sichert dem Generator außerdem eine lange Lebensdauer.



### GEFAHR

Bevor irgendwelche Kontrollen oder Wartungsarbeiten am Generator durchgeführt werden, den Sicherheitsschalter (Nr. 7 Abb. 6 und 14) auf Position "0" stellen, um ein unbeabsichtigtes Starten des Aggregats zu verhindern. Beim Modell 1000 ist kein Sicherheitsschalter vorhanden, daher muß der Zündkerzenstecker Nr. 1 Abb. 8 abgenommen werden.

## 5.1 KONTROLLARTEN UND ZEITLICHE ABSTÄNDE

ABSTÄNDE DER TURNUSMÄSSIGEN WARTUNG Durchzuführen nach den angegebenen Zeitabständen oder Arbeitsstunden, je nachdem, welcher Fall zuerst eintritt.		Bei jedem Gebrauch	Im ersten Monat oder nach 20 Stunden	Alle 3 Monate oder 50 Stunden	Alle 6 Monate oder 100 Stunden	Jedes Jahr oder nach 300 Stunden
Motoröl	Kontrolle	▲				
	Wechsel		▲		▲(2)	
Luftfilter	Reinigung			(1)▲(2)		
Zündkerze	Kontrolle-Reinigung				▲(2)	
Ventilnachstellung	Kontrolle-Regulierung					▲(2)
Benzinfilter	Reinigung					▲(2)
Drehzahl oder Frequenz	Regulierung		▲(2)			▲(2)
Schwingungsdämpfer	Kontrolle					▲(2)
Benzinschläuche	Kontrolle (auswechseln, wenn nötig)	Alle 2 Jahre (2)				

- VERMERK (1): In staubigen Gebieten öfter reinigen.  
(2): Nur durch Fachpersonal vornehmen lassen.

## 5.2 WARTUNGSARBEITEN OHNE FACHPERSONAL

Für diese Kontrolle wird die Klappe des Generators geöffnet. Dabei sind folgende Hinweise zu beachten:

- 1) Der Generator muß abgestellt und alle Teile müssen kalt sein.
- 2) Abkühlen lassen.
- 3) Den Sicherheitsschalter auf "0" stellen.  
N.B. Nach der Kontrolle wieder auf "1" zurückstellen!

## ÖLSTANDSKONTROLLE

- 1) Die Öltankkappe (Nr. 9 Abb. 8) abnehmen und den Meßstab reinigen.
- 2) Den Meßstab vollständig einführen.
- 3) Den Stab herausziehen und prüfen, ob der Ölpegel zwischen den zwei Kerben liegt (Min. - Max.).  
Falls nötig mit geeignetem Öl nachfüllen.
- 4) Die Kappe wieder aufsetzen.



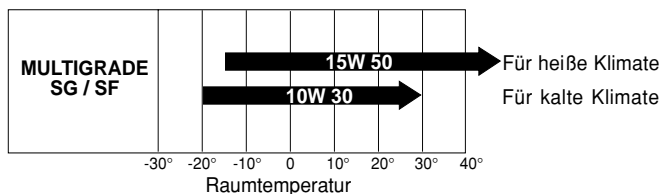
### VERMERK

Bei allen Kontrollarbeiten muß der Generator waagrecht stehen.

## 5.3 WARTUNGSARBEITEN DURCH FACHPERSONAL

Für einige Wartungsarbeiten kann das Aggregat nach Lockerung der Klemmschrauben (Nr. 28 Abb. 7 und 15) aus dem Gehäuse herausgezogen werden.

## 5.3.1 ÖLWECHSEL



Detergent-Öl für Viertakt-Motore der Kategorie API SG oder SF (auf dem Behälter angegeben) mit SAE Viskosität je nach Klima verwenden (siehe Tabelle).

Zur Erleichterung des Ölablassens empfiehlt es sich, das Gerät 3 - 5 Minuten warmlaufen zu lassen, damit das Öl flüssiger wird und nach Abnahme der Ablaufkappe (Nr. 8 Abb. 8 und 15) schneller und vollständiger über das Ablaufrohr (Nr. 2 Abb. 8 und 15) abfließt.

Mit einem Öl vom empfohlenen Typ über die Kappe Nr. 9 Abb. 8 wieder auffüllen.

Die im Gehäuse enthaltene Ölmenge ist in Tab. 2 angegeben.

Mod.	Ölmenge
1000	0,45
2500	0,6
3000	0,6
4000	1,1
5500	1,1

**TAB. 2**



### GEFAHR

- Heißes Öl kann Verbrennungen hervorrufen.
- Bei Betreiben des Motors mit unzureichendem Ölstand kann dieser schwer beschädigt werden.
- Den Ölstand bei ausgeschaltetem Motor prüfen.



### VERMERK

Altöl darf nicht weggeschüttet werden, sondern muß an Spezialfirmen für die Entsorgung und/oder Rückgewinnung abgegeben werden, wobei die die geltenden Gesetze des betreffenden Landes zu beachten sind.

## 5.3.2 LUFTFILTERREINIGUNG



### VERMERK

Ein schmutziger Luftfilter (Nr. 3 Abb. 8 und 11) vermindert die Luftzufuhr zum Vergaser. Um einen reibungslosen Lauf des Vergasers zu gewährleisten, muß der Filter regelmäßig kontrolliert werden. In staubigen Gebieten öfter kontrollieren.



### GEFAHR

Kein Treiböl oder Lösemittel mit niedrigem Verdunstungsgrad für die Reinigung des Luftfilters verwenden, denn das könnte zu Feuer- oder Explosionsgefahr führen.

Den Motor nie ohne Luftfilter benutzen, denn er würde sich in kurzer Zeit abnutzen.

- 1 Beide Einsätze auf eventuelle Löcher oder Risse überprüfen und bei Beschädigung auswechseln (bei 1000 H/HG nur ein Einsatz).
- 2 Schaumstoffeinsatz: Den Luftfiltereinsatz in warmen Wasser und Haushaltsspülmittel reinigen, dann gründlich durchspülen. Den Einsatz gut trocknen lassen, in sauberem Motoröl einweichen und das überschüssige Öl ausdrücken.
- 3 Papiereinsatz: Den Luftfiltereinsatz mehrere Male auf eine harte Unterlage aufklopfen, um den Schmutz zu entfernen, oder durch Druckluft von innen nach außen durchblasen. Niemals versuchen den Schmutz herauszubürsten, da dies die Schmutzteilchen nur noch tiefer in die Fasern hineindrückt. Wenn der Luftfiltereinsatz stark verschmutzt ist, ihn durch einen neuen ersetzen.

## 5.3.3 ZÜNDKERZENWARTUNG

EMPFOHLENE ZÜNDKERZE:

Mod. 1000            BMR-4A (980073-54744)    NGK  
                           BPMR4A-10 (98073-54941)    NGK

Mod. 2500/3000/4000/5500  
                           BP6ES, BPR6ES                    NGK  
                           W20EP-U, W20EPR-U            ND

Keine Kerzen mit anderen Wärmewerten verwenden.

1. Den Kerzenstecker (Nr. 1 Abb. 8) abnehmen und die Zündkerze mit einem Zündkerzenschlüssel herausnehmen.
2. Prüfen, ob die Zündkerze abgenutzt oder der Isolator beschädigt oder angebrochen ist. Die Kerze mit einer Metallbürste reinigen, wenn sie wieder verwendet wird.
3. Den Abstand zwischen den Elektroden durch einen Dickenmesser nachmessen. Er muß 0,7-0,8 mm betragen und kann durch das Biegen der Seitenelektrode korrigiert werden.
4. Prüfen, ob die Zündkerzendichtung intakt ist und mit der Hand gerade aufschrauben.
5. Nach dem Einsatz die Zündkerze mit dem Zündkerzenschlüssel fest anziehen.



### VERMERK

Wenn eine neue Zündkerze eingesetzt wird, muß sie, nachdem sie fest auf der Dichtung aufsitzt, um eine halbe Drehung angezogen werden. Bei der Verwendung von gebrauchten Zündkerzen genügt eine 1/8- oder 1/4-Drehung.

**ACHTUNG**

*Die Zündkerze muß fest angezogen werden, denn sonst erhitzt sie sich und beschädigt den Motor.*

---

**5.3.4 SPANNUNGSREGULIERUNG**

Die Regulierung muß bei warmem Motor, ohne Verbraucher und bei angestelltem Generator durchgeführt werden.

Die Spannung des Generators mit einem Tester oder Spannungsmesser über einen 230V-Stecker des Fahrzeugs oder an den Klemmen (Nr.17-18 Abb. 6 und 14) des Generators kontrollieren.

Die Spannung muß ohne eingeschaltete Verbraucher zwischen 230 und 240 Volt betragen.

Zu einer eventuellen Nachregulierung dient die Regulierschraube des Beschleunigers (Nr. 32 Abb. 10 und 15).

Durch Drehung im Uhrzeigersinn wird die Spannung erhöht. Durch Drehung gegen den Uhrzeigersinn werden Drehzahl und Spannung vermindert.

**6.00 STILLEGUNG UND ABRÜSTUNG****6.01 ABRÜSTUNG**

Für die Abrüstung ist nur das Fachpersonal zuständig.

**7.0 MITTEL ZUR FEUERBEKÄMPFUNG**

Im Brandfall das Gehäuse des Generators nicht öffnen und zugelassene Feuerlöscher benutzen.

## 8.0 TECHNISCHE EINZELHEITEN

### 8.1 TECHNISCHE DATEN

MOTOR		1000H	2500H	3000H	4000H	5500H
Typ		Einzylinder Viertakte seitliche Ventile	Einzylinder, Viertakter, hängende Ventile			
Modell Honda		G100K2	GX 160	GX 200	GX 270	GX 390
Hubraum	cm <sup>3</sup>	97	163	196	270	389
Laufbohrung	mm	52x46	68x45	68x54	77x58	88x64
Verbrauch	gkW/h	300	230	230	230	235
Treibstoff		Bleifreies Benzin				
Startsystem		elektronisch				
Zündkerze		NGK / ND	NGK	NGK	NGK	NGK
Ölumlauf	Liter	0,45	0,6	0,6	1,1	1,1
Geschwindigkeitsregler		automatische Fliehkraftregelung				
STROMERZEUGER		1000H	2500H	3000H	4000H	5500H
Typ		synchron, einphasig, selbstregulierend, selbsterregend zweipolig, bürstenlos				
Max. Spitzenleistung	W	900	2200	2700	3800	5300
Dauerleistung	W	800	2000	2400	3500	4500
Spannung/Frequenz		230V 50Hz				
Gleichspannung		12V 25A	12V 10A	12V 10A	12V 10A	12V 10A
Rotorisolation	H	H	H	H	H	H
Statorisolation	F	F	F	F	F	F
Kühlung		Luftkühlung				
GENERATOR		1000H	2500H	3000H	4000H	5500H
Gewicht	Kg	39	50	59	102	132
Maße (LängexBreitexHöhe)	mm	470x320x315	530x385x290	570x385x290	660x475x355	700x520x510
Start		elektrisch/manuell				
Benzinpumpe		mit Unterdruck				
Bedienung		Separates Bedienpaneel mit: Startknopf Kaltstartknopf Stop-Schalter Benzinlampe Betriebslampe Öllampe Betriebsstundenzähler				

## ALGEMENE INHOUDSOPGAVE

GB	.....	Pag.	1÷9
I	.....	Pag.	10÷18
D	.....	Pag.	19÷27
NL	.....	Pag.	28÷36
F	.....	Pag.	37÷45
SP	.....	Pag.	46÷54

## INHOUDSOPGAVE

Omschrijving	Pagina
1.0 Identificatie .....	29
1.1 Producent .....	29
1.2 Definities .....	29
1.3 Vervoer - verplaatsing - opslag .....	29
1.3.1 Opslagomstandigheden .....	29
1.3.2 Gewicht .....	29
1.3.3 Afmetingen .....	29
1.3.4 Verplaatsing .....	29
<b>2.0 Installatie</b> .....	29
2.1 Bevoegd personeel .....	29
2.2 Montage van de generator .....	30
2.3 Elektrische aansluitingen .....	30
2.3.1 Aansluiting van de acculader .....	30
2.3.2 Aansluiting van de startaccu .....	30
2.3.3 Aansluiting afstandbedieningspaneel .....	30
2.4 Installeren van de benzinetank Aansluiting aan de gasfles .....	31
<b>3.0 Algemene bediening</b> .....	31
3.1 Beschrijving van de generator en zijn werking ..	31
3.2 Veiligheidsadvies .....	31
3.3 Geluidsniveaus .....	31
<b>4.0 Gebruiksaanwijzingen</b> .....	32
4.1 Starten van de generator .....	32
4.2 De generator stoppen .....	32
4.3 Onvermijdbare risico's .....	32
4.4 Onjuist gebruik .....	32
4.5 Praktische aanwijzingen .....	32
4.6 Foutopsporing .....	32
<b>5.0 Onderhoud</b> .....	33
5.1 Aard en frequentie controles .....	33
5.2 Onderhoudswerkzaamheden waar geen gekwalificeerd personeel bij nodig is .....	33
5.3 Onderhoudswerkzaamheden waar gekwalificeerd personeel bij nodig is .....	34
5.3.1 Olie verversen .....	34
5.3.2 Onderhoud luchtfilter .....	34
5.3.3 Onderhoud bougie .....	34
5.3.4 Spanningsregeling .....	35
<b>6.0 Stilstand en demontage</b> .....	35
6.1 Demontage .....	35
<b>7.0 Wat te doen bij brand</b> .....	35
<b>8.0 Technisch gegevensblad</b> .....	36
8.1 Technische specificaties .....	36
8.2 Stroomschema's .....	55÷71

### © WTA srl -1998

Alle rechten voorbehouden


Gedrukt in Italië

Teksten en grafieken door: VEGA - Forlì

Niets uit deze uitgave mag in enige vorm of op enige wijze worden gereproduceerd, gekopieerd of verspreid, zonder voorafgaande schriftelijke toestemming van **WTA srl**.

Figuren, omschrijvingen, verwijzingen en technische gegevens in deze handleiding worden slechts als voorbeeld gebruikt en zijn niet bindend. Aangezien **WTA** een beleid voert waarbij producten en veiligheid voortdurend worden verbeterd, behouden wij het recht voor op ieder moment, zonder mededeling vooraf, wijzigingen aan te brengen.

## 1.0 IDENTIFICATIE

Het  -identificatieplaatje van de machine is aan de buitenzijde van de platen behuizing (zie fig. 1) bevestigd.

### 1.1 PRODUCENT

WTA srl  
Via Virgilio, 3  
47100 FORLI' - ITALIË  
P. IVA 00718330400

### 1.2 DEFINITIES

In deze handleiding worden drie soorten „veiligheidsafbeeldingen“ gebruikt om verschillende gevarenniveaus of andere belangrijke informatie aan te duiden.



#### GEVAAR

*Vestigt uw aandacht op potentieel gevaarlijke situaties die ernstig persoonlijk letsel kunnen veroorzaken.*



#### PAS OP

*Vestigt uw aandacht op potentieel gevaarlijke situaties die persoonlijk letsel of materiële schade kunnen veroorzaken.*



#### LET OP

*Vestigt uw aandacht op situaties die storingen of schade aan de machine kunnen veroorzaken.*

## 1.3 VERVOER - VERPLAATSING - OPSLAG

### 1.3.1 OPSLAGOMSTANDIGHEDEN

De generator wordt door middel van geschikte verpakking bestaande uit karton, polystyreen en een versterkte houten bodem beschermd tegen plotselinge schokken.

De generator dient horizontaal te worden opgeslagen in een droge en goed geventileerde ruimte.

### 1.3.2 GEWICHT

Brutogewicht (inclusief verpakking):

Mod. 1000 .....	Kg	50
Mod. 2500 .....	Kg	62
Mod. 3000 .....	Kg	71
Mod. 4000 .....	Kg	114
Mod. 5500 .....	Kg	140

## 1.3.3 AFMETINGEN

Zie fig. 2, 3, 4:

		Model					
		1000	2500	3000	4000	5500	
INSTALLATIE TYPE A	A mm	470	530	570	660	700	
	B mm	535	605	650	740	--	
	C mm	565	640	680	770	770	
	D mm	320	385	385	475	520	
	E mm	315	290	290	355	510	
	F mm	260	295	295	310	--	
	G mm	27	30	30	62	--	
	H mm	--	360	360	--	--	
INSTALLATIE TYPE B	I mm	65	87	113	78	--	
	L mm	65	96	97	265	--	
	M mm	225	222	230	130	--	
	N mm	36	28	25	17	--	
	O mm	535	605	650	740	735	
	P mm	27	30	30	62	55	
	Q mm	260	295	295	310	370	
	DIM. OPENING	X mm	590	650	690	780	780
Y mm		385	430	435	540	530	
Z mm		335	305	305	380	530	
luchtaanzuiggebied							
		cm <sup>2</sup>	220	220	220	260	--

### 1.3.4 VERPLAATSING

De verpakte generator kan met normale hef- en transportmiddelen worden verplaatst.

Kisten zijn uitgerust met afstandstukken voor het gebruik van handmatige vorkhefwerktuigen.



#### GEVAAR

*Neem de voorzorgsmaatregelen ter voorkoming van ongelukken en de veiligheidsvoorschriften nauwkeurig in acht tijdens het heffen en vervoeren en maak altijd gebruik van machines met een hoger maximaal vermogen dan de lading die moet worden opgetild.*

## 2.0 INSTALLATIE

### 2.1 BEVOEGD PERSONEEL

De generator mag alleen door bevoegd personeel op het voertuig (caravan, camper of bijzonder voertuig) worden geïnstalleerd en wel door vakbekwame monteurs of werkplaatsen die direct door W.T.A. zijn geautoriseerd.

Wanneer de installatie door onbevoegde monteurs of werkplaatsen is uitgevoerd wijst W.T.A. elke verantwoordelijkheid voor de veiligheid en efficiënte werking van de generator volgens machinerichtlijn 89/392/EEG van de hand.



## GEVAAR

De aanwijzingen in paragraaf 2.2 - 2.3 - 2.4 zijn alleen bestemd voor gekwalificeerde monteurs.

## 2.2 MONTAGE VAN DE GENERATOR

De generatormodellen 1000 - 2500 - 3000 - 4000 zijn uitgerust met bevestigingsbeugels, trillingsdempers en een benzinefilter die aan de brandstofvoedingsleiding naar de generator dient te worden bevestigd. Met de bevestigingsbeugels kan de generator zowel hangend (montagetype „A“, zie fig. 3) als op traditionele wijze worden gemonteerd (montagetype „B“, zie fig. 4).

Dit is mogelijk door het draagvermogen van de buitenconstructie.

Model 5500 is uitgerust met beugels ter bevestiging van de buitenafdichting, beugels voor de verankering van de eenheid, trillingsdempers, een geluiddemper (nr. 29 fig. 16) die aan de uitlaatleiding die wordt geleverd als accessoire AG 125 (nr. 34 fig. 16) moet worden aangebracht en een benzinefilter die standaard binnen de behuizing wordt geïnstalleerd (nr. 33 fig. 15). Met de beugels (nr. 31 fig. 16) waarmee de afdichting (nr. 35 fig. 16) kan worden bevestigd is het mogelijk de generator volledig - inclusief afdichting - binnen de bestemde ruimte te monteren en de zijkant van het voertuig perfect af te dichten. De uitlaatslang kan naar wens worden gelegd, zoals te zien in fig. 16, door de kromming binnen het apparaat naar boven of naar onder te draaien. Door de kromming te verwijderen is het ook mogelijk de uitlaatleiding direct door de behuizing aan de linkerkant aan te brengen. De bestemde installatieplaats moet zowel het gewicht van de generator als de trillingen als gevolg van de bewegingen van het voertuig kunnen verdragen („TYPE B“-montage).

Montagetype „A“ (hangende installatie) biedt de volgende voordelen: kleinere afmetingen, snelle installatie, eenvoudige toegang voor normale en bijzondere onderhoudswerkzaamheden.

Zorg ervoor dat er voldoende ruimte is rondom de behuizing van de generator, zodat de lucht er goed langs kan stromen (afkoeling). Het is ook noodzakelijk een afstand van ten minste 20 mm te behouden tussen de behuizing en de omliggende onderdelen.

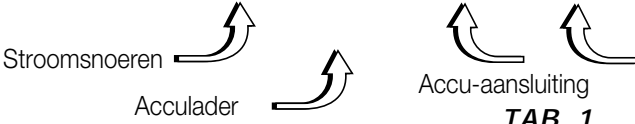
Wanneer de behuizing achter een wiel van het voertuig wordt gemonteerd dient u er voor te zorgen dat tijdens het rijden op natte wegen de band geen water in de generator kan spatten. Voor montagetype „A“ moet u de meegeleverde metalen steunen gebruiken om ervoor te zorgen dat de generatorgroep goed vast zit. Wanneer de voorkeur wordt gegeven aan montagetype „B“ (traditionele installatie), moet er eerst voor een waterdicht compartiment (fig. 2) gezorgd worden - tegen het voertuiginterieur en met de afmetingen die zijn gegeven in paragraaf 1.3.3 - met geboorde

uitlaatgaten en luchtinlaten in de vloer en deur. Maak bovendien gebruik van een als accessoire geleverde uitlaatverbindingstuk (fig. 4) dat direct op de generatorbehuizing wordt bevestigd met schroeven of klinken. Om te voorkomen dat het uitlaatgas hercirculeert binnen het compartiment dient er een vuurvaste afdichting rondom het uitlaatverbindingstuk te worden aangebracht.

## 2.3 ELEKTRISCHE AANSLUITINGEN

Maak voor 230V gebruik van een standaard kabel met een doorsnede die overeenstemt met de onderstaande tabel 1. Steek hem binnen de behuizing via de draaddoorgang (nr. 30 fig. 7 en 9) en verbind hem met de aansluitklemmen (nr. 17/18 fig. 6 en 14) Verbind de aarddraad met nr. 15. De elektrische stroomkring moet over een relais of een wisselchakelaar beschikken (b.v. accessoire AG 102/AG113) om te voorkomen dat de generator wordt beschadigd wanneer de camper aan een externe netvoeding wordt aangesloten (er wordt automatisch prioriteit gegeven aan het stroomnet).

Mod.	Doo. mm <sup>2</sup> 230 V	Doo. mm <sup>2</sup> 12 V	6 m	> 6 m
1000	1,5	6	10	16
2500	2,5	2,5	10	16
3000	2,5	2,5	10	16
4000	4	2,5	10	16
5500	4	2,5	16	25



Stromsnoeren      Acculader      Accu-aansluiting

**TAB. 1**

### 2.3.1 AANSLUITING VAN DE ACCULADER

Maak gebruik van een draad met een minimale doorsnede die overeenstemt met de bovenstaande tabel 1 om de aansluitklem (nr. 16 fig. 6 en 14) te verbinden met de pluspool van de op te laden accu.

Voeg de spanningsregelaar AG111 of eventueel een schakelaar toe om het opladen af te kunnen breken. (Zie aansluitschema's, pagina 55 - 71).

### 2.3.2 AANSLUITING VAN DE STARTACCU

Om de generator te starten moet u een vuurvaste, beklede snoer met een doorsnede die overeenstemt met de bovenstaande tabel 1 verbinden met de pluspool van de startaccu van het voertuig en met de aansluitklem (nr. 12 fig. 6 en 14).

De aarddraad moet dezelfde doorsnede hebben en vanaf nr. 13 verbonden zijn met het frame van het voertuig. Zorg ervoor dat de verbinding schoon en roestvrij is (m.a.w. schuur het oppervlak als het geveerd is) en bescherm deze met vet.

### 2.3.3 AANSLUITING AFSTANDBEDIENINGSPANEEL

Plaats het bedieningspaneel op de gewenste positie binnen het voertuig en maak gebruik van de afzonderlijk geteste verlengkabel AG103 om hem via de connector (nr. 14 fig. 6 en 14) met de generatorgroep te verbinden.

## 2.4 INSTALLEREN VAN DE BENZINETANK

Monteer de benzinetank zo dicht mogelijk bij de generator en (indien mogelijk) op dezelfde hoogte, of maximaal 30 cm daar onder. Behalve dat u de lengte van de benzineleiding zo klein mogelijk moet houden moet u er ook voor zorgen dat de slang niet is verbogen of platgedrukt. Plaats de tank niet bij warmtebronnen en zorg ervoor dat er geen water kan binnendringen.

Monteer alle aansluitingen met LOCTITE 577 om lekkage van benzine te voorkomen.

Maak gebruik van een met rubber beklede slang van 6x13mm (van hetzelfde type als gebruikt voor de generatorgroep) die geschikt is voor loodvrije benzine. Voor de verlenging dient men de meegeleverde klemmen en het filter te gebruiken. Het is aan te raden benzineslang AG118 (accessoire) te gebruiken voor de verbinding van de tank naar de tankmond.



### LET OP

Model 5500 heeft geen benzinetank nodig, aangezien deze standaard in de behuizing van de generatorgroep is gemonteerd.

## AANSLUITING AAN DE GASFLES



### PAS OP

Voor de LPG-generatorgroep moet het gas uit het bovenste deel van de rechtop staande fles worden genomen, achter de gasafnamesteunen en voor de drukregelaar van de fles, zodat het gas de generatorgroep in gasvorm en onder hoge druk binnengaat.

(Aanbevolen minimale druk: 0,7 - 0,9 bar)

## 3.0 ALGEMENE BEDIENING



### LET OP

De onderneming wijst iedere verantwoordelijkheid af voor schade als gevolg van storingen in de generator.

## 3.1 BESCHRIJVING VAN DE GENERATOR EN ZIJN WERKING

De generator bestaat uit een endothermische benzinemotor die verbonden is met een stroomopwekker die zowel wissel- als gelijkstroom produceert.

De eenheid is gehuld in een geluiddichte behuizing van plaatstaal en wordt geïsoleerd met speciale dempende materialen. De benzine gaat naar de verbrandingsmotor via een pomp die standaard op de eenheid zelf wordt gemonteerd.

## 3.2 VEILIGHEIDSADVIES

De eenheid zit in een perfect afgesloten behuizing. Hierdoor is het niet mogelijk dat hete of bewegende onderdelen of spanningsleidingen worden aangeraakt.

De deur van de eenheid is uitgerust met een slot en de sleutel mag niet binnen het bereik van kinderen of onbevoegd personeel worden achtergelaten.



### GEVAAR

- De eenheid mag alleen worden gebruikt als de deur is gesloten.
- Houd brandgevaarlijke stoffen als benzine, verf, oplosmiddelen, etc. uit de buurt van de generator.
- Laat de hete onderdelen van de generatorgroep niet in contact komen met brandbare materialen.
- Nooit tanken terwijl de motor loopt als de tank dicht bij de generator is geplaatst.
- Raak de generator en zijn aansluitingen nooit aan met natte handen.
- Vervang de zekeringen of thermoschakelaars nooit met exemplaren met een hogere amperage.
- Alle controles aan elektrische onderdelen vinden plaats als de motor stil staat en mogen alleen door bevoegd personeel worden uitgevoerd.

De generator wordt vervaardigd volgens de veiligheidsvoorschriften die worden beschreven in de conformiteitsverklaring.

## 3.3 GELUIDSNIVEAUS

De generator is onderworpen aan een geluidemissietest bij een gekwalificeerd ISTEDIL-laboratorium, waar alle noodzakelijke tests zijn uitgevoerd en EG-certificaat nr. I-225/92 werd verstrekt, met de volgende resultaten:

Gemeten volgens EG-richtlijn 84/536

GELUIDSNIVEAU:

Mod. 1000 .....	LwA	81
Mod. 2500 .....	LwA	85
Mod. 3000 .....	LwA	85
Mod. 4000 .....	LwA	87
Mod. 5500 .....	LwA	87

## 4.0 GEBRUIKSINSTRUCTIES

### 4.1 STARTEN VAN DE GENERATOR

Normaal wordt de accu van 12 V gebruikt om de generatorgroep te starten.

Zet eerst de rode knop (nr. 27 fig. 5) op het bedieningspaneel in de positie „I“.

Om de generatorgroep bij een koude motor te starten moet u de groene START-knop (nr. 25 fig. 5) tegelijk met de witte CHOKE-knop gedurende max. 5 seconden ingedrukt houden.

Wanneer u de LPG-generator bij een koude motor wilt starten moet u op de groene knop drukken (nr. 25 fig. 5) en tegelijkertijd de witte knop (nr. 26 fig. 5) gedurende ongeveer een seconde „aantippen“ met onderbrekingen van 3 seconden. Zodra de motor aanslaat moet u beide knoppen loslaten.

Als de motor niet wil starten moet u een paar seconden wachten en vervolgens de handeling herhalen.



### PAS OP

*Probeer niet gedurende langere tijd of meerdere keren (meer dan 5 pogingen achter elkaar) de generatorgroep te starten, aangezien hierdoor de startmotor beschadigd kan raken.*

Om de generatorgroep te starten als de motor al warm is, of in de zomer wanneer de buitentemperaturen hoog zijn, hoeft u alleen op de groene START-knop (nr. 25 fig. 5) te drukken.

Bij noodgevallen kan de generatorgroep met de hand worden gestart door middel van een starthendel (nr. 4 fig. 8 en 15), terwijl (als de motor koud is) de chokemagneet (nr. 36 fig. 8 en 15) met één hand wordt gesloten.

De groene LED op het bedieningspaneel (nr. 23 fig. 5) geeft aan dat de generatorgroep correct werkt.

### 4.2 DE GENERATOR STOPPEN

Zet de rode STOP-toets (nr. 27 fig. 5) op het bedieningspaneel in de positie „0“. Bij de modellen 2500 - 3000 - 4000 - 5500 kunt u eventueel ook gebruik maken van de veiligheidsschakelaar op de generatorgroep zelf (nr. 7 fig. 6 en 14).

### 4.3 ONVERMIJDBARE RISICO'S



### GEVAAR

*De generator is uitgerust met een verbrandingsmotor en maakt zodoende gebruik van licht ontvlambare brandstoffen.*

*Uitlaatgassen komen onder de behuizing en zijn, hoewel zij met koelingslucht worden vermengd, zeer heet.*

*Raak de onderdelen van de behuizing vlakbij de uitlaat niet aan en plaats geen handen of andere objecten in de behuizing.*

## 4.4 ONJUIST GEBRUIK



### GEVAAR

*De generator mag alleen door gekwalificeerd personeel worden geïnstalleerd, volgens de aanwijzingen van de producent.*

*De generator mag uitsluitend worden gebruikt voor het opwekken van stroom voor voertuigen die zijn uitgerust met een standaard elektrische stroomkring die overeenstemt met de stroom die door de generator wordt voorzien.*

## 4.5 PRAKTISCHE AANWIJZINGEN

Voor het beste gebruik van de generator herinneren wij u er aan dat kleine, maar langdurige overbelastingen als gevolg kunnen hebben dat de thermoschakelaars (nr. 10 en 11 in fig. 6 en 14) worden uitgeschakeld.

Gedurende de inlooptijd is het raadzaam de nieuwe motor niet te onderwerpen aan belastingen die de nominale belastingen met 70% overschrijden, in ieder geval tijdens de eerste 50 werkuren.

## 4.6 FOUTOPSPORING

Hieronder volgt een lijst met storingen die voor kunnen komen, met de respectievelijke oorzaken en mogelijke oplossingen. Als er storingen zijn die niet in deze lijst voorkomen, kunt u advies vragen bij een bevoegd klantenservicecentrum.

### 1 Wanneer de groene START-knop (nr. 25 fig. 5) op het bedieningspaneel wordt ingedrukt, werkt de generator niet.

Oorzaken en oplossingen:

- 1.1 Controleer of de rode schakelaar (nr. 27 fig. 5) in de positie „I“ staat.
- 1.2 Stroomsnoeren zijn los.  
(Door bevoegd personeel laten controleren).
- 1.3 Geen stroomvoorziening naar startmotor.  
(Door bevoegd personeel laten controleren).
- 1.4 Aarddraad van de generator niet aangesloten.  
(Door bevoegd personeel laten controleren).

### 2 De startmotor draait, maar de generator wil niet starten.

Oorzaken en oplossingen:

- 2.1 Geen brandstof: controleren.
- 2.2 Geen olie in de motor.  
Controleer of het rode waarschuwingslampje (nr. 6 fig. 5) op het bedieningspaneel knippert tijdens het starten.  
Oliëniveau controleren en eventueel bijvullen (zie Onderhoud).
- 2.3 De veiligheidsschakelaar (nr. 7 fig. 6 en 14) is in de positie „0“.  
Controleer en in positie „I“ zetten.
- 2.4 Controleer of de stekker van de bougie volledig is ingestoken.

- 2.5 Geen stroom in de bougie.  
(Door bevoegd personeel laten controleren).
- 2.6 Er gaat geen brandstof naar de carburateur.  
(Door bevoegd personeel laten controleren).

### 3 De generator slaat af.

Oorzaken en oplossingen:

- 3.1 Geen brandstof meer in de tank: tanken.
- 3.2 Laag olieniveau.  
Controleren en bijvullen.  
(Zie Onderhoud).
- 3.3 Luchtfilter is vies.  
(Door bevoegd personeel laten controleren).

### 4 De generator produceert geen stroom

Oorzaken en oplossingen:

- 4.1 Thermoschakelaar is uitgeschakeld.  
Aanzetten door op de schakelaars te drukken (nr. 10 fig. 6 en 14) voor 230V A.C., (nr. 11 fig. 6 en 14) voor 12V D.C.
- 4.2 Condensator (nr. 19 fig. 8) is beschadigd.  
(Door gekwalificeerd personeel laten controleren).
- 4.3 Diodenbrug (nr. 21 fig. 8) is beschadigd.  
In dit geval werken alleen de 12V D.C. en de groene LED op het controlepaneel niet.  
(Door gekwalificeerd personeel laten controleren).
- 4.4 Rotordioden zijn beschadigd.  
(Door gekwalificeerd personeel laten controleren).
- 4.5 Frequentie te laag.  
(Door gekwalificeerd personeel laten controleren).

### 5 De geleverde stroom produceert schommelingen

Oorzaken en oplossingen:

- 5.1 Te veel olie in de motor: controleren.
- 5.2 Defecte carburateur.  
Laat de carburateur schoonmaken door gekwalificeerd personeel.

## 5.0 ONDERHOUD



### LET OP

*Maak alleen gebruik van originele reserve-onderdelen. De generator kan worden beschadigd als er niet-originele onderdelen worden gebruikt die andere kwaliteitsnormen kennen.*

*Goed en regelmatig onderhoud zijn van essentieel belang om de generator op maximaal vermogen te laten werken. Bovendien zal de generator bij regelmatig onderhoud langer meegaan.*



### GEVAAR

*Voordat u controles of onderhoudswerkzaamheden gaat uitvoeren aan de generatorgroep, moet u de*

*veiligheidsschakelaar (nr. 7 fig. 6 en 14) naar positie „O“ draaien, om te voorkomen dat de eenheid per ongeluk wordt gestart. Bij model 1000 moet u de bougie-stekker (nr. 1 fig. 8) los maken, aangezien er geen veiligheidsschakelaar is.*

## 5.1 AARD EN FREQUENTIE CONTROLES

REGULIERE PERIODES TUSSEN ONDERHOUDSBEURTEN uitvoeren met de tussenperiodes of na de werkuren die in de tabel worden gegeven, afhankelijk van de situatie die zich het eerst voordoet.		leder gebruik	Eerste maand of 20 uur	ledere 3 maa. of 50 uur	ledere 6 maa. of 100 uur	ledere anno of 300 uur
Motorolie	controle	▲				
	verversen		▲(2)		▲(2)	
Luchtfilter	schoonmaken			(1)▲(2)		
Bougie	controle - schoonmaken				▲(2)	
Klepafstelling	controle - afstellen					▲(2)
Benzinefilter en -tank	schoonmaken					▲(2)
Toerental of frequentie	afstellen		▲(2)			▲(2)
Ophangpunten voor trillingsdempers	controle					▲ (2)
Benzineslangen	controle (eventueel vervangen)		ledere twee jaar (2)			

N.B. (1): In stoffige gebieden vaker schoonmaken  
(2): Alleen door vakpersoneel laten uitvoeren

## 5.2 ONDERHOUDSWERKZAAMHEDEN WAAR GEEN GEKWALIFICEERD PERSONEEL BIJ NODIG IS

Om deze werkzaamheden uit te kunnen voeren moet eerst de deur van de generator worden geopend. Hierbij dienen de volgende maatregelen in acht genomen te worden:

- 1) De generator moet in een volledige stilstandspositie zijn en alle onderdelen moeten afgekoeld zijn.
  - 2) Laat de eenheid afkoelen.
  - 3) Zet de veiligheidsschakelaar in positie „O“.
- N.B. Zet hem na de controle weer in positie „I“.

### OLIEPEILCONTROLE

- 1) Verwijder de olievuldop (nr. 9 fig. 8) en maak de peilstok schoon.
- 2) Breng de peilstok terug door hem er weer volledig in te schroeven.
- 3) Verwijder de peilstok en controleer of het olieniveau tussen de minimum- en maximumniveaus ligt.  
Zo niet, bijvullen met de aanbevolen olie.
- 4) Breng de dop weer aan.



### LET OP

*Alle controles moeten worden uitgevoerd terwijl de generatorgroep waterpas staat.*



- 5 Na de montage de bougie vastdraaien met behulp van een bougiesleutel met het juiste aandrijfmoment.



## LET OP

*Bij de montage van een nieuwe bougie dient u deze een halve slag te draaien nadat hij stevig tegen de afdichting is geplaatst. Wanneer u dezelfde bougie opnieuw gebruikt is een 1/8 - 1/4 slag voldoende.*



## PAS OP

*De bougie moet goed worden vastgedraaid. Een losse bougie kan zeer heet worden en de motor beschadigen.*

### 5.3.4 SPANNINGSREGELING

De regeling dient te worden uitgevoerd als de motor warm is en de generator zonder belasting loopt.

Controleer de spanning van de generator door middel van een testapparaat of voltmeter verbonden met de stekkerbus van 230V of de aansluitklemmen (nr. 17-18 fig. 6 en 14) van de generator.

De spanning moet tussen 230 en 240 Volt liggen.

Als deze waarden niet worden gemeten moet u de stroomregelschroef (nr. 32 fig. 10 en 15) bijstellen.

Met de wijzers van de klok meedraaien om de spanning te verhogen.

Tegen de wijzers van de klok in draaien om zowel het toerental als de spanning te verlagen.

## 6.00 STILSTAND EN DEMONTAGE

### 6.01 DEMONTAGE

De eenheid mag alleen door gekwalificeerd werkplaatsen worden gedemonteerd.

## 7.0 WAT TE DOEN BIJ BRAND

In het geval van brand mag u de generatorbehuizing niet openen en moet u gebruik maken van de goedgekeurde brandblussers.

## 8.0 TECHNISCHE GEGEVENS

### 8.1 TECHNISCHE SPECIFICATIES

MOTOR		1000H	2500H	3000H	4000H	5500H
Type		eencilinder viertakt zijkleppen	eencilinder, viertakt, hangende kleppen			
Honda model		G100K2	GX 160	GX 200	GX 270	GX 390
Cilinderinhoud	cm <sup>3</sup>	97	163	196	270	389
Boring x slag	mm	52x46	68x45	68x54	77x58	88x64
Verbruik	gkW/h	300	230	230	230	235
Brandstof		loodvrije benzine				
Startsysteem		elektronisch				
Bougie		NGK / ND	NGK	NGK	NGK	NGK
Vermogen motoroliepan	liters	0,45	0,6	0,6	1,1	1,1
Snelheidsregelaar		automatische centrifugaalregeling				
STROOMOPWEKKER		1000H	2500H	3000H	4000H	5500H
Type		synchroon, enkelfasig, zelfregulerend, zelfbekrachtigend, tweepolig, borstelloos				
Max. piekvermogen	W	900	2200	2700	3800	5300
Voor continu gebruik	W	800	2000	2400	3500	4500
Spanning/frequentie		230V 50Hz				
Gelijkspanning		12V 25A	12V 10A	12V 10A	12V 10A	12V 10A
Rotorisolatie klasse	H	H	H	H	H	H
Statorisolatie klasse	F	F	F	F	F	F
Koeling		luchtkoeling				
GENERATOR		1000H	2500H	3000H	4000H	5500H
Totaal gewicht	Kg	39	50	59	102	132
Afmetingen (Lengte x Breedte x Hoogte)	mm	470x320x315	530x385x290	570x385x290	660x475x355	700x520x510
Ontsteking		elektrisch/handmatig				
Benzinepomp		vacuüm				
Afstandsbediening		Afzonderlijk bedieningspaneel met: startknop choke-knop stopschakelaar LED laag benzine peil in-bedrijf lampje olielampje (automatische stop) uurmeter				

## INDEX GENERAL

GB	.....	Pag.	1÷9
I	.....	Pag.	10÷18
D	.....	Pag.	19÷27
NL	.....	Pag.	28÷36
<b>F</b>	.....	Pag.	37÷45
SP	.....	Pag.	46÷54

## INDEX

Description .....	Page
<b>1.0 Identification</b> .....	38
1.1 Maison de Construction .....	38
1.2 Définitions .....	38
1.3 Transport - Manutention - Stockage .....	38
1.3.1 Conditions de stockage .....	38
1.3.2 Poids .....	38
1.3.3 Encombrement .....	38
1.3.4 Manutention .....	38
<b>2.0 Installation</b> .....	38
2.1 Personnel autorisé .....	38
2.2 Instructions de montage du générateur .....	39
2.3 Branchement électrique .....	39
2.3.1 Branchement du chargeur de batteries .....	39
2.3.2 Branchement de la batterie .....	39
2.3.3 Connexion tableau de bord à distance .....	39
2.4 Installation du réservoir .....	39
<b>3.0 Instructions et fonctionnement</b> .....	40
3.1 Description du générateur et fonctionnement ...	40
3.2 Précautions générales .....	40
3.3 Niveaux de bruit .....	40
<b>4.0 Emploi du générateur</b> .....	41
4.1 Démarrage du générateur .....	41
4.2 Arrêt du générateur .....	41
4.3 Dangers résiduels .....	41
4.4 Emploi contre-indiqué .....	41
4.5 Recommandations utiles .....	41
4.6 Interventions en cas de pannes .....	41
<b>5.0 Opérations d'entretien</b> .....	42
5.1 Nature et intervalles d'entretien .....	42
5.2 Opérations d'entretien qui ne demandent pas de personnel qualifié .....	42
5.3 Opérations d'entretien qui demandent du personnel qualifié .....	42
5.3.1 Substitution de l'huile .....	43
5.3.2 Entretien du filtre à air .....	43
5.3.3 Entretien de la bougie .....	43
5.3.4 Régulation de la tension .....	44
<b>6.0 Inactivité et démontage</b> .....	44
6.1 Démontage .....	44
<b>7.0 Extincteurs</b> .....	44
<b>8.0 Données techniques</b> .....	45
8.1 Caractéristiques techniques .....	45
8.2 Schémas électriques .....	55÷71

© WTA srl -1997

Tous les droits sont réservés

Imprimé en Italie

Réalisé par: VEGA - Forlì

Aucune partie du présent livret peut être reproduite, copiée ou transmise à tiers par tous moyens sans préalable autorisation écrite de la s.té WTA srl.

Les figures, descriptions, références et données techniques du présent livret sont uniquement à titre informatif et non-contractuelles.

Afin d'améliorer constamment la qualité et la sécurité de ses produits, la s.té WTA srl se réserve le droit d'apporter toute modification sans aucun préavis et sans s'engager à mettre à jour le présent livret chaque fois.

## 1.0 IDENTIFICATION

La plaquette d'identification **CE** de la machine est fixée à l'extérieur de la caisse en tôle (voir fig. 1).

### 1.1 MAISON DE CONSTRUCTION

WTA srl  
Via Virgilio, 3  
47100 FORLI' - ITALIE  
P. IVA 00718330400

### 1.2 DEFINITIONS

Le présent livret adopte trois "symboles graphiques de sécurité" pour souligner des niveaux de danger différents ou des informations particulières.



#### DANGER

Attire l'attention sur des situations potentiellement dangereuses qui peuvent causer des dommages personnels.



#### ATTENTION

Attire l'attention sur des situations potentiellement dangereuses qui peuvent causer des dommages personnels ou des dégâts matériels.



#### IMPORTANT

Attire l'attention sur des situations potentiellement dangereuses qui peuvent causer un mauvais fonctionnement de la machine ou des dégâts matériels.

## 1.3 TRANSPORT - MANUTENTION - STOCKAGE

### 1.3.1 CONDITIONS DE STOCKAGE

Le générateur est protégé contre les chocs par un emballage de carton et polystyrène avec une base d'appui en bois. Le générateur doit être abrité en position horizontale dans un lieu sec et bien ventilé.

### 1.3.2 POIDS

Poids brut complet d'emballage:

Mod. 1000 .....	Kg	50
Mod. 2500 .....	Kg	62
Mod. 3000 .....	Kg	71
Mod. 4000 .....	Kg	114
Mod. 5500 .....	Kg	140

## 1.3.3 ENCOMBREMENT

Voir fig. 2, 3, 4 :

		Modèle				
		1000	2500	3000	4000	5500
INSTALLATION TYPE A	A mm	470	530	570	660	700
	B mm	535	605	650	740	--
	C mm	565	640	680	770	770
	D mm	320	385	385	475	520
	E mm	315	290	290	355	510
	F mm	260	295	295	310	--
	G mm	27	30	30	62	--
	H mm	--	360	360	--	--
INSTALLATION TYPE B	I mm	65	87	113	78	--
	L mm	65	96	97	265	--
	M mm	225	222	230	130	--
	N mm	36	28	25	17	--
	O mm	535	605	650	740	735
	P mm	27	30	30	62	55
	Q mm	260	295	295	310	370
	DIM. OUV.	X mm	590	650	690	780
Y mm		385	430	435	540	530
Z mm		335	305	305	380	530
Aire prises d'air						
	cm <sup>2</sup>	220	220	220	260	--

### 1.3.4 MANUTENTION

Le générateur complet d'emballage peut être déplacé par les moyens de levage et de transport habituels.

Les caisses sont pourvues d'entretoises pour l'emploi d'élévateurs à fourches manuels.



#### DANGER

Pendant le levage et le transport, observer les normes de sécurité et de prévention des accidents de travail et utiliser des machines ayant une capacité maximale supérieure à la charge à lever.

## 2.0 INSTALLATION

### 2.1 PERSONNEL AUTORISE

Le générateur doit être installé sur le véhicule (camping-car, motorhome ou véhicule spécial) exclusivement par des ateliers ou des techniciens qualifiés et autorisés par la société W.T.A.

Si l'installation est effectuée par du personnel ou des ateliers non-autorisés, la W.T.A. décline toute responsabilité en cas de mal fonctionnement ou de faute de sécurité aux termes du D.M. 89/392/CEE.



## DANGER

Les instructions données dans les paragraphes 2.2 - 2.3 - 2.4 sont adressées uniquement à des techniciens spécialisés.

## 2.2 INSTRUCTIONS DE MONTAGE DU GENERATEUR

Les générateurs mod. 1000-2500-3000-4000 sont livrés complets de brides de fixation, d'antivibrants et de filtre à essence à placer le long du tuyau d'alimentation au générateur. Les brides assurent un montage en suspension de "TYPE A" (voir fig. 3) ou traditionnel de "TYPE B" (voir fig. 4). Cela est possible grâce à la structure portante de la caisse externe.

Le générateur mod. 5500 est livré de série complet de brides de tenue pour la garniture externe, brides de fixation du groupe, antivibrants, silencieux (pos. 29 fig. 16) à installer sur le tuyau d'échappement AG125 livré sur demande (pos. 34 fig. 16) et filtre à essence monté de série à l'intérieur de la caisse (pos. 33 fig. 15). Les brides (pos. 31 fig. 16) qui fixent la garniture (pos. 35 fig. 16) permettent d'installer le générateur complet de garniture dans le compartiment prévu et de fermer parfaitement le côté du véhicule. Le tuyau d'échappement peut être orienté selon nécessité comme montré sur la fig. 16 en tournant la curve à l'intérieur de la machine vers le haut ou vers le bas. On peut aussi démonter cette curve et laisser entrer le tuyau d'échappement directement dans la caisse le long du côté gauche. Le plan d'appui préparé devra tolérer le poids du générateur ainsi que les vibrations transmises par le mouvement du véhicule (montage de "TYPE B").

Le montage de "TYPE A" offre les avantages suivants: encombrement réduit, installation rapide, facile accès pour les opérations d'entretien ordinaire et extraordinaire.

S'assurer qu'il y a un espace suffisant autour du capot du générateur pour le passage de l'air de refroidissement. Laisser un espace libre de 20 mm au moins entre le capot susdit et les parties environnantes.

Si l'aspiration du générateur est située derrière l'une des roues du véhicule, il faut la protéger pour éviter que le pneu laisse entrer de l'eau dans le générateur en cas de pluie.

Pour le montage de "TYPE A" (installation externe), utiliser les deux supports de tôle livrés avec le groupe qui assurent une fixation solide.


Si l'on préfère adopter le montage de "TYPE B" (installation interne), prévoir un espace étanche (fig. 2) vers l'intérieur du véhicule (pour les dimensions minimales voir par. 1.3.3) avec trous de décharge et prises d'air sur la base et sur la porte. Utiliser le raccord de décharge (fig. 4) livré sur demande, à fixer directement sur le capot du générateur par des vis ou des rivets. Pour éviter toute récirculation de gaz de décharge dans l'espace étanche, appliquer une garniture ignifuge autour du raccord de décharge.

## 2.3 BRANCHEMENT


En cas de 230V, utiliser un câble standard (pour la section voir tableau 1). Insérer le câble dans la caisse au moyen du guide-câble (pos.30 fig. 7 et 9) et le brancher aux bornes (pos. 17/18 fig. 6 et 14). Brancher le câble de terre à la pos.15.

Installer sur l'équipement électrique du véhicule un relais ou un commutateur (par ex., accessoire AG102/AG113) pour éviter tout dommage en cas de branchement du générateur au réseau électrique (le réseau a toujours priorité).

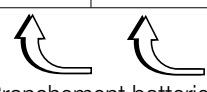
Mod.	Sect. mm <sup>2</sup> 230 V	Sect. mm <sup>2</sup> 12 V	6 m	> 6 m
1000	1,5	6	10	16
2500	2,5	2,5	10	16
3000	2,5	2,5	10	16
4000	4	2,5	10	16
5500	4	2,5	16	25



Câbles de puissance



Chargeur de batteries



Branchement batterie

**TAB. 1**

### 2.3.1 BRANCHEMENT DU CHARGEUR DE BATTERIES

Brancher le câble (pour la section voir tableau 1) à la borne (pos.16 fig. 6 et 14) et au pôle positif de la batterie à charger. On recommande d'utiliser le régulateur de tension AG 111 ou tout autre sectionneur pour arrêter le chargement de la batterie.

(Voir schémas électriques, pages 55 ÷ 71).

### 2.3.2 BRANCHEMENT DE LA BATTERIE

Pour démarrer le générateur, connecter un câble ignifuge standard ayant une section minimale selon le tableau 1 avant au pôle positif de la batterie du véhicule, et ensuite à la pos.12 fig. 6 et 14.

Le câble de terre doit avoir la même section et être branché à la pos.13 et au châssis du véhicule. Il faut s'assurer que le contact soit correct et enlever toute rouille ou peinture avant de protéger la connexion avec de la graisse.

### 2.3.3 CONNEXION TABLEAU DE BORD A DISTANCE

Choisir la position désirée à l'intérieur du véhicule et utiliser la rallonge AG 103 pour connecter le tableau de bord au générateur au moyen du connecteur pos.14 fig. 6 et 14.

## 2.4 INSTALLATION DU RESERVOIR

L'emplacement du réservoir doit être tel à réduire au minimum la longueur du tuyau à essence. Il faut éviter aussi tous étranglements, bombements ou écrasements du tuyau. On recommande d'installer le réservoir à la même hauteur ou max. 30 cm au-dessous du générateur. Ne pas placer le réservoir près de sources de chaleur et le protéger contre

toutes infiltrations.

Monter les raccords avec LOCTITE 577 pour éviter des fuites de carburant.

Pour la connexion réservoir-générateur, utiliser un tuyau 6 x 13 en caoutchouc pour essence sans plomb du même type utilisé pour le groupe. Pour la rallonge, appliquer les colliers serre-tube et le filtre en dotation. Pour la connexion du réservoir à la goulotte, on recommande d'utiliser le tuyau AG 118 (accessoire).



## IMPORTANT

Le modèle 5500 ne nécessite aucun réservoir, car il est installé de série à l'intérieur de la caisse.



## DANGER

- Le groupe doit être utilisé uniquement avec porte fermée.
- Eloigner toute substance inflammable (essence, peintures, solvants, etc.) du générateur.
- S'assurer que les parties chaudes du groupe ne touchent pas de matériaux facilement inflammables.
- Ne pas faire de plein d'essence à moteur démarré, si le réservoir est placé près du générateur.
- Ne jamais toucher le générateur ou les connexions avec les mains mouillées.
- Ne pas remplacer les fusibles ou les thermiques avec d'autres d'ampérage supérieur.
- Tous contrôles des parties électriques sont à effectuer à moteur coupé et uniquement par du personnel qualifié.

## CONNEXION DU BALLON GAZ GPL



## ATTENTION

Pour le groupe alimenté à GPL, le gaz doit être prélevé de la partie supérieure du ballon, placé verticalement, après le robinet et avant le régulateur du ballon même, car l'alimentation doit avoir lieu à l'état gazeux et à haute pression.

(Pression minimale conseillée: 0,7-0,9 bar)

Le générateur est produit selon les normes de sécurité indiquées sur la déclaration de conformité.

## 3.3 NIVEAUX DE BRUIT

Le générateur a été soumis à un essai d'émission acoustique près du laboratoire qualifié ISTDIL, qui a effectué toutes les preuves et délivré le certificat CEE No.1-225/92 avec les résultats suivants:

Mesure: DIRECTIVE CEE 84/536

NIVEAU DE PUISSANCE ACOUSTIQUE:

Mod. 1000 .....	LwA	81
Mod. 2500 .....	LwA	85
Mod. 3000 .....	LwA	85
Mod. 4000 .....	LwA	87
Mod. 4000 .....	LwA	87
Mod. 5500 .....	LwA	87

## 3.0 INSTRUCTIONS ET FONCTIONNEMENT



## IMPORTANT

La société décline toutes responsabilités en cas de dommages personnels ou de dégâts matériels dus à un mauvais fonctionnement du générateur.

### 3.1 DESCRIPTION DU GENERATEUR ET FONCTIONNEMENT

Le générateur comprend un moteur endothermique à essence branché à un alternateur qui produit du courant électrique alternatif et continu.

Le groupe est monté à l'intérieur d'une caisse en tôle d'acier estampé, isolée et insonorisée par des matériaux insonorisants.

Le moteur endothermique est alimenté à carburant au moyen d'une pompe installée de série sur le générateur.

### 3.2 PRECAUTIONS GENERALES

Le groupe est installé dans une caisse parfaitement fermée. Donc, il n'y a aucun risque de contact avec des parties mobiles, chaudes ou des conducteurs sous tension.

La porte est pourvue d'une ouverture avec serrure à clé. Ne jamais laisser la clé à la portée d'enfants ou de personnes non-autorisées.

## 4.0 EMPLOI DU GENERATEUR

### 4.1 DEMARRAGE DU GENERATEUR

Normalement le générateur est démarré par la batterie à 12V du véhicule.

Avant de démarrer le moteur, mettre l'interrupteur rouge (pos.27 fig. 5) sur la position "I".

Pour un démarrage à froid, appuyer et gardé appuyé sur le bouton-poussoir vert de démarrage (pos.25 fig. 5) ainsi que sur le bouton-poussoir blanc "air" (pos.26 fig. 5) pour 5 secondes max.

Pour un démarrage à froid du générateur à GPL, appuyer sur le bouton-poussoir vert (pos.25 fig. 5) et, à des intervalles de 3 secondes, sur le poussoir blanc (pos.26 fig. 5) pour 1 seconde env. Lorsque le moteur démarre, dégager les deux poussoirs.

Si le moteur ne démarre pas, attendre quelques instants et répéter l'opération.



### ATTENTION

*Ne jamais tenter plus de 5 fois consécutivement pour ne pas endommager le démarreur.*

Pour le démarrage à chaud ou pendant l'été, alors que la température externe est très élevée, appuyer uniquement sur le bouton-poussoir vert de "démarrage" (pos.25 fig. 5). En cas d'urgence, démarrer le générateur manuellement au moyen de la poignée (pos.4 fig. 8). Si le moteur est froid, agir aussi sur la tige de contrôle de l'aimant (pos.36 fig. 8) jusqu'à placer le levier sur la position de fermeture. Le fonctionnement correct est signalé par le voyant vert (pos.23 fig. 5).

### 4.2 ARRÊT DU GENERATEUR

En position "0" appuyer sur l'interrupteur rouge "STOP" (pos.27 fig. 5). Pour les modèles 2500-3000-4000-5500, on peut utiliser aussi l'interrupteur de sécurité (pos.7 fig. 6 et 14).

### 4.3 DANGERS RESIDUELS



### DANGER

*Le générateur est pourvu d'un moteur à explosion, donc le carburant utilisé est hautement inflammable.*

*Le gaz de décharge convoyé sous le capot du générateur atteint inévitablement une température élevée, même si mélangé à l'air de refroidissement.*

*Pour cette raison, on recommande de ne pas toucher les parties de la caisse près du tuyau d'échappement et de ne jamais introduire les mains ou d'autres objets dans le capot.*

## 4.4 EMPLOI CONTRE-INDIQUE



### DANGER

*Le générateur doit être installé uniquement par du personnel qualifié et autorisé, selon les instructions de la Maison de Construction.*

*Le générateur est à employer uniquement pour la production de courant électrique sur des véhicules pourvus d'équipement électrique conforme aux normes et selon la puissance débitée par le générateur.*

### 4.5 RECOMMANDATIONS UTILES

Pour utiliser au mieux le groupe, il faut considérer toujours que même des surcharges limitées, si prolongées, peuvent faire déclencher les thermiques de protection pos. **10 et 11** montrés sur les fig. **6 et 14**.

Au cours du rodage, on recommande de ne pas soumettre le moteur à une charge supérieure à 70% de sa charge nominale, au moins dans les premières 50 heures de fonctionnement.

### 4.6 INTERVENTIONS EN CAS DE PANNES

On indique ci-dessous les inconvénients que Vous pouvez rencontrer au cours du fonctionnement, ainsi que leurs causes et possibles remèdes.

En cas d'inconvénients différents, il vaut mieux s'adresser à un centre d'assistance autorisé ou spécialisé.

#### 1 Même en appuyant sur le bouton-poussoir vert "DEMARRAGE" (pos.25 fig. 5) du tableau de bord, le générateur ne marche pas.

Causes et Remèdes:

- 1.1 Contrôler que l'interrupteur rouge (pos.27 fig. 5) soit sur la pos. "I".
- 1.2 Câbles électriques débranchés.  
(Laisser contrôler par du personnel qualifié).
- 1.3 Démarreur non alimenté.  
(Laisser contrôler par du personnel qualifié).
- 1.4 Câble de terre du générateur débranché.  
(Laisser contrôler par du personnel qualifié).

#### 2 Le démarreur marche, mais le générateur ne démarre pas.

Causes et Remèdes:

- 2.1 Manque d'essence: contrôler.
- 2.2 Manque d'huile dans le moteur.  
Vérifier si, au cours du démarrage, le voyant rouge (pos.6 fig. 5) sur le tableau de bord clignote.  
Contrôler le niveau et remplir à ras bord (voir section "entretien").
- 2.3 Interrupteur de sécurité (pos.7 fig. 6 et 14) sur "0".  
Contrôler et mettre l'interrupteur sur "I".
- 2.4 Contrôler que le chapeau de la bougie du moteur soit inséré correctement.
- 2.5 Pas de courant à la bougie.  
(Laisser contrôler par du personnel qualifié).

2.6 Pas de carburant au carburateur.  
(Laisser contrôler par du personnel qualifié).

### 3 Le générateur tend à s'arrêter.

Causes et Remèdes:

3.1 Pas d'essence dans le réservoir: faire le plein.

3.2 Niveau de l'huile insuffisant.

Vérifier et remplir à ras bord.

(Voir section "entretien").

3.3 Filtre à air sale.

(Laisser contrôler par du personnel qualifié).

### 4 Le générateur ne produit pas de courant

Causes et Remèdes:

4.1 Protection thermique déclenchée.

Enclencher de nouveau en appuyant sur les interrupteurs (pos.10 fig. 6 et 14) en cas de 230V C.A., (pos.11 fig. 6 et 14) en cas de 12V C.C.

4.2 Condensateur (pos.19 fig. 8) endommagé.

(Laisser contrôler par du personnel qualifié).

4.3 Redresseur (pos.21 fig. 8) endommagé.

Dans ce cas, seul le courant continu à 12V et le LED vert sur le tableau de bord ne fonctionnent pas.

(Laisser contrôler par du personnel qualifié).

4.4 Diodes rotor endommagés.

(Laisser contrôler par du personnel qualifié).

4.5 Fréquence trop basse.

(Laisser contrôler par du personnel qualifié).

### 5 Le courant produit sans charge oscille.

Causes et Remèdes:

5.1 Trop d'huile dans le moteur: contrôler.

5.2 Carburant défectueux.

Laisser nettoyer le carburateur par du personnel qualifié.

## 5.0 OPERATIONS D'ENTRETIEN



### IMPORTANT

Utiliser uniquement des pièces de rechange originales. L'utilisation des pièces de qualité inférieure peuvent causer des dégâts matériels.

Le contrôle périodique et les réglages sont d'importance basilaire pour garder un haut standard de fonctionnement. De plus, un entretien soigneux et régulier rallonge la vie du générateur.



### DANGER

Avant d'effectuer tous contrôles ou interventions d'entretien sur le générateur, mettre l'interrupteur de sécurité (pos. 7 fig. 6 et 14) sur "0" pour éviter tous démarrages accidentels du groupe.

Pour le mod. 1000, qui est dépourvu d'interrupteur de sécurité, il faut déconnecter le chapeau de la bougie (pos. 1 fig. 8).

## 5.1 NATURE ET INTERVALLES D'ENTRETIEN

INTERVALLE D'ENTRETIEN PERIODIQUE à effectuer dans le mois ou après les heures de fonctionnement prévues.		Après tout emploi	Premier mois ou 20 heures	Tous les 3 mois ou 50 heures	Tous les 6 mois ou 100 heures	Tous les ans ou 300 heures
Huile moteur	Contrôler	▲				
	Changer		▲(2)		▲(2)	
Filtre à air	Nettoyer			(1)▲(2)		
Bougie	Contrôler - Nettoyer				▲(2)	
Régulation soupapes	Contrôler - régler					▲(2)
Réservoir et filtre à essence	Nettoyer					▲(2)
Tours ou fréquence	Régler		▲(2)			▲(2)
Points de suspensions antivibration	Contrôler					▲(2)
Tuyaux essence	Contrôler (remplacer, si nécessaire)	Tous les 2 ans (2)				

NOTE (1): Nettoyer plus fréquemment en cas d'emploi dans des zones poussiéreuses.  
(2): Opérations à effectuer par du personnel spécialisé seulement.

## 5.2 OPERATIONS D'ENTRETIEN QUI NE DEMANDENT PAS DE PERSONNEL QUALIFIE

Pour ces contrôles, ouvrir la porte du générateur. On recommande de prendre les précautions suivantes:

1) Le générateur doit être arrêté et toutes ses parties froides.

2) Faire refroidir le groupe.

3) Mettre l'interrupteur de sécurité sur "0".

N.B. Après le contrôle, se rappeler de mettre l'interrupteur sur "1".

## CONTRÔLE DU NIVEAU DE L'HUILE

1) Enlever le bouchon de remplissage huile (pos.9 fig. 8) et nettoyer la jauge.

2) Re-introduire la jauge dans le trou.

3) Extraire la jauge et contrôler que le niveau de l'huile soit compris entre les niveaux de min. et max.

Dans le cas contraire, remplir à ras bord avec l'huile recommandée.

4) Serrer le bouchon.



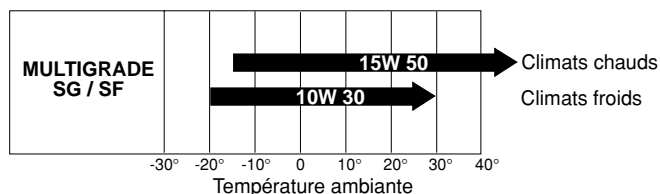
### IMPORTANT

Effectuer toutes les opérations de contrôle avec générateur en position horizontale.

## 5.3 OPERATIONS D'ENTRETIEN QUI DEMANDENT DU PERSONNEL QUALIFIE

Quelques opérations d'entretien nécessitent l'extraction du groupe. Dans ce but, on a prévu une glissière (pos.28 fig. 7 et 15) à utiliser après le desserrage des vis.

## 5.3.1 SUBSTITUTION DE L'HUILE



Utiliser de l'huile détergente pour moteurs à quatre temps, classe API SG ou SF (indication sur le bidon de l'huile) avec une viscosité SAE adéquate au climat d'exercice (voir tableau).

Pour simplifier la décharge de l'huile, on recommande de démarrer le groupe pour 3÷5 minutes env. L'huile sera plus fluide et on pourra atteindre une vidange rapide et complète au moyen du tuyau de vidange (pos.2 fig. 8 et 15) après avoir enlevé le bouchon (pos.8 fig. 8 et 15).

Remplir au moyen du bouchon (pos.9 fig. 8) avec de l'huile du type conseillé.

La quantité d'huile contenue dans le carter est montrée sur le tableau 2.

Mod.	Quantité litres
1000	0,45
2500	0,6
3000	0,6
4000	1,1
5500	1,1

**TAB. 2**



### DANGER

- L'huile chaude peut causer des brûlures.
- Si le moteur marche avec un niveau d'huile insuffisant il peut s'endommager sérieusement.
- Contrôler le niveau de l'huile avec moteur coupé.



### IMPORTANT

Les huiles épuisées ne doivent pas être renversées au sol, mais livrées à des sociétés spécialisées pour l'élimination et/ou le recyclage aux termes des lois locales en vigueur.

## 5.3.2 ENTRETIEN DU FILTRE A AIR



### IMPORTANT

Un filtre à air sale réduit le flux d'air au carburateur. Pour éviter tous malfonctionnements du carburateur, contrôler le filtre à des intervalles réguliers. Contrôler plus fréquemment si le moteur est utilisé dans des zones poussiéreuses.



### DANGER

Pour le nettoyage de la cartouche du filtre à air, ne jamais utiliser de gaz-oil ou de solvants avec un point d'évaporation réduit: ils pourraient engendrer des flammes ou des explosions.

Ne jamais démarrer le moteur sans le filtre à air. Le moteur se déteriorait rapidement.

1. Contrôler avec soin s'il y a des trous ou des accrocs sur les deux cartouches. Remplacer, en cas de dommages (le mod. 1000 H/HG est pourvu d'un seul élément).
2. Cartouche en éponge: laver la cartouche avec une solution détergente neutre et rincer avec soin. Laisser essuyer complètement, ensuite immerger dans de l'huile moteur propre en essorant la quantité en excès.
3. Cartouche en papier: battre doucement la cartouche sur une surface rigide pour enlever tout excès de saleté, ou bien souffler de l'air comprimé dans le filtre de l'intérieur vers l'extérieur. Ne jamais broser la cartouche; cette opération pourrait pousser la saleté dans les fibres. Remplacer la cartouche en papier, si excèsivement sale.

## 5.3.3 ENTRETIEN DE LA BOUGIE

TYPE DE BOUGIE CONSEILLE:

Mod. 1000            BMR-4A (980073-54744)    NGK  
                               BPMR4A-10 (98073-54941)    NGK

Mod. 2500/3000/4000/5500  
                               BP6ES, BPR6ES                    NGK  
                               W20EP-U, W20EPR-U            ND

Ne jamais utiliser de bougies avec un degré thermique différent.

1. Enlever le chapeau de la bougie (pos. 1 fig. 8) et par la clé enlever la bougie même.
2. Contrôler visuellement la bougie. Remplacer, en cas d'usure évidente ou si l'isolateur est cassé ou ébréché. Si la bougie va être utilisée de nouveau, nettoyer avec une brosse en fer.
3. Mesurer la distance des électrodes par un épaisseurmètre. La distance doit être 0,7-0,8 mm. Corriger, si nécessaire, en pliant l'électrode latéral.
4. Contrôler que l'état de la rondelle de la bougie et serrer manuellement pour éviter de l'insérer de travers.
5. La bougie montée, la serrer par la clé au moment de torsion correct.



### IMPORTANT

Alors que l'on monte une nouvelle bougie, serrer d'un demi-tour après que la bougie a comprimé la rondelle. Si l'on utilise la même bougie, serrer de 1/8-1/4 de tour après qu'elle a comprimé la rondelle.

**ATTENTION**

*La bougie doit être serrée avec soin. Une bougie serrée d'une façon mauvaise peut se surchauffer et endommager le moteur.*

---

**5.3.4 REGULATION DE LA TENSION**

Cette régulation est à effectuer avec moteur chaud sans charge et générateur démarré.

Mesurer la tension du générateur par un tester ou un voltmètre connecté à l'une prise 230V du véhicule ou aux bornes (pos.17-18 fig. 6 et 14) de la plaque à bornes du générateur.

La tension doit être 230÷240 volts.

Dans le cas contraire, il faut rétablir ces valeurs au moyen de la vis de réglage de l'accélérateur (pos.32 fig. 10 et 15).

En tournant dans le sens des aiguilles d'une montre, la tension augmente.

En tournant dans le sens contraire des aiguilles d'une montre, la tension se réduit.

**6.00 INACTIVITE ET INSTRUCTIONS DE DEMONTAGE****6.01 DEMONTAGE**

S'il faut démonter le groupe, s'adressez à un atelier spécialisé.

**7.0 EXTINCTEURS**

En cas d'incendie, ne pas ouvrir absolument le capot du générateur et utiliser des extincteurs de type homologué.

## 8.0 DONNEES TECHNIQUES

### 8.1 CARACTERISTIQUES TECHNIQUES

MOTEUR		1000H	2500H	3000H	4000H	5500H
Type		Monocylindrique 4 tempi soupapes laterales	Monocylindrique à 4 temps, soupapes en tête			
Modèle Honda		G100K2	GX 160	GX 200	GX 270	GX 390
Cylindrée	cm <sup>3</sup>	97	163	196	270	389
Alésage x Déplacement	mm	52x46	68x45	68x54	77x58	88x64
Dépense	gkW/h	300	230	230	230	235
Alimentation		Essence verte				
Système de démarrage		Electronique				
Bougie		NGK / ND	NGK	NGK	NGK	NGK
Capacité carter huile moteur	litres	0,45	0,6	0,6	1,1	1,1
Régulateur des tours		Automatique par masses centrifuges				
ALTERNATEUR		1000H	2500H	3000H	4000H	5500H
Type		Synchrone, uniphasé, autorégulé, auto-excité deux pôles, "brushless"				
Puissance max. de pointe	W	900	2200	2700	3800	5300
Pour usage continu	W	800	2000	2400	3500	4500
Tension/fréquence		230V 50Hz				
Puissance courant continu		12V 25A	12V 10A	12V 10A	12V 10A	12V 10A
Classe isolation rotor	H	H	H	H	H	H
Classe isolation stator	F	F	F	F	F	F
Refroidissement		Aspirateur centrifuge				
GENERATEUR		1000H	2500H	3000H	4000H	5500H
Poids total	Kg	39	50	59	102	132
Encombrement (Long.xLarg.xHaut.)	mm	470x320x315	530x385x290	570x385x290	660x475x355	700x520x510
Démarrage		Electrique/manuel				
Pompe alimentation		A dépression				
Télécommande		Tableau séparé complet de: poussoir démarrage poussoir starter interrupteur arrêt voyant manque essence voyant fonctionnement voyant arrêt manque huile compteur				

## ÍNDICE GENERAL

GB	.....	Pág.	1÷9
I	.....	Pág.	10÷18
D	.....	Pág.	19÷27
NL	.....	Pág.	28÷36
F	.....	Pág.	37÷45
SP	.....	Pág.	46÷54

## ÍNDICE

Descripción	Página
1.0 Identificación .....	47
1.1 Fabricante .....	47
1.2 Definiciones .....	47
1.3 Transporte - Manutención - Almacenaje .....	47
1.3.1 Condiciones de almacenaje .....	47
1.3.2 Peso .....	47
1.3.3 Dimensiones externas .....	47
1.3.4 Manutención .....	47
<b>2.0 Instalación</b> .....	47
2.1 Personal autorizado .....	47
2.2 Instrucciones de montaje del generador .....	48
2.3 Conexión eléctrica .....	48
2.3.1 Conexión cargador de baterías .....	48
2.3.2 Conexión batería .....	48
2.3.3 Conexión del mando a distancia .....	48
2.4 Déposito de combustible .....	49
<b>3.0 Instrucciones y funcionamiento</b> .....	49
3.1 Descripción y funcionamiento del generador ....	49
3.2 Seguridad máquinas .....	49
3.3 Indicaciones sobre el ruido .....	49
<b>4.0 Utilización del generador</b> .....	50
4.1 Arranque del generador .....	50
4.2 Parada del generador .....	50
4.3 Peligros inevitables .....	50
4.4 Utilización impropia .....	50
4.5 Consejos útiles .....	50
4.6 Investigación y corrección de averías .....	50
<b>5.0 Mantenimiento</b> .....	51
5.1 Naturalez e intervalos de los controles .....	51
5.2 Intervenciones de mantenimiento que no necesitan personal cualificado .....	51
5.3 Intervenciones de mantenimiento que necesitan personal cualificado .....	52
5.3.1 Sustitución del aceite .....	52
5.3.2 Mantenimiento del filtro de aire .....	52
5.3.3 Mantenimiento de la bujía .....	52
5.3.4 Regulación de la tensión .....	53
<b>6.0 Inactividad y desmontaje</b> .....	53
6.1 Desmontaje .....	53
<b>7.0 Medidas anti-incendios</b> .....	53
<b>8.0 Datos técnicos</b> .....	54
8.1 Características técnicas .....	54
8.2 Esquemas eléctricos .....	55÷71

© WTA srl -1998

Todos los derechos reservados  
Imprimido en Italia.

Realizado por: VEGA - Forlì

Ninguna parte de este manual puede ser reproducida, copiada o transmitida a terceros en cualquier forma o a través de cualquier medio, sin previa autorización escrita de WTA srl.

Las figuras, descripciones, referencias y los datos técnicos de este manual son indicativos y no vinculantes.

WTA srl se reserva el derecho de aportar en cualquier momento y sin preaviso, modificaciones y mejoras a sus productos con la intención de elevar constantemente la calidad y la seguridad, es por esto que también esta publicación puede ser sometida a modificaciones.

## 1.0 IDENTIFICACIÓN

La tarjeta de identificación de la máquina **CE** está fijada al exterior de la carcasa (véase fig. 1).

### 1.1 FABRICANTE

WTA srl  
Via Virgilio, 3  
47100 FORLI' - ITALY  
P. IVA 00718330400

### 1.2 DEFINICIONES

Este manual utiliza tres "símbolos gráficos de seguridad" que evidencian tanto situaciones peligrosas como informaciones importantes:



#### PELIGRO

Llama la atención sobre situaciones potencialmente peligrosas que pueden causar heridas graves.



#### CUIDADO

Llama la atención sobre situaciones potencialmente peligrosas que pueden causar tanto heridas leves como daños a las cosas.



#### PRUDENCIA

Llama la atención sobre situaciones potencialmente peligrosas que pueden causar daños a o perjudicar el funcionamiento de la máquina.

## 1.3 TRANSPORTE - MANUTENCIÓN - ALMACENAJE

### 1.3.1 CONDICIONES DE ALMACENAJE

El generador es protegido contra los choques por un embalaje de cartón, poliestireno y base de apoyo de madera. Almacene el generador en posición horizontal en un lugar seco, al abrigo y ventilado.

### 1.3.2 PESO

Peso bruto completo de embalaje:

Mod. 1000 .....	Kg	50
Mod. 2500 .....	Kg	62
Mod. 3000 .....	Kg	71
Mod. 4000 .....	Kg	114
Mod. 5500 .....	Kg	140

## 1.3.3 DIMENSIONES EXTERNAS

Véase figuras. 2, 3, 4 :

		Modelo				
		1000	2500	3000	4000	5500
INSTALACIÓN DE TIPO A	A mm	470	530	570	660	700
	B mm	535	605	650	740	--
	C mm	565	640	680	770	770
	D mm	320	385	385	475	520
	E mm	315	290	290	355	510
	F mm	260	295	295	310	--
	G mm	27	30	30	62	--
	H mm	--	360	360	--	--
INSTALACIÓN DE TIPO B	I mm	65	87	113	78	--
	L mm	65	96	97	265	--
	M mm	225	222	230	130	--
	N mm	36	28	25	17	--
	O mm	535	605	650	740	735
	P mm	27	30	30	62	55
	Q mm	260	295	295	310	370
	DIM. HUECO	X mm	590	650	690	780
Y mm		385	430	435	540	530
Z mm		335	305	305	380	530
Area de ventilación						
	cm <sup>2</sup>	220	220	220	260	--

### 1.3.4 MANUTENCIÓN

El generador completo de embalaje puede ser transportado por los medios de levantamiento y transporte normales. Las cajas son provistas de espaciadores que permiten utilizar elevadores de horquillas manuales.



#### PELIGRO

Durante el levantamiento y el transporte, observe las normas de prevención de accidentes y de seguridad y utilice máquinas con capacidad máxima superior a la carga a levantar.

## 2.0 INSTALACIÓN

### 2.1 PERSONAL AUTORIZADOS

La instalación del generador sobre el vehículo (caravanas, motorhomes o vehículos especiales) debe ser efectuada sólo y exclusivamente por talleres o personal cualificados y autorizados por W.T.A.

Si la instalación es efectuada por personal o talleres no autorizados, W.T.A. declina cualquier responsabilidad por daños a la máquina y a las personas según la D.M. 89/392/CEE.



## PELIGRO

Las instrucciones de las secciones 2.2 - 2.3 - 2.4 son reservadas sólo a instaladores especializados.

## 2.2 MONTAJE DEL GENERADOR

Los generadores modelos 1000 - 2500 - 3000 - 4000 son entregados con soportes de montaje, antivibratorios y filtro de gasolina con su correspondiente tubo de alimentación de carburante al generador. Los soportes permiten tanto un montaje en suspensión de "TIPO A" (véase fig. 3) como un montaje tradicional de "TIPO B" (véase fig. 4).

Eso es posible gracias a la estructura portante al interior de la caja externa.

El generador modelo 5500 incorpora de serie bisagras de fijación de la junta de sellado, suplementos antivibratorios, silenciador (pos. 29 fig. 16) para montar en línea con el tubo de escape entregado como accesorio AG 125 (pos. 34 fig. 16) y filtro de gasolina montado en serie en el interior de la carcasa (pos. 33 fig. 15). Las bisagras (pos. 31 fig. 16) para la fijación de la junta de sellado (pos. 35 fig. 16) permiten el montaje del generador completo de junta, tapando el vano del hueco predispuesto y asegurando una hermeticidad perfecta. El tubo de escape puede ser dirigido tanto como indica la fig. 16 hacia arriba o hacia abajo o de frente. La base de apoyo dispuesta deberá soportar el peso del generador y las posibles sollicitaciones de movimiento del vehículo (montaje de "TIPO B").

El montaje de "TIPO A" ofrece las ventajas siguientes: dimensiones máximas extremas reducidas, rápida instalación, fácil acceso para las intervenciones de mantenimiento ordinario y extraordinario.

Compruebe que hay bastante espacio alrededor de la capota del generador para el pasaje del aire de enfriamiento; además, deje un espacio libre de 20 mm al menos entre la capota y las partes alrededor.

Si la toma de aire de succión del generador es colocada detrás de una rueda del vehículo, es de importancia basililar evitar que el neumático permita la entrada de agua al interior del generador en caso de lluvia.

Para el montaje de "TIPO A", utilice los dos soportes de chapa que garantizan una fijación segura del grupo.

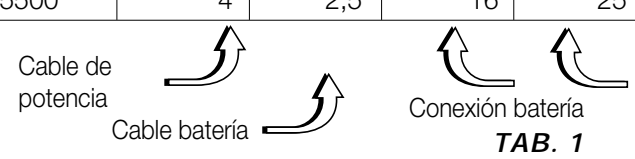
Si se decide adoptar el montaje de "TIPO B" (instalación interna), prepare un área (fig. 2) hacia el interior del vehículo de dimensiones mínimas como indica el punto 1.3.3, con agujeros de evacuación y tomas de aire sobre el plano y la portezuela. Además, utilice el racor de descarga (fig. 4), entregado como accesorio, que debe ser fijado directamente sobre la capota del generador por medio de tornillos o remaches. Para evitar la recirculación de los gases de evacuación, aplique una junta de sellado ignífuga alrededor del racor de descarga.

## 2.3 CONEXIÓN ELÉCTRICA

Para 230V utilice un cable de sección indicado en Tab. 1. Introduzca en la caja a través del pasacables (pos. 30 fig. 7 y 9) y conectelo a los bornes (pos. 17 y 18 - fig. 6 y 14). En la pos. 15 fije el cable de tierra.

Instale un relé o conmutador en la instalación eléctrica del vehículo (accesorio AG 102/AG 113) para evitar daños al generador en caso de conexión a la red eléctrica cuando está en marcha el grupo. La red eléctrica siempre tiene preferencia.

Mod.	Sec. mm <sup>2</sup> 230 V	Sec. mm <sup>2</sup> 12 V	6 m	> 6 m
1000	1,5	6	10	16
2500	2,5	2,5	10	16
3000	2,5	2,5	10	16
4000	4	2,5	10	16
5500	4	2,5	16	25



**TAB. 1**

### 2.3.1 CONEXIÓN CARGADOR DE BATERÍAS

Utilice un cable de sección indicada en Tab. 1 y conectelo tanto al borne (pos. 16, fig. 6 y 14) como al polo positivo de la batería que se desea cargar.

Introduzca en el cable el regulador de tensión AG 111 o un interruptor automático para parar la carga de la batería. (Véase esquemas eléctrico, pág. 55÷71).

### 2.3.2 CONEXIÓN BATERÍA

Para arrancar el generador, conecte al polo positivo de la batería un cable envainado de sección indicada en Tab. 1, y conectelo en pos. 12 fig. 6 y 14.

El cable de tierra debe presentar la misma sección y ser conectado en pos. 13 y al chasis del vehículo. Asegurese que el contacto esté correcto. Si necesario, limpie cualquier mancha de barniz u oxidación de la superficie y proteja con grasa.

### 2.3.3 CONEXIÓN DEL TABLERO MANDO A DISTANCIA

Coloque el tablero de mando al interior del vehículo en la posición deseada y utilice la alargadera AG 103 para la conexión al generador (pos. 14 fig. 6 y 14).

## 2.4 DEPÓSITO DE COMBUSTIBLE

La colocación del depósito de combustible debe permitir reducir al mínimo el largo del tubo de carburante. Además, es necesario evitar cualquier estrangulación, curvatura o aplastamiento de la sección del tubo. Instale el depósito al mismo nivel del generador o 30 cm bajo del mismo. No coloque nunca el depósito cerca de fuentes de calor y abrigalo contra posibles infiltraciones de agua.

Monte los racores con LOCTITE 577 para evitar cualquier goteo del depósito.

Para la conexión depósito-generador utilice un tubo de goma 6x13 envainado, adecuado para gasolina sin plomo, del mismo tipo utilizado en el grupo. Para la extensión, utilice las abrazaderas y el filtro entregados. Se aconseja el empleo del tubo AG 118 (accesorio) para la conexión del depósito a la boca de llenado.



### PRUDENCIA

*El modelo 5500 no necesita depósito exterior. Lo incorpora el generador en su interior.*

## CONEXIÓN DEL DEPÓSITO DE GAS



### CUIDADO

*El generador GPL saca el gas del depósito vertical y de la parte superior antes del regulador del depósito. De esta manera el gas llega al generador con presión elevada y en estado gaseoso.*

*(Presión mínima: 0.7÷0.9 bar)*

## 3.0 INSTRUCCIONES Y FUNCIONAMIENTO



### PRUDENCIA

*La empresa declina cualquier responsabilidad por daños a personas o a cosas debidos a una utilización impropia del generador.*

## 3.1 DESCRIPCIÓN Y FUNCIONAMIENTO DEL GENERADOR

El generador de corriente está formado por un motor endotérmico de gasolina, conectado a un alternador que produce corriente eléctrica alterna y continua. El grupo está montado al interior de una caja de chapa de acero prensado aislada e insonorizada por medio de materiales fonoatenuantes.

El motor endotérmico es alimentado por un depósito de carburante externo, colocado en una zona segura cerca del grupo.

## 3.2 SEGURIDAD MÁQUINAS

El grupo está colocado dentro la caja perfectamente cerrada y, entonces, no hay riesgos de contacto con partes móviles, temperaturas elevadas o cables en tensión.

Además la portezuela está provista de cerradura de llave que no debe nunca estar al alcance de niños o personas no autorizadas.



### PELIGRO

- *Utilice el generador sólo y exclusivamente con portezuela cerrada.*
- *Aleje cualquier substancia inflamable del generador como, por ejemplo, gasolina, barnizes, solventes, etc.*
- *Compruebe que las partes calientes del grupo no alcancen materiales fácilmente inflamables.*
- *No haga el lleno de gasolina con motor arrancado si el depósito está colocado sobre o cerca del generador.*
- *No toque el generador o las conexiones con manos mojadas.*
- *No sustituya los fusibles o los térmicos con otros de amperaje superior.*
- *Eventuales controles de las partes eléctricas deben ser efectuados con motor parado y sólo por personal autorizado.*

El generador está construido según las normas de seguridad indicadas en la Declaración de Conformidad.

## 3.3 INDICACIONES SOBRE EL RUIDO

La emisión acústica del generador fue ensayada en el laboratorio cualificado ISTEDIL, que ha efectuado todas las pruebas y dejado el certificado CEE No.I-225/92 con los siguientes resultados:

Mediciones DIRECTIVA CEE 84/536

NIVEL DE POTENCIA ACÚSTICA:

Mod. 1000 .....	LwA	81
Mod. 2500 .....	LwA	85
Mod. 3000 .....	LwA	85
Mod. 4000 .....	LwA	87
Mod. 5500 .....	LwA	87

## 4.0 UTILIZACIÓN DEL GENERADOR

### 4.1 ARRANQUE DEL GENERADOR

Normalmente el generador es puesto en marcha por la batería de 12 V del vehículo.

Antes del arranque del motor, gire el interruptor rojo (pos. 27 fig. 5) en posición "I".

En caso de puesta en marcha en frío del motor, pulse y mantenga pulsado el botón verde "ARRANQUE" (pos. 25 fig. 5) y el botón blanco "STARTER" (pos. 26 fig. 5) por máx. 5 segundos.

Para la puesta en marcha en frío del motor del generador de gas, pulse el botón verde (pos. 25 fig. 5) y, al mismo tiempo, el botón blanco (pos. 26 fig. 5) por ca. 1 segundo a intervalos de 3 segundos; después la primera chispa de ignición, solte los dos botones.

Si el motor no se pone en marcha, espere unos segundos y repita la operación anteriormente descrita.



### CUIDADO

*No tente nunca más de 5 veces consecutivas: el arrancador podría dañarse.*

Para la puesta en marcha con motor caliente o durante el verano, cuando la temperatura de ambiente es muy elevada, pulse sólo el botón verde "ARRANQUE" (pos. 25 fig. 5).

Para casos de emergencia se puede poner en marcha el generador manualmente por medio del pomo (pos. 4 fig. 8 y 15) manteniendo el electroimán de choque (pos. 36 fig. 8 y 15) cerrado si el motor está frío.

El funcionamiento correcto es evidenciado por la luz de aviso verde (pos. 23 fig. 5).

### 4.2 PARADA DEL GENERADOR

Pulse el interruptor rojo "STOP" en posición "0" (pos. 27 fig. 5) o utilice el interruptor de seguridad (pos. 7 fig. 6 y 14) para los modelos 2500 - 3000 - 4000 - 5500.

### 4.3 PELIGROS INEVITABLES



### PELIGRO

*El generador está provisto de motor de explosión.*

*Bajo de la capota son transferidos los gases de descarga que, inevitablemente, tienen temperaturas elevadas, también si mezclados con el aire de enfriamiento.*

*No toque nunca las zonas de la capota cerca de la descarga y no introduzca manos u objetos en el tubo.*

## 4.4 UTILIZACIÓN IMPROPIA



### PELIGRO

*La instalación del generador debe ser efectuada sólo y exclusivamente por personal cualificado y autorizado según las instrucciones del Constructor.*

*El generador tiene que ser utilizado sólo y exclusivamente para la producción de corriente eléctrica sobre vehículos provistos de instalación eléctrica conforme a las normas y según la potencia suministrada por el generador.*

### 4.5 CONSEJOS ÚTILES

Para una utilización óptima del grupo electrógeno compruebe que la carga a alimentar no sea mayor que la potencia del grupo. En este caso se disparará el térmico de protección pos. 10 y 11 fig. 6 y 14.

En el período de rodaje es importante no trabajar con carga superior al 70%, al menos durante las primeras 50 horas de funcionamiento.

### 4.6 INVESTIGACIÓN Y CORRECCIÓN DE AVERÍAS

De seguida, se hace una lista de las averías más comunes con relativa causa y posible corrección.

En caso de averías no previstas, póngase en contacto con un centro de asistencia autorizado o especializado.

#### 1 Pulsando el botón verde "ARRANQUE" (pos. 25 fig. 5) sobre el tablero de control, el generador no se pone en marcha.

Causas y Correcciones:

- 1.1 Compruebe que el interruptor rojo (pos. 27 fig. 5) esté en pos. "I".
- 1.2 Cables eléctricos desconectados. (Control por personal cualificado).
- 1.3 Falta de alimentación del arrancador. (Control por personal cualificado).
- 1.4 Cable de tierra del generador desconectado. (Control por personal cualificado).

#### 2 El arrancador gira, pero el generador no se pone en marcha

Causas y Correcciones:

- 2.1 Falta de carburante: control.
- 2.2 Falta de aceite en el motor.  
Compruebe si, durante el arranque, la luz de aviso roja (pos. 6 fig. 5) sobre el tablero de control relampagua.  
Compruebe el nivel y rellene (véase párrafo "mantenimiento").
- 2.3 Interruptor de seguridad (pos. 7 fig. 6 y 14) en posición "0".  
Compruebe y ponga en posición "I".
- 2.4 Compruebe que el niple de la bujía del motor esté colocado correctamente.
- 2.5 No llega corriente a la bujía.

- (Control por personal cualificado).  
 2.6 No llega gasolina al carburador.  
 (Control por personal cualificado).

### 3 El generador intenta pararse

Causas y Correcciones:

- 3.1 Falta de carburante en el depósito: haga el lleno.  
 3.2 Nivel de aceite bajo.  
 Compruebe y restablezca el nivel.  
 (Véase párrafo "mantenimiento").  
 3.3 Filtro aire sucio.  
 (Control por personal cualificado).

### 4 El generador no produce corriente

Causas y Correcciones:

- 4.1 Protección térmica desconectada.  
 Conecte de nuevo pulsando los botones (pos. 10 fig. 6 y 14) para la corriente alterna de 230V; (pos. 11 fig. 6 y 14) para la corriente continua de 12V.  
 4.2 Condensador (pos. 19 fig. 8) dañado.  
 (Control por personal cualificado).  
 4.3 Rectificador (pos. 21 fig. 8) dañado.  
 En este caso, sólo la corriente continua de 12V y el led verde sobre el tablero de control no funcionan.  
 (Control por personal cualificado).  
 4.4 Diodos del rotor dañados  
 (Control por personal cualificado).  
 4.5 Motor bajo de revoluciones.  
 (Control por personal cualificado).

### 5 La corriente producida sin carga oscila

Causas y Correcciones:

- 5.1 Demasiado aceite en el motor: controle.  
 5.2 Carburación defectuosa.  
 Limpieza del carburador por personal cualificado.

## 5.0 MANTENIMIENTO



### PRUDENCIA

*Utilice sólo recambios originales. La utilización de recambios de mala calidad daña el funcionamiento del generador. Un control periódico y regulación es esencial para obtener buenas prestaciones y bajo coste de mantenimiento, alargando la vida del generador.*



### PELIGRO

*Para cualquier control o intervención de mantenimiento sobre el generador, gire el interruptor de seguridad (pos. 7 fig. 6 y 14) en posición "0" para evitar arranques accidentales. El modelo 1000 no dispone de interruptor de seguridad. Es necesario desconectar el niple de la bujía (pos. 1 fig. 8).*

## 5.1 NATURALEZ E INTERVALOS DE LOS CONTROLES

MANTENIMIENTO ORDINARIO Efectuar durante el mes o después de las horas de funcionamiento previstas según lo que ocurre antes.		Cada utilización	Primer mes o 20 horas	Cada 3 meses o 50 horas	Cada 6 meses o 100	Cada año o 300 horas
Aceite motor	Control	▲				
	Sustitución		▲(2)		▲(2)	
Filtro aire	Limpieza			(1)▲(2)		
Bujía	Control - Limpieza				▲(2)	
Regulación válvulas	Control - Regulación					▲(2)
Depósito y filtro carburante	Limpieza					▲(2)
Regulación revoluciones o frecuencia	Regulación		▲(2)			▲(2)
Puntos de suspensión antivibratorios	Control					▲(2)
Tubos carburante	Control (y sustitución si necesario)	Cada 2 años (2)				

NOTA (1): Limpie más frecuentemente si empleado en zonas polvorrientas  
 (2): Estas intervenciones deben ser efectuadas sólo por personal especializado

## 5.2 INTERVENCIONES DE MANTENIMIENTO QUE NO NECESITAN PERSONAL CUALIFICADO

Para estos controles, se debe abrir la portezuela del generador y, por consecuencia, es necesario adoptar las precauciones siguientes:

- 1) El generador debe ser parado y todas las partes frías.
- 2) Haga enfriar el grupo.
- 3) Gire el interruptor de seguridad en posición "0".  
 N.B. Gire en posición "I" después de los controles.

### CONTROL NIVEL ACEITE

- 1) Destornille el tapón de relleno aceite (pos. 9 fig. 8) y limpie la varilla indicadora.
- 2) Introduzca y vuelva a atornillar la varilla.
- 3) Quite la varilla y compruebe que el nivel de aceite esté entre las dos muescas de referencia (mín. - máx.). Al contrario, rellene con aceite aconsejado hasta el nivel.
- 4) Vuelva a atornillar el tapón.



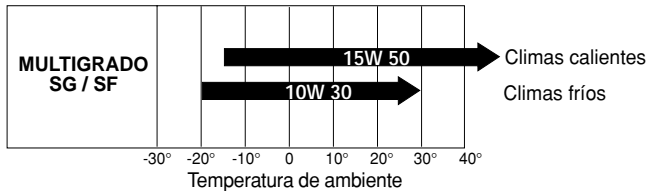
### PRUDENCIA

*Efectúe cualquier operación de control con generador horizontal.*

## 5.3 INTERVENCIONES DE MANTENIMIENTO QUE NECESITAN PERSONAL CUALIFICADO

Unas intervenciones de mantenimiento necesitan sacar el grupo. Esta operación es simplificada por la corredera (pos. 28 fig. 7 y 15) después del aflojamiento del tornillo de fijación.

### 5.3.1 SUSTITUCIÓN ACEITE



Utilice aceite detergente para motores de cuatro tiempos de clase API SG o SF (indicación sobre el bote del aceite) con viscosidad SAE adecuada al clima de ejercicio (véase tabla).

Para una descarga rápida y completa, descargue el aceite con motor caliente durante 3÷5 minutos (pos. 2 fig. 8 y 15), después de haber quitado el tapón de descarga (pos. 8 fig. 8 y 15).

Rellene por medio del tapón de relleno (pos. 9 fig. 8).

La cantidad de aceite contenido en el carter está indicada en la tabla 2.

Mod.	Cantidad litros
1000	0,45
2500	0,6
3000	0,6
4000	1,1
5500	1,1

**TAB. 2**



### PELIGRO

- El aceite caliente puede provocar quemaduras.
- Haciendo girar el motor con bajo nivel de aceite, se puede dañar gravemente.
- Compruebe el nivel de aceite con motor parado.



### PRUDENCIA

El aceite usado es altamente contaminante y no se puede dejar en el ambiente. Conserve el aceite usado en especiales contenedores para la sucesiva eliminación y/o reutilización a través de los específicos centros de recogida y de acuerdo a las leyes vigentes de cada país.

### 5.3.2 MANTENIMIENTO FILTRO AIRE



#### PRUDENCIA

Un filtro de aire sucio (pos. 3 fig. 8, 11 y 15) reduce el flujo de aire hacia el carburador. Controle con regularidad para evitar malfuncionamientos del carburador. Controle más frecuentemente si el motor se emplea en áreas polvorientas.



#### PELIGRO

No utilice nunca gasóleo o solventes con punto de evaporación bajo para limpiar el cartucho del filtro de aire. ¡Peligro de llamas y de explosiones!

No utilice nunca el motor sin filtro del aire, el motor se deterioraría en corto tiempo.

- 1 Compruebe con cuidado los cartuchos y sustitúyalos en caso de brechas o desgarros (el modelo 1000 H/HG tiene sólo un elemento).
- 2 Cartucho de esponja: lave el cartucho con una solución detergente neutra y aclare con cuidado. Deje enjuagar completamente el cartucho y después sumergalo en aceite motor limpio estrujando el aceite en exceso.
- 3 Cartucho de papel: limpie la suciedad en exceso batiendo unas veces el cartucho sobre una superficie rígida o mediante un chorro de aire comprimido directo sobre el filtro desde el interior hacia el exterior. No cepille nunca; esta operación podría empujar la suciedad dentro de las fibras. Sustituya el cartucho de papel si excesivamente sucio.

### 5.3.3 MANTENIMIENTO BUJÍA

BUJÍA ACONSEJADA:

Mod. 1000                    BMR-4A (980073-54744)                    NGK  
     BPMR4A-10 (98073-54941)                    NGK

Mod. 2500/3000/4000/5500  
     BP6ES, BPR6ES    NGK  
     W20EP-U, W20EPR-U    ND

No utilice nunca una bujía con grado térmico diverso.

- 1 Quite el niple de la bujía (pos. 1 fig. 8) y por medio de una llave quite la bujía.
- 2 Controle la bujía. Sustitúyala en caso de desgaste, ruptura o desportillado del aislador. Limpie la bujía con una cepilla de hierro en caso de nuevo empleo.
- 3 Mida la distancia de los electrodos por medio de un calibrador de espesores.  
 La distancia debe ser 0,7÷0,8 mm.  
 Si necesario, regule plegando el electrodo lateral.
- 4 Controle que la arandela de la bujía sea en buen estado y atornille manualmente para evitar deformaciones.
- 5 Después del montaje de la bujía, aprete a la llave de torsión correcta.



## PRUDENCIA

*Cuando se monta una nueva bujía, apriete de media vuelta después que la bujía ha comprimido la arandela. Si se utiliza la misma bujía, apriete de 1/8-1/4 de vuelta después de la compresión de la arandela.*



## CUIDADO

*Apriete la bujía con cuidado. Si la bujía está mal apretada, puede calentarse y causar daños al motor.*

### 5.3.4 REGULACIÓN DE LA TENSION

Efectue esta regulación con motor caliente sin carga y generador en marcha.

Compruebe la tensión del generador por medio de un medidor o de un voltímetro conectado a un enchufe de 230V del vehículo o a los bornes (pos. 17- 18 fig. 6 y 14) del tablero de bornes del generador.

La tensión debe resultar 230÷240 volts.

Si no se consiguen estos valores, restablézcalos por medio del tornillo de regulación del acelerador (pos. 32 fig. 10 y 15).

Girando en sentido horario, la tensión aumenta.

Girando en sentido contrario, la tensión baja.

## 6.00 INACTIVIDAD Y DESMONTAJE

### 6.01 DESMONTAJE

Para el desmontaje del generador, póngase en contacto con talleres especializados.

## 7.0 MEDIDAS ANTI-INCENDIOS

En caso de incendio, no abra nunca la capota del generador y utilice extintores de tipo homologado.

## 8.0 DATOS TÉCNICOS

### 8.1 CARACTERÍSTICAS TÉCNICAS

MOTOR		1000H	2500H	3000H	4000H	5500H
Tipo		Monocilíndrico 4 tiempos válvulas laterales	Monocilíndrico de 4 tiempos con válvulas en la culata			
Modelo	Honda	G100K2	GX 160	GX 200	GX 270	GX 390
Cilindrada	cm <sup>3</sup>	97	163	196	270	389
Alisado x Recorrido	mm	52x46	68x45	68x54	77x58	88x64
Consumo	gkW/h	300	230	230	230	235
Alimentación		gasolina sin plomo				
Sistema de arranque		electrónico				
Bujía		NGK / ND	NGK	NGK	NGK	NGK
Capacidad recolector aceite motor	litros	0,45	0,6	0,6	1,1	1,1
Regulador de frecuencia		automático de masas centrífugas				
ALTERNADOR		1000H	2500H	3000H	4000H	5500H
Tipo		Síncrono, monofásico, autorregulado, autoexcitado, dos polos "brushless"				
Potencia máx. instantánea	W	900	2200	2700	3800	5300
Para utilización continua	W	800	2000	2400	3500	4500
Tensión/frecuencia		230V 50Hz				
Potencia corriente continua		12V 25A	12V 10A	12V 10A	12V 10A	12V 10A
Clase aislamiento rotor	H	H	H	H	H	H
Clase aislamiento estator	F	F	F	F	F	F
Enfriamiento		Ventilador centrífugo				
GENERADOR		1000H	2500H	3000H	4000H	5500H
Peso total	Kg	39	50	59	102	132
Dimensiones máx. extremas (LargoxAnchoxAltura)	mm	470x320x315	530x385x290	570x385x290	660x475x355	700x520x510
Arranque		Eléctrico/manual				
Bomba de alimentación		De vacío				
Telemando		Tablero separado compuesto de: botón de puesta en marcha botón starter interruptor stop luz de aviso falta de gasolina luz de aviso funcionamiento luz de aviso parada falta de aceite contador				

**WIRING DIAGRAMS  
SCHEMI ELETTRICI  
ELEKTROPLÄNE  
STROOMSCHEMA'S  
SCHEMAS ELECTRIQUES  
ESQUEMAS ELÉCTRICOS**



*s.r.l.*

*Via Virgilio 3, 47100 Villanova - Forlì (Italy)*

*Tel. 0543/754213 - Telefax 0543/756631*

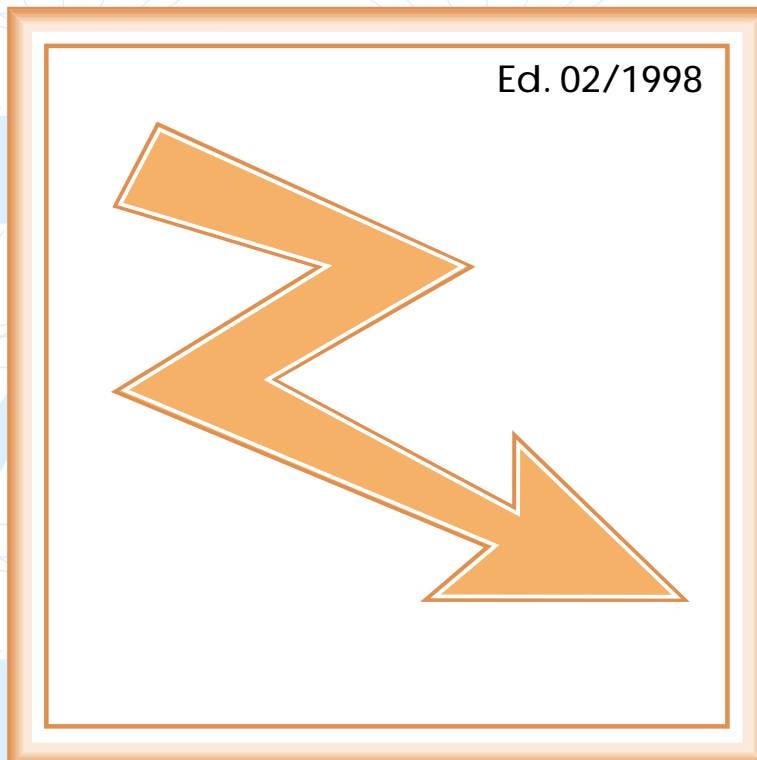
**AN ELECTROLUX COMPANY**



# TRAVELLER

AN ELECTROLUX COMPANY

1000 H/HG  
2500 H/HG  
3000 H/HG  
4000 H/HG  
5500 H/HG



Operating and Maintenance Handbook  
Libretto Istruzioni Uso e Manutenzione  
Bedienungs- und Wartungsanleitung  
Bedienings- en onderhoudshandleiding  
Livret d'Usage et d'Entretien  
Manual de instrucciones de uso y mantenimiento



Read all instructions and advice given in this handbook carefully before use.  
Prima di utilizzare il generatore leggere attentamente le istruzioni e le indicazioni riportate nel seguente manuale.  
Vor dem Gebrauch des Generators diese Bedienungs- und Wartungsanleitung aufmerksam lesen.  
Lees alle aanwijzingen en adviezen in deze handleiding nauwkeurig door voordat u de generator in gebruik neemt  
Avant d'utiliser le générateur, lire attentivement les instructions et les renseignements du présent livret.  
Antes de utilizar el generador, leer con cuidado las instrucciones y las indicaciones del manual.

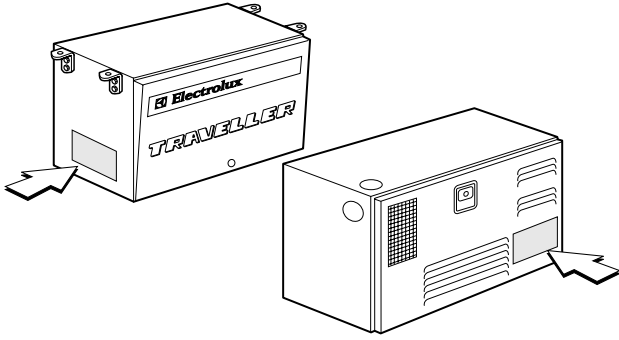


FIG. 1

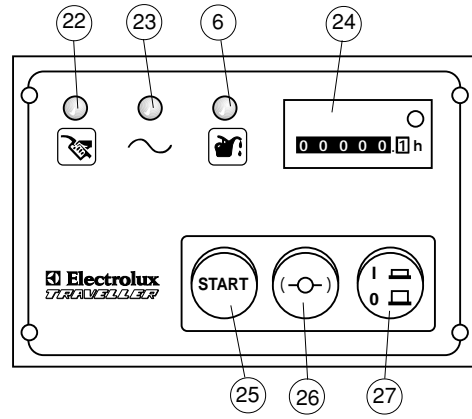


FIG. 5

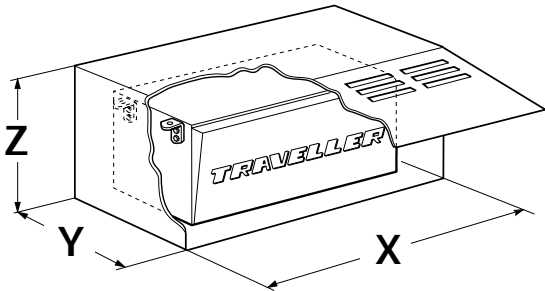


FIG. 2

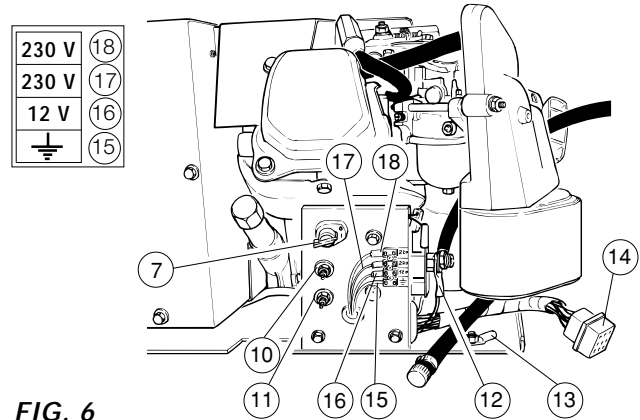


FIG. 6

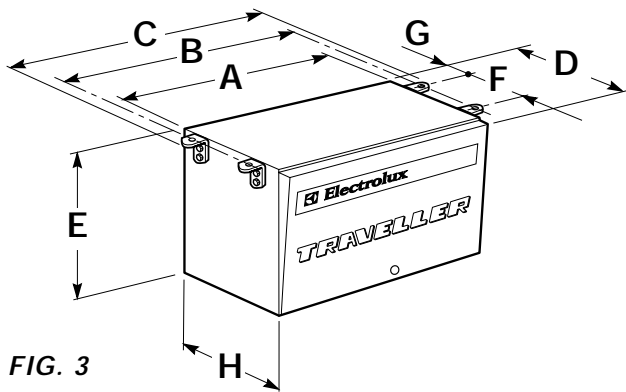


FIG. 3

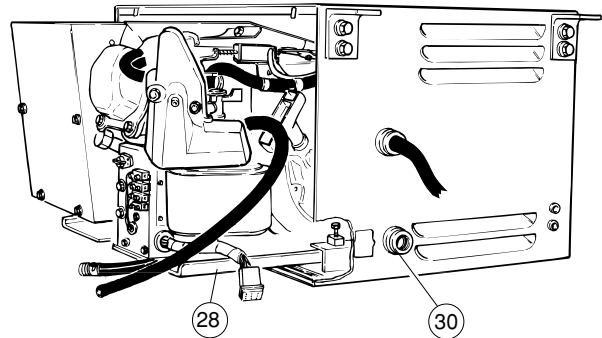


FIG. 7

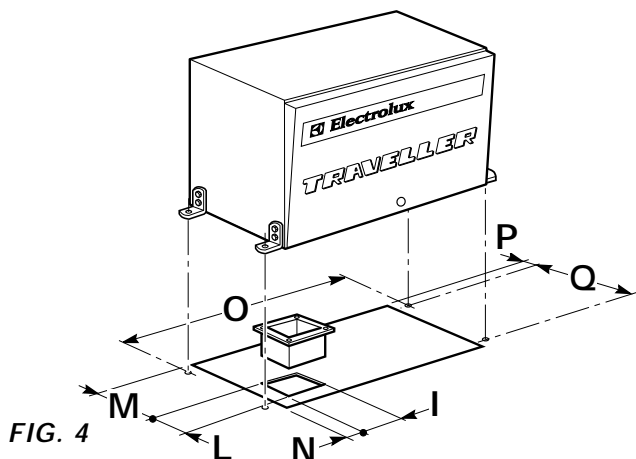


FIG. 4

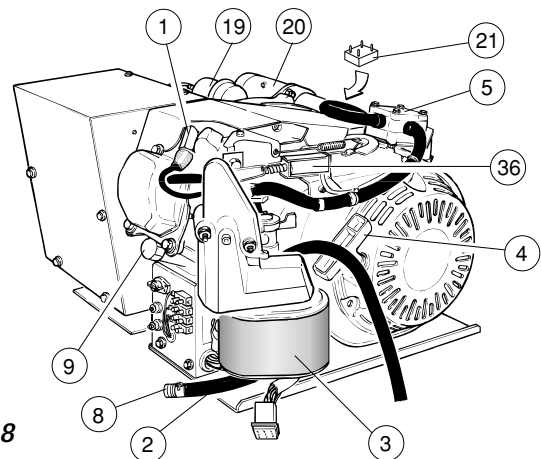


FIG. 8

